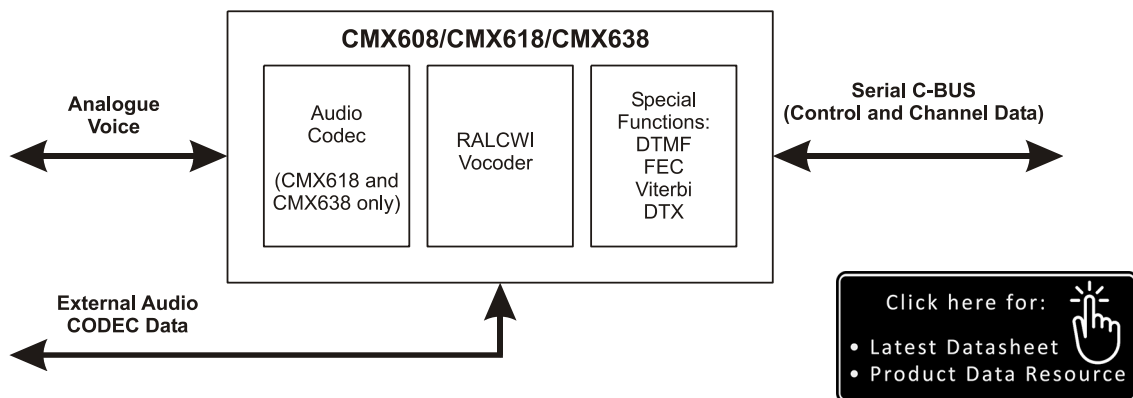


## Features

- Near Toll Quality RALCWI Coding Algorithm
- Multiple Bit Rate Modes:
  - 2400 or 2750 bps
  - 3600 bps with FEC Enabled
- 4-bit Viterbi Soft Decision Decoding
- Integrated Audio CODEC (CMX618/CMX638 only)
- Integrated Input and Output Channel Filters
- 20ms, 40ms, 60ms and 80ms Packet Lengths
- No Licensing or Royalty Payments
- Ancillary Audio Functions:
  - Voice Activity Detector
  - Comfort Noise Generator
  - DTMF and Single Tone Regeneration
- 1.8V Low Power Operation, 3.3V Tolerant I/O
- Small 48-pin LQFP and VQFN Packages

## Applications

- Digital PMR, LMR, Voice Radio
- Digital Trunking
- DMR TDMA
- DMR FDMA, dPMR
- Digital Voice Scrambling and Encryption
- Digital WLL
- Voice Storage and Playback Systems
- Regenerative Digital Voice Repeaters
- Messaging Systems
- VoIP Systems
- Voice Pagers
- Half-Duplex Vocoding (CMX608/CMX618)
- Full-Duplex Vocoding (CMX638 only)



## 1. Brief Description

The CMX608/CMX618/CMX638 are flexible, high integration, high performance, RALCWI (Robust Advanced Low Complexity Waveform Interpolation) Vocoders, offering near toll quality voice at very low bit rates. A Forward Error Correction (FEC) engine provides optimum performance in real life applications. The RALCWI Vocoder comprises four independent functions which are selectable by the host: Voice Encoder, FEC Encoder, Voice Decoder and FEC Decoder. The CMX608 and CMX618 are half-duplex Vocoders and the CMX638 is a full-duplex Vocoder with integrated voice CODEC. The CMX618 includes an integrated voice CODEC, offering a complete analogue voice to low bit rate vocoded data function, with integrated channel filters removing the need for external components, whereas the CMX608 requires an external voice CODEC.

CMX608/CMX618/CMX638 operate from a dual power supply (1.8V and 3.3V) and are available in both 48-pin LQFP (L4) and 48-pin VQFN (Q3) packages.

*Continued overleaf .....*

In encode mode, the voice encoder uses a 20ms voice frame size with two programmable bit rates: 2400bps or 2750bps. The optional FEC encoder performs channel coding of the encoded voice (2400bps or 2750bps, depending on the selected mode) and forms an encoded, interleaved bit-stream of 3600bps (216 bits per 60ms packet or 288 bits per 80ms packet). The FEC operation utilises a packet of either 3 or 4 x 20ms Vocoder frames to provide optimum error correction performance.

In decode mode, the optional FEC decoder performs de-interleaving and channel decoding of the coded bit-stream (216 bits per 60ms packet or 288 bits per 80ms packet) and forms an error-corrected bit-stream of encoded voice at 2400bps or 2750bps rate, depending on the selected mode. The FEC decoder can optionally use "soft decision" metrics to improve its decoding ability. The voice decoder then converts the error-corrected bit-stream back into a digitised voice signal.

Soft Decision Decoding (SDD), Discontinuous Transmission detection (DTX), Voice Activity Detection (VAD) and Comfort Noise Generation (CNG) functions are also included, to further enhance the overall performance. Single (STD) and Dual (DTMF) Tones can be detected and sent separately in the coded bit-stream, then regenerated at the far end.

New features and enhancements to existing functions may be provided from time to time, expanding the capabilities of the Vocoder. These are provided as Function Images™, a hex format file that can be loaded via the C-BUS at run-time. Function Images™ can be downloaded from the CML Portal, a secure area of the CML website. Details of currently available Function Images™ can be found in the CMX608/CMX618/CMX638 Product page on the CML website.

## CONTENTS

<u>Section</u>	<u>Page</u>
<b>1. Brief Description .....</b>	<b>1</b>
<b>2. Block Diagram .....</b>	<b>5</b>
<b>3. Signal List .....</b>	<b>6</b>
<b>4. External Components .....</b>	<b>9</b>
4.1. PCB Layout Guidelines and Power Supply Decoupling .....	11
4.2. Audio CODEC External Components (CMX618/CMX638 only) .....	12
<b>5. General Description .....</b>	<b>13</b>
5.1. Initialisation .....	14
5.2. Encoder .....	15
5.2.1. Single Frame Packet, without FEC, STD or DTMF .....	15
5.2.2. Multiple Frame Packet with FEC, but without STD or DTMF .....	16
5.3. Decoder .....	16
5.3.1. Single Frame Packet, without FEC, STD or DTMF .....	17
5.3.2. Multiple Frame Packet with FEC, but without STD or DTMF .....	19
5.4. Overall Signal Latency .....	20
5.5. Vocoder Data Format and Bit Order .....	20
5.5.1. Packets of Raw Vocoder Frames .....	20
5.5.2. Packets of FEC Protected Frames .....	22
5.6. External CODEC Support .....	23
5.7. Operation with DTMF (Dual Tone Multi-Frequency) .....	26
5.7.1. DTMF Transmit .....	26
5.7.2. DTMF Receive .....	26
5.7.3. DTMF Format .....	27
5.8. Operation with STD (Single Tones) .....	28
5.9. C-BUS Interface .....	29
5.10. C-BUS Registers .....	32
5.10.1. Command Registers .....	32
5.10.2. 8 Bit Write-Only Registers .....	33
5.10.3. 8 Bit Read-Only Registers .....	44
5.10.4. 16-bit Write-Only Registers .....	46
5.10.5. 16-bit Read-Only Registers .....	51
<b>6. Application Notes .....</b>	<b>55</b>
6.1. Basic Operation of the Vocoder .....	55
6.2. FEC and LLR Decoding .....	57
6.3. DTX and SID Functions .....	57
6.4. Single Tone Transfer .....	57
6.5. Slip Management .....	57
6.6. Setting the Watermarks for the Vocoder Data Input (Output) FIFOs .....	59
6.7. Download Protocol for Function Images™ .....	59
6.8. Using the PLEVEL register to set the Input Gain .....	60
<b>7. Performance Specification .....</b>	<b>61</b>
7.1. Electrical Performance .....	61
7.1.1. Absolute Maximum Ratings .....	61
7.1.2. Operating Limits .....	61
7.1.3. Operating Characteristics .....	62
7.2. Packaging .....	68

<u>Table</u>	<u>Page</u>
Table 1 Clock/Crystal Selection .....	10
Table 2 DTMF - Format 1.....	27
Table 3 Standard DTMF Keypad Layout.....	28
Table 4 DTMF - Format 2.....	28
Table 5 C-BUS Register Addresses.....	31
Table 6 Decoder Packet Description.....	43
Table 7 Encoder Packet Description.....	45
<u>Figure</u>	<u>Page</u>
Figure 1 Block Diagram.....	5
Figure 2 CMX608 Recommended External Components.....	9
Figure 3 CMX618/CMX638 Recommended External Components.....	10
Figure 4 CMX618/CMX638 Power Supply and De-coupling.....	11
Figure 5 Recommended External Components – Differential CODEC Inputs.....	12
Figure 6 Recommended External Components – Single-ended CODEC Inputs.....	12
Figure 7 Recommended External Components – CODEC Output.....	12
Figure 8 Single Frame Packet Encoding.....	15
Figure 9 Multiple Frame Packet Encoding.....	16
Figure 10 Single Frame Packet Decoding.....	18
Figure 11 Single Frame Packet Decoding with Host Jitter.....	18
Figure 12 Single Frame Packet Decoding with Host Jitter (Increased IDD).....	19
Figure 13 Multiple Frame Packet Decoding.....	19
Figure 14 Overall Signal Latency.....	20
Figure 15 PCM3500 Interface.....	25
Figure 16 Basic C-BUS Transactions.....	29
Figure 17 C-BUS Data-Streaming Operation.....	30
Figure 18 C-BUS Timing.....	66
Figure 19 CODEC (SSP) Port Timing (Slave Mode).....	66
Figure 20 ADC Input Filter - Typical Response.....	67
Figure 21 DAC Output Filter - Typical Response.....	67
Figure 22 48-pin LQFP Mechanical Outline (L4).....	68
Figure 23 48-pin VQFN Mechanical Outline (Q3).....	69

It is always recommended that you check for the latest product datasheet version from the Datasheets page of the CML website: [<http://www.cmlmicro.com/>].

#### History

<b>Version</b>	<b>Changes</b>	<b>Date</b>
11	<ul style="list-style-type: none"> <li>Editorial improvements</li> </ul>	19.09.14
10	<ul style="list-style-type: none"> <li>Corrected the lack of termination of the SYNC pin (pin 25)</li> </ul>	31.07.12
9	<ul style="list-style-type: none"> <li>Corrected minor errors and the table definition of bits 2, 3 in section 5.10.1.</li> </ul>	19.05.09
8	<ul style="list-style-type: none"> <li>Clarified the function of the ENABXTAL and RESETN/General Reset functions.</li> <li>Added power supply ground plane layout drawing.</li> </ul>	12.12.08
7	<ul style="list-style-type: none"> <li>Clarification of when to write packets in full duplex mode</li> <li>Information added about loading Function Images™ into the device</li> <li>Clarification on choice of Xtal and Clock speed</li> <li>Clarification on use of the CLOCK and DTMFATTEN registers</li> <li>Information added about use of the PLEVEL (peak level) register</li> <li>Corrections to "Basic Operation of the Vocoder" (section 6.1) and to "Download Protocol for Function Updates" (section 6.7)</li> <li>Typical I<sub>DD</sub> Digital current consumption figure amended for full duplex mode</li> <li>Correction to the description of dPMR frames in section 5.4.2</li> </ul>	18.07.08
6	<ul style="list-style-type: none"> <li>First Release of document with CMX638 (full-duplex device) included</li> </ul>	19.03.08

## 2. Block Diagram

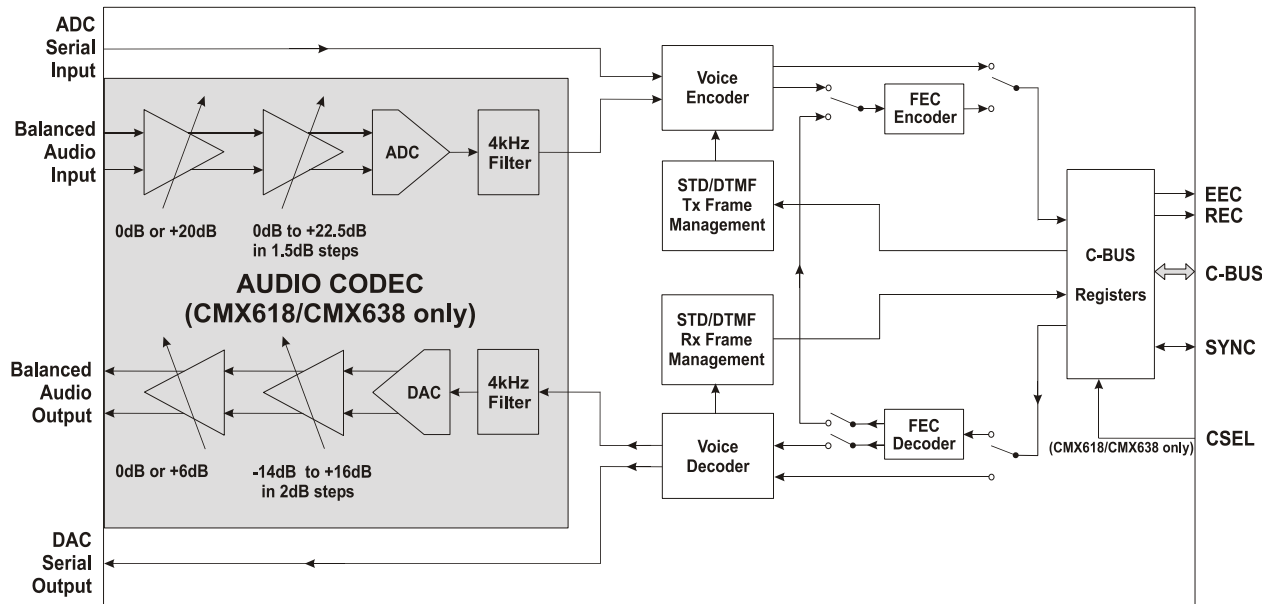


Figure 1 Block Diagram

### 3. Signal List

CMX608/ CMX618/ CMX638 L4/Q3	Signal		Description
	Pin No.	Name	
1	AV <sub>DD</sub>	Power	CMX618/CMX638: Analogue Positive Power Supply 3.3V
			CMX608: Not used (connect to IOV <sub>DD</sub> )
2	AV <sub>SS</sub>	Power	CMX618/CMX638: Analogue Negative Power Supply 0V
			CMX608: Not used (connect to V <sub>SS</sub> )
3	BIAS	Analogue Output	CMX618/CMX638: Analogue Bias (approximately 1.65 Volts)
			CMX608: Not used (leave unconnected)
4	V <sub>SSREF</sub>	Power	CMX618/CMX638: Analogue Negative Reference
			CMX608: Not used (connect to V <sub>SS</sub> )
5	INPUT P	Analogue Input	CMX618/CMX638: Audio CODEC Positive Input (self biased)
			CMX608: Not used (leave unconnected)
6	INPUT N	Analogue Input	CMX618/CMX638: Audio CODEC Negative Input (self biased)
			CMX608: Not used (leave unconnected)
7	AV <sub>DD</sub>	Power	CMX618/CMX638: Analogue Positive Power Supply 3.3V
			CMX608: Not used (connect to IOV <sub>DD</sub> )
8	AV <sub>SS</sub>	Power	CMX618/CMX638: Analogue Negative Power Supply 0V
			CMX608: Not used (connect to V <sub>SS</sub> )
9	V <sub>SSPA</sub>	Power	CMX618/CMX638: Output Amplifier Negative Power Supply 0V
			CMX608: Not used (connect to V <sub>SS</sub> )
10	OUT P	Analogue Output	CMX618/CMX638: Audio CODEC – Amplifier Positive Output
			CMX608: Not used (leave unconnected)
11	OUT N	Analogue Output	CMX618/CMX638: Audio CODEC – Amplifier Negative Output
			CMX608: Not used (leave unconnected)
12	V <sub>DDPA</sub>	Power	CMX618/CMX638: Output Amplifier Positive Power Supply 3.3V
			CMX608: Not used (connect to IOV <sub>DD</sub> )
13	V <sub>DD</sub>	Power	Digital Positive Power Supply 1.8V
14	IOV <sub>DD</sub>	Power	Digital I/O Positive Power Supply 3.3V
15	SDI	Digital Input	SSP port serial data input
16	SDO	Digital Output	SSP port serial data output
17	SCLK	Digital Input	SSP port serial clock input
18	STRB	Digital Input	SSP port serial strobe input

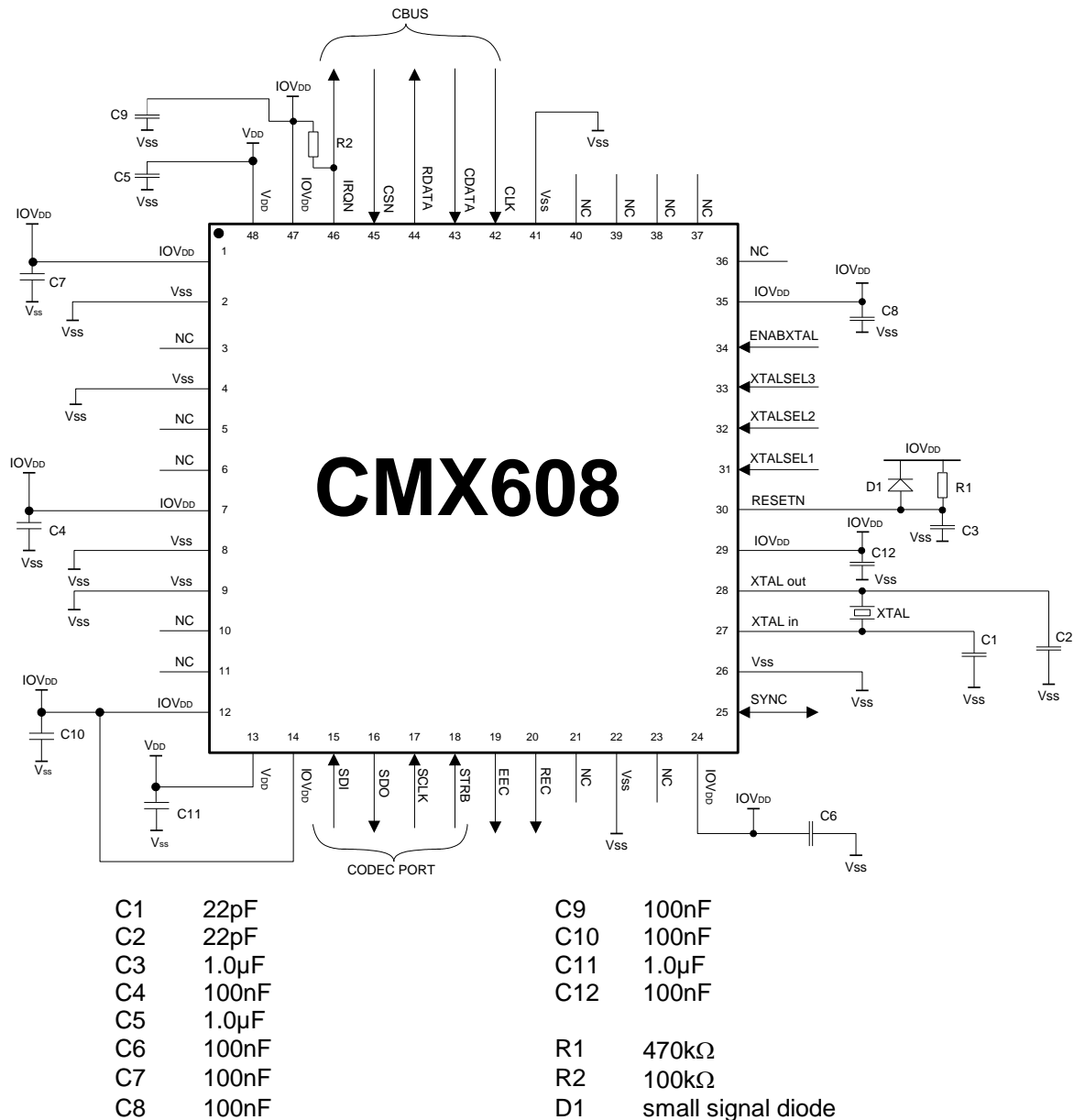
} CODEC PORT

CMX608/ CMX618/ CMX638 L4/Q3	Signal		Description
	Pin No.	Name	
19	EEC	Digital Output	Enable external CODEC, controlled by the C-BUS
20	REC	Digital Output	Reset external CODEC, controlled by the C-BUS
21	NC		Reserved for future use. Do not connect to this pin.
22	V <sub>SS</sub>	Power	Negative Power Supply 0V
23	NC		CMX608: Reserved for future use. Do not connect to this pin.
	CSEL	Digital Input	CMX618/CMX638: CODEC Select (Internal if '1', External if '0') This pin must be connected to either IOV <sub>DD</sub> or V <sub>SS</sub> .
24	IOV <sub>DD</sub>	Power	Digital I/O Positive Power Supply 3.3V
25	SYNC	Digital Input/Output	Synchronisation Input/Output. By default, this pin is an input and must be connected by the user to either IOV <sub>DD</sub> or V <sub>SS</sub> .
26	V <sub>SS</sub>	Power	Negative Power Supply 0V
27	XTALin	Input	Crystal Input
28	XTALout	Output	Crystal Output
29	IOV <sub>DD</sub>	Power	Digital I/O Positive Power Supply 3.3V
30	RESETN	Digital Input	General Reset (active low)
31	XTALSEL1	Digital Input	} These bits select the crystal/clock frequency, according to Table 1.
32	XTALSEL2	Digital Input	
33	XTALSEL3	Digital Input	
34	ENABXTAL	Digital Input	Enable Crystal Oscillator/External Clock Input
35	IOV <sub>DD</sub>	Power	Digital I/O Positive Power Supply 3.3V
36	NC		Reserved for future use. Do not connect to this pin.
37	NC		Reserved for future use. Do not connect to this pin.
38	NC		Reserved for future use. Do not connect to this pin.
39	NC		Reserved for future use. Do not connect to this pin.
40	NC		Reserved for future use. Do not connect to this pin.
41	V <sub>SS</sub>	Power	Negative Power Supply 0V
42	CLK	Digital Input	C-BUS Serial Clock
43	CDATA	Digital Input	C-BUS Command Data
44	RDATA	Tri-state Output	C-BUS Reply Data
45	CSN	Digital Input	C-BUS Chip Select (bar)
46	IRQN	Open Drain Digital Output	C-BUS Interrupt Request (bar)

CMX608/ CMX618/ CMX638 L4/Q3	Signal		Description	
	Pin No.	Name		Type
	47	IOV <sub>DD</sub>	Power	Digital I/O Positive Power Supply 3.3V
	48	V <sub>DD</sub>	Power	Digital Positive Power Supply 1.8V
EXPOSED METAL PAD	SUB	NC		On the Q3 package only, the central metal pad may be connected to Analogue Ground (Avss) or left unconnected. <b>No other electrical connection is permitted.</b>



## 4. External Components



- Notes:
1. On CMX608/CMX618/CMX638 devices, the crystal selection pins (XTALSEL1, XTALSEL2 and XTALSEL3) must be permanently tied to either IOV<sub>DD</sub> or V<sub>SS</sub> and not driven from a logic level output of the host  $\mu$ Controller (see Table 1 for a list of crystal frequencies). For 9.6MHz and 12.0MHz operation, either a crystal or a clock can be used. For all other frequencies, a clock must be injected into the XTALIN pin and the XTALOUT pin must be left unconnected.
  2. To use the CMX608/CMX618/CMX638, tie the ENABXTAL pin to IOV<sub>DD</sub>. If the ENABXTAL pin is connected to V<sub>SS</sub> it will force the device into a deep powersave mode, where the C-BUS interface and clock input (XTALIN) are disabled and the crystal oscillator is powered down.
  3. A single 10μF electrolytic capacitor may be fitted in place of C5 and C11, providing the two V<sub>DD</sub> pins are connected together on the pcb with an adequate width power supply trace.

**Figure 2 CMX608 Recommended External Components**

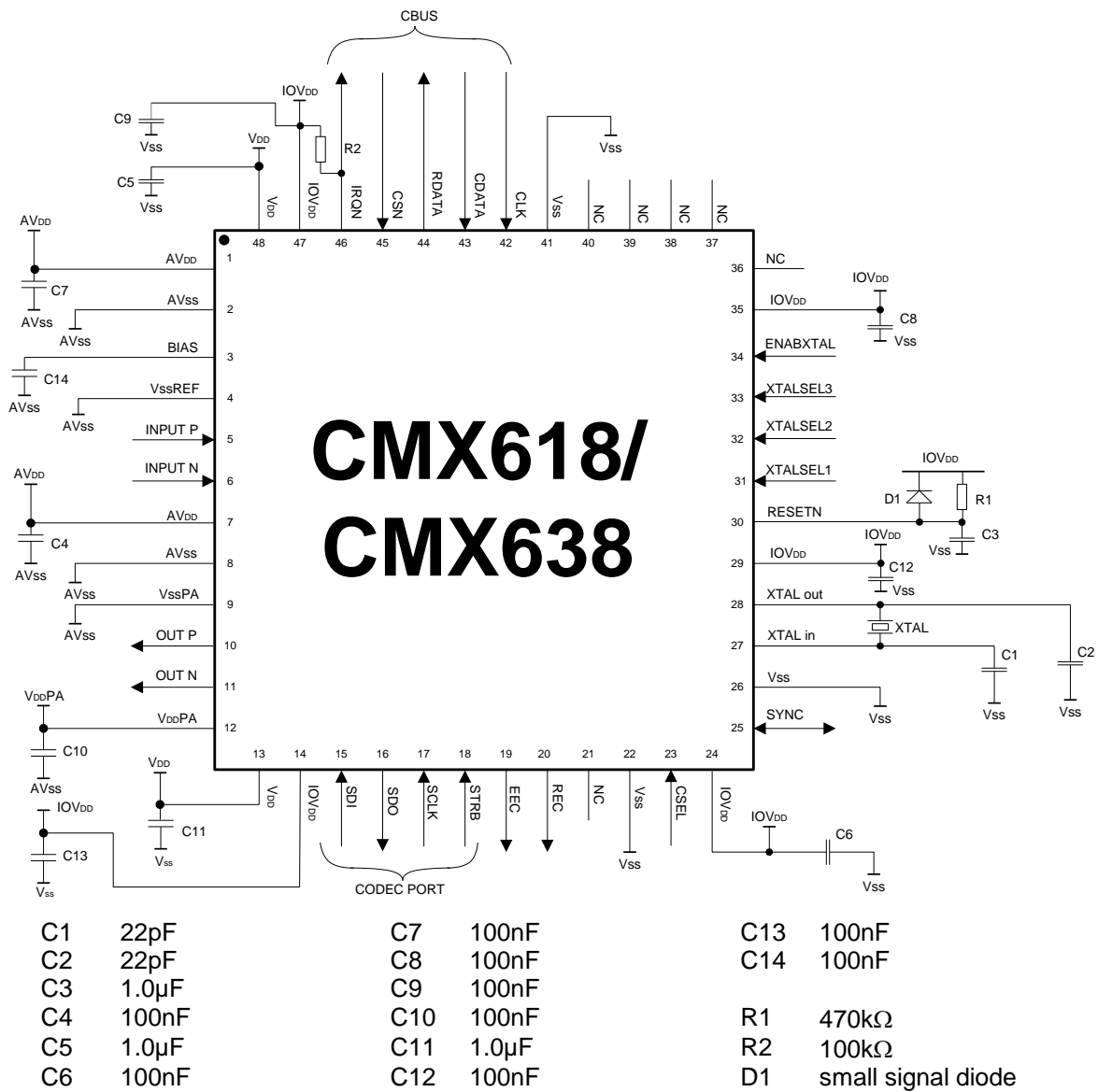
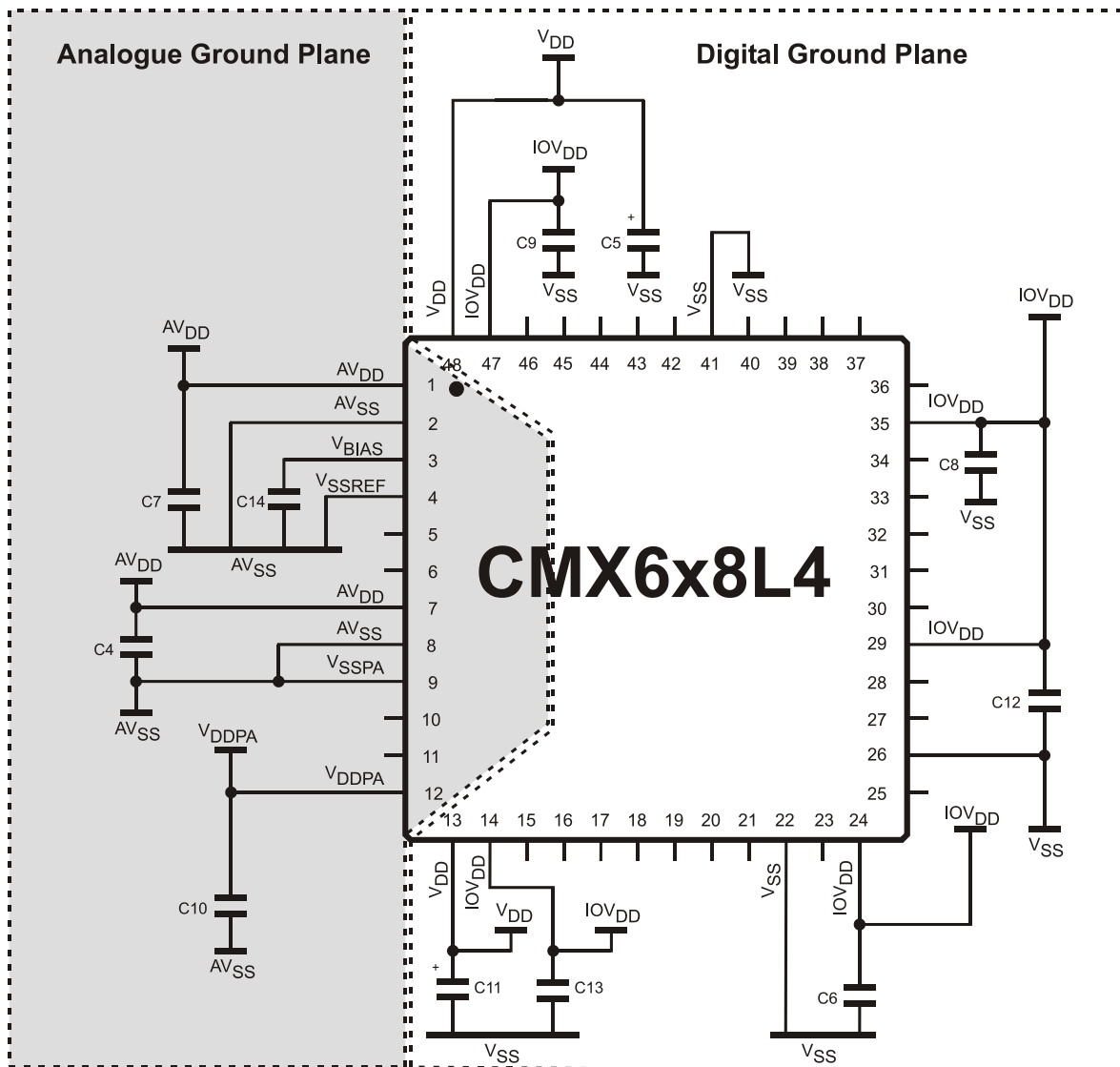


Figure 3 CMX618/CMX638 Recommended External Components

Crystal Select Input Pins:			Clock/Crystal Frequency	Clock/Crystal Choice
XTALSEL3	XTALSEL2	XTALSEL1		
0	0	1	9.6MHz	crystal or clock
0	1	0	12.0MHz	crystal or clock
0	1	1	14.4MHz	external clock only
1	0	0	16.8MHz	external clock only
1	0	1	19.2MHz	external clock only
1	1	0	21.6MHz	external clock only
1	1	1	24.0MHz	external clock only

Table 1 Clock/Crystal Selection

#### 4.1. PCB Layout Guidelines and Power Supply Decoupling



**Figure 4 CMX618/CMX638 Power Supply and De-coupling**

Component Values as per Figure 3.

##### Notes:

It is important to protect the analogue pins from extraneous inband noise and to minimise the impedance between the CMX618/CMX638 and the power supply and bias de-coupling capacitors. The de-coupling capacitors C4, C6, C7, C8, C9, C10, C12, C13 and C14 should be as close as possible to the CMX618/CMX638. It is therefore recommended that the printed circuit board is laid out with separate ground planes for the AV<sub>SS</sub> and (digital) V<sub>SS</sub> supplies in the area of the CMX618/CMX638, with provision to make links between them close to the CMX618/CMX638. The use of a multi-layer printed circuit board will facilitate the provision of ground planes on separate layers. The layout of a CMX608 printed circuit board should make use of a single ground plane covering the whole chip area shown above.

On CMX618/CMX638, V<sub>BIAS</sub> is used as an internal reference for detecting and generating the various analogue signals. It must be carefully decoupled, to ensure its integrity, so apart from the decoupling capacitor shown, no other loads should be connected. If V<sub>BIAS</sub> needs to be used to set an external mid-point reference, it must be buffered with a high input impedance buffer.

#### 4.2. Audio CODEC External Components (CMX618/CMX638 only)

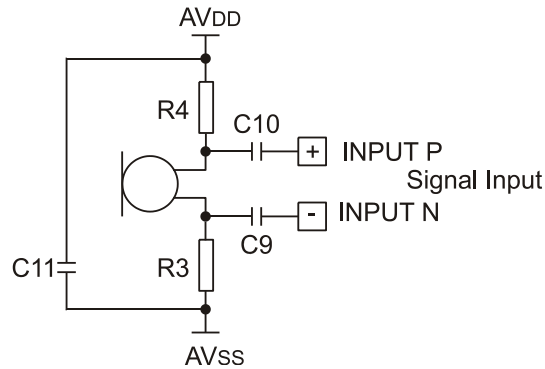


Figure 5 Recommended External Components – Differential CODEC Inputs

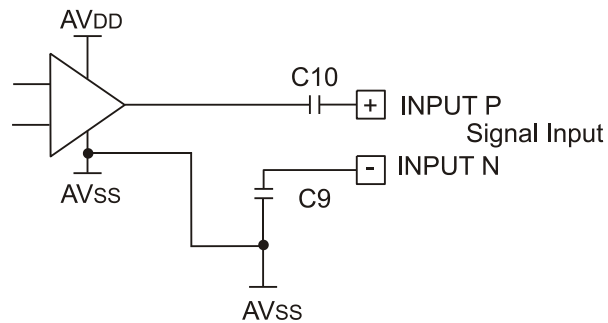


Figure 6 Recommended External Components – Single-ended CODEC Inputs



**Note:** Care should be taken to avoid shorting OUP and OUTN together, or shorting either OUP or OUTN to Vss or Vdd. An external RC filter could be added across the OUP and OUTN pins if clock noise needs further reduction.

C9	470nF
C10	470nF
C11	1.0 $\mu$ F
C12	100 $\mu$ F
R3	1.0k $\Omega$
R4	1.0k $\Omega$

Figure 7 Recommended External Components – CODEC Output

## 5. General Description

The CMX608/CMX618/CMX638 are a pin-compatible family of near toll quality voice encoders/decoders (Vocoders). The voice encoding/decoding is performed by a new, low data rate algorithm which is based on Robust Advanced Low Complexity Waveform Interpolation (RALCWI) technology. The data rate is selectable between 2400bps or 2750bps (all without FEC) or 3600bps (with FEC). The frame length is selectable from 20ms, 40ms, 60ms or 80ms (all without FEC) or from 60ms or 80ms (with FEC). The integral Viterbi FEC decoder can optionally use "soft decision" metrics to improve its decoding ability if the signal can be applied in a 4-bit digital representation of the received/demodulated analogue signal. The FEC can also be used on its own, so that data can be decoded/error-corrected then re-encoded and forwarded on. This allows use in a digital voice repeater.

RALCWI technology uses unique proprietary signal decomposition and parameter encoding methods, ensuring high voice quality at high compression ratios. The voice quality of RALCWI-class Vocoders, as estimated by independent listeners, is similar to that provided by standard Vocoders running at bit rates above 4000 bps. The Mean Opinion Score (MOS) of voice quality for this Vocoder is about 3.5-3.6. This value was determined by a paired comparison method, performing listening tests of developed and standard voice Vocoders.

The RALCWI Vocoder operates on a "frame-by-frame" basis. The 20ms source voice frame consists of 160 samples of linear 16-bit PCM sampled at 8kHz. The Voice Encoder performs voice analysis at the high time resolution (8 times per frame) and forms a set of estimated parameters for each voice segment. All of the estimated parameters are quantized to produce 48- or 55-bit frames, using Vector Quantization (VQ) of different types. All of the vector quantizers were trained on a mixed multi-language voice base, which contains voice samples in both Eastern and Western languages.

Voice parameters are coded by the Voice Encoder with high efficiency. Sensitivity to errors is estimated for each output bit and a bit frame is split into two parts: "more sensitive to errors" and "less sensitive to errors". To protect the voice parameters against channel errors without reducing voice quality, the "more sensitive" bits are protected. Such protection is provided by the FEC Encoder/Decoder mechanism. The Voice Decoder de-quantizes the parameters and re-synthesizes the voice.

Control of the CMX608/CMX618/CMX638 is over a C-BUS serial port from the host  $\mu$ C. On the CMX618/CMX638 only, the CSEL pin allows the selection of an internal or external CODEC, by connecting the CSEL pin to either IOV<sub>DD</sub> or V<sub>SS</sub> respectively. If the internal CODEC is selected, the SDI, STRB and SCLK pins should be connected to V<sub>SS</sub>. Synchronisation to the host  $\mu$ C is by use of either the (rising-edge active) SYNC input or by writing to the SYNC register (\$02). All major data paths are buffered in each direction with FIFO registers. The SSP port, which is used for the external ADC serial input and DAC serial output, is buffered in this way, as is the data to and from the CODEC (CMX618/CMX638 only) and also the vocoded data which is streamed into and out of the C-BUS interface. The management of these FIFOs is handled automatically and does not require any user intervention, other than the supply or consumption of data at the appropriate rate.

On the CMX618/CMX638 only, a voice CODEC is included, consisting of a microphone input to an ADC and a DAC with an earpiece output. A variable gain stage is associated with each converter. The differential input stage includes 20dB of switchable gain, for use as a microphone pre-amplifier. The input gain blocks are provided to allow for inputs from different microphone or other audio devices. At the very highest gain combinations, the input noise may start to be significant. In this case, users may wish to consider an external low-noise preamplifier prior to the differential input stage. For most applications this will not be necessary. The differential output stage includes 6dB of switchable gain. By using the output stage in a differential configuration, a further 6dB of gain can be achieved. Both input and output stages include a high-order digital channel filter, to constrain the input and output signals to an audio bandwidth of 4kHz. See Figure 20 and Figure 21 for further details. This avoids the necessity of adding external third (or higher) order filters, thus saving external components. A small number of external components, as shown in Figure 5, Figure 6 and Figure 7 is all that is required to implement the analogue interfaces to the CMX618/CMX638 voice CODEC.

The CMX608 (and the CMX618/CMX638, if the internal CODEC is not selected) provides a synchronous serial port (SSP), enabling a wide range of external CODECs to be used with this device. Two digital outputs, EEC and REC, can be used to enable and reset the external CODEC. They are controlled by bit 0 (EEC) and bit 1 (REC) of the EXCODECCONT register (\$0B). On the CMX618/CMX638 only, when the internal CODEC is selected, these pins are available as uncommitted digital outputs instead.

In CMX608/CMX618/CMX638, DTMF and single tones (STD) can be sent and received reliably over a noisy channel by using the special control codes, see section 5.7. Both devices feature a DTX (Discontinuous Transmission) mode, where an integral Voice Activity Detector in the encoder will send SID (Silence Insertion Description) data to the decoder, which will perform Comfort Noise Generation.

The CMX608 and CMX618 devices can operate in a mode that reduces the current consumption when the device is not actively being used, at the expense of a small reduction in maximum C-BUS SCLK frequency and an increase in the difference between the peaks and troughs of current consumption when running.

This mode is known as 'clock-throttling', where the vocoder's internal clock rate is automatically set to a quarter of its normal value when the device is waiting for samples or packets, i.e. not actively engaged in encoding or decoding. Clock throttling is not available on the CMX638.

This mode is enabled by setting bit 4 of the POWERSAVE register (\$09) to '1' after the device has been reset. The typical overall current consumption with "clock throttling" enabled can be calculated from the following figures:

$$(3.3V) I_{DD} \text{ Total} = I_{DD} \text{ IODigital} + I_{DD} \text{ Analogue} + I_{DD} \text{ Analogue PA} = 7.8 \text{ mA when encoding}$$

$$(3.3V) I_{DD} \text{ Total} = I_{DD} \text{ IODigital} + I_{DD} \text{ Analogue} + I_{DD} \text{ Analogue PA} = 4.1 \text{ mA when decoding.}$$

$$(1.8V) I_{DD} \text{ Total} = I_{DD} \text{ Digital} = 33.0 \text{ mA when encoding and} = 20.0 \text{ mA when decoding}$$

For the CMX638, clock throttling is not possible, so the typical Full-duplex current consumption figures are:

$$(3.3V) I_{DD} \text{ Total} = I_{DD} \text{ IODigital} + I_{DD} \text{ Analogue} + I_{DD} \text{ Analogue PA} = 11.3 \text{ mA}$$

$$(1.8V) I_{DD} \text{ Total} = I_{DD} \text{ Digital} = 49.0 \text{ mA}$$

## 5.1. Initialisation

On first applying power, three actions have to be performed: the crystal oscillator has to start up (if used), the bias chain has to be powered up (CMX618/CMX638 only), so that the decoupling capacitor (C14) has charged to  $AV_{DD} / 2$ , and on-chip digital circuits have to be reset into a known state. The crystal oscillator typically takes much less than 20ms to start up, but the actual time will depend on the ESR of the crystal used. With the components shown in Figure 3, the BIAS pin will take 100ms typically to reach its steady-state value of  $AV_{DD} / 2$ . There are two sources of reset:

- pulling the RESETN signal (pin 30) to '0' for at least 200ns, then returning it to '1' (the pin does not have an internal pullup resistor). Note that the device does not have an automatic power-up reset.
- writing to the C-BUS RESET register (\$01). This is a 1-byte command which has no data.

A hard reset (taking RESETN low) will also force the ENABXTAL signal low, which disables the clock and powersaves the crystal oscillator. On first applying power, the RESETN pin should be held low until all the power supplies have stabilised, to ensure correct operation of the device. When coming out of a hard reset, the device needs the crystal oscillator to be working, then counts 65,536 clock cycles (= 5.4ms delay with a 12.0MHz clock), then automatically performs a soft reset by writing to the C-BUS RESET register.

A soft reset (writing to the RESET register) will clear all registers to '0', unless noted otherwise – in which case the default settings are restored. The device will be ready to accept C-BUS commands approximately 1.5ms after completion of the soft reset action and will indicate that it is ready by setting bit 15 of the STATUS register (\$40) to '1' and also by indicating a C-BUS interrupt request by pulling the IRQN pin low. Note that on reset, the IRQENAB register (\$1F) bit 15 will automatically be set to '1', thus enabling the RDY interrupt to activate the IRQN pin. Refer also to section 6.1 for a description of the start-up sequence.

Connecting the ENABXTAL pin to VSS when the device is operational will force the device into a power-save mode where the C-BUS interface and clock input (XTALIN) are disabled and the crystal oscillator is powered down. However, the BIAS pin and C-BUS registers are not disturbed, so normal operation can be resumed by re-connecting the ENABXTAL pin to  $IOV_{DD}$  and waiting for the crystal oscillator to re-start.

## 5.2. Encoder

The encoder deals with a basic frame size of 20ms, 160 samples, of audio. 1, 2, 3, or 4 frames may be collected together and supplied to the host as a single packet. In the case of the 3 and 4 frame packets, error protection may also be added with the FEC option. The encoder can also detect single tones (STD) and/or DTMF in the audio stream. If detected, special frames are produced which the decoder will recognise and deal with accordingly.

The exact rate at which packets are produced is dependant on the accuracy of the CODEC's sample rate. The nominal rate is every 20ms, or a multiple thereof, depending on the number of frames that make up the packet. For instance, a packet of 3 frames with FEC will be produced every 60ms. The algorithm used to encode voice has algorithmic jitter, i.e. it does not take the same amount of time to encode each frame. Some frames will take longer than others, consequently, the exact time that a packet will be available is not predictable. The encoder will notify the host as soon as a packet becomes available. Over a period of time the average rate will be every 20ms (or a multiple thereof) according to the CODEC's sample rate.

Once a packet of data becomes available, the host may read it straight away, or it can wait for a period of time. The packet will remain available until the next one is produced.

### 5.2.1. Single Frame Packet, without FEC, STD or DTMF

This is the simplest and most basic configuration. The encoder will produce a one-frame raw Vocoder packet every 20ms. Once the encode instruction is given, the device will collect 20ms (160 samples) worth of audio. These 160 samples will be given to the encoder to process. The processing of these samples will take no more than 15ms, therefore the first packet of data will be available no later than 35ms after the device was instructed to encode.

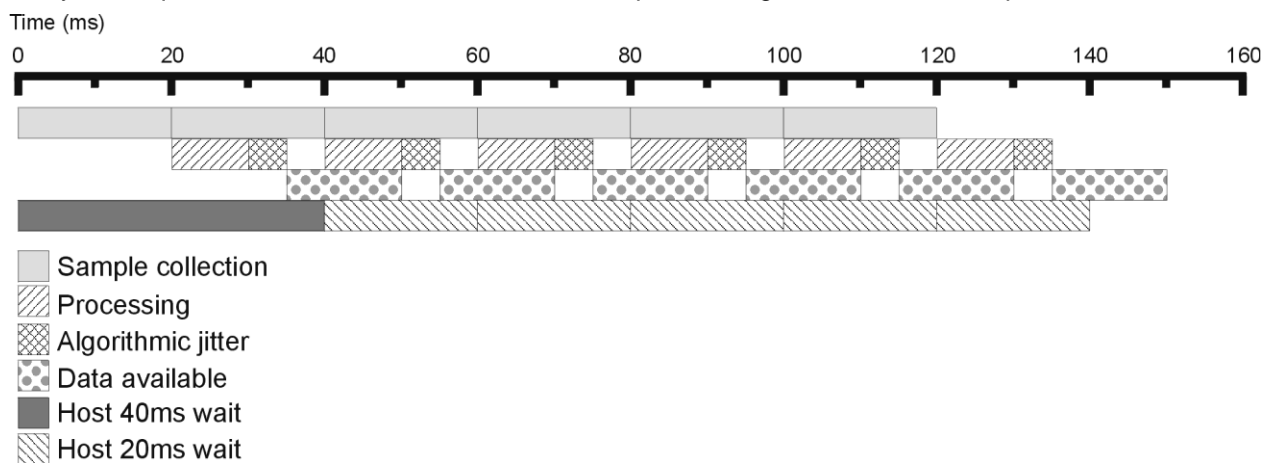
There are two basic strategies that can be adopted for servicing the encoder:

#### **Event-driven**

The host may use the C-BUS interrupt, IRQN, or poll the STATUS register, then read the Vocoder packet as soon as it becomes available. This is signified by bit 0 (VDA) of the STATUS register being set to '1'. The host may then choose to hold the packet in a buffer until the correct time to process it arrives. In the case of a voice recorder, the packet could be put into a storage device immediately. In the case of some sort of transmission (radio or network), the packet may be held until the correct time-slot arrives.

#### **Timed**

Assuming the host has an accurate 20ms timer derived from the same master clock as that supplied to the audio CODEC (this could be the Vocoder device, or an external CODEC), wait for a timer event and then instruct the device to encode. Wait for two more timer events, then read the first Vocoder packet. For every subsequent timer event, read another Vocoder packet. Figure 8 shows the sequence of events.



**Figure 8 Single Frame Packet Encoding**

This timed method may also be used where the host clock and CODEC clock are unrelated, in which case the host must supply a synchronising signal. Further details of slip management are given in section 6.5.

### 5.2.2. Multiple Frame Packet with FEC, but without STD or DTMF

This is the most suitable configuration for use in a wireless system where the channel is prone to bit errors. Two modes are available:

- 3 frame packet, which represents 60ms of voice. This mode is most suitable for TDMA/DMR.
- 4 frame packet, which represents 80ms of voice. This mode is most suitable for FDMA/DMR.

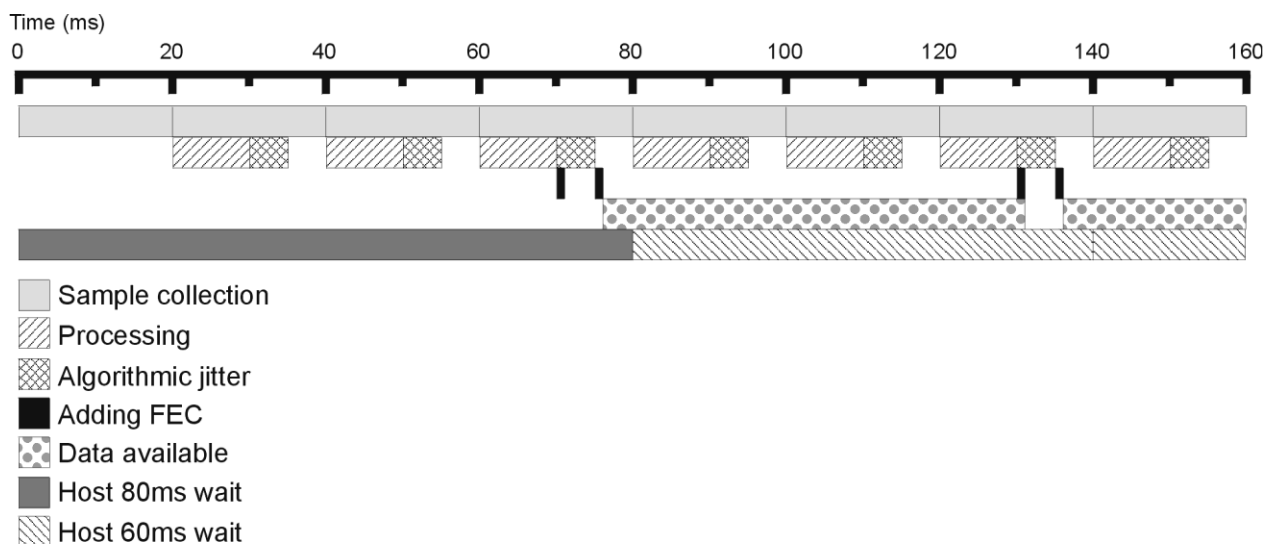
Figure 9 shows the 3 frame mode, but the principal applies equally to the 4 frame mode. There are two basic strategies that can be adopted for servicing the encoder:

#### Event-driven

This is exactly the same as for the single frame example. Bit 0 (VDA) in the STATUS (\$40) register will be set to '1' when an FEC protected frame becomes available. If interrupts are enabled then IRQN will also be pulled low.

#### Timed

It is assumed that the host has an accurate method of timing, as discussed in the single frame example. Instruct the device to encode. Wait for 80ms, then read the first Vocoder packet. Wait for 60ms before reading the next and subsequent packets.



**Figure 9 Multiple Frame Packet Encoding**

Figure 9 shows the sequence of events. Adding the FEC is shown twice, though it is only executed once. This is to show that it will start immediately after the 3<sup>rd</sup> vocoded frame is available - which depends on the algorithmic jitter for that frame.

In the case of 4 frame packets, the initial wait should be 100ms and the subsequent waits should be 80ms.

### 5.3. Decoder

Like the encoder, the decoder deals with a basic frame size of 20ms, 160 samples, of audio. 1, 2, 3, or 4 frames may be collected together and supplied to the decoder as a single packet. In the case of the 3 and 4 frame packets, error protection may also be included with the FEC option. FEC protected packets may contain either soft bits or hard bits. A soft-bit packet is 4 times the size of a hard-bit packet, as each soft-bit is represented by a nibble. The decoder can also detect special STD and DTMF frames and reproduce these as tones in the audio stream.



The exact rate at which packets must be presented is dependant on the accuracy of the CODEC's sample rate. The nominal rate is every 20ms, or a multiple thereof, depending on the number of frames that make up the packet. For instance, a packet of 3 frames with FEC will be produced every 60ms. The algorithm used to decode the encoded voice has algorithmic jitter, i.e. it does not take the same amount of time to decode each frame. Some frames will take longer than others. An initial delay in sending samples to the CODEC, coupled with an output buffer, will ensure that the CODEC is not starved of samples. It is also possible for the decoder to indicate that a new packet should be presented for decoding, based upon the number of samples left in the output buffer.

### 5.3.1. Single Frame Packet, without FEC, STD or DTMF

This is the simplest and most basic configuration. The decoder will produce 20ms of audio for each single-frame raw Vocoder packet.

Once the decode instruction is given, the device will wait for single-frame raw Vocoder packets to arrive every 20ms. Once the first packet is received, the initial decoder delay timer will be started, the frame will be decoded into 20ms of audio samples and the resulting samples placed in the output buffer. After the samples have been placed in this buffer, the device will wait for the initial decoder delay (IDD) timer to expire before sending the first sample to the CODEC. After this initial delay, further samples are given to the CODEC at its sample rate. The initial delay is set to be greater than the maximum time it takes to decode a frame. This ensures that the CODEC will not be starved of samples if the subsequent frame takes longer to decode than the first frame. The default initial decoder delay is set to 64 samples (8ms), which is more than sufficient to cover the internal algorithmic jitter. If the host, either through its internal scheduling or as a result of any algorithmic jitter in any processing that has to occur (e.g. demodulation), cannot supply the packets at exactly the right time (even though the average interval is correct), this initial delay should be increased to cover the additional jitter. The IDD (\$0C) register has been provided in order to facilitate the adjustment of this delay.

The CMX608 and CMX618 can be configured to set the STATUS (\$40) register bit 8 (VDW *Vocoder Data Wanted*) to '1' whenever there are fewer than a certain number of samples left in the output buffer. This is controlled by the low and high watermarks, which are set by using the VDWHLWM (\$1E) register. When the number of samples left in the output buffer is less than or equal to the low watermark, VDW will be set to '1' (and a C-BUS interrupt will occur, if enabled). Once indicated, the VDW bit cannot be set again until the output buffer has had at least 'high watermark' samples in it. This hysteresis prevents constant indication or interrupts when the number of samples in the buffer is still less than the low watermark.

There are three basic strategies that can be adopted for driving the decoder:

#### **Event driven / Method 1**

The host may use the C-BUS interrupt, IRQN, or poll the STATUS register, then supply a Vocoder packet as soon as the VDW bit is set. For this method the low and high watermarks must be set to suitable values. As an example, given that the decoder algorithm will take no more than 8ms to process a frame, and that the host can respond to the STATUS register having its VDW bit set within 1 ms, the low watermark should be set for a time period of 9ms, where 9ms at 8000 samples per second equates to a period of 72 samples. The high watermark should be set to a few samples less than 160. This value is not critical, providing it is greater than the low watermark.

The host should send the first packet to the device, after which it should wait, either by polling or by making use of the C-BUS interrupt, for the VDW bit to be set to '1'. Once this bit is set, the next packet should be sent to the device. The process should be repeated for as long as there are packets to decode. This method is an ideal choice for a voice record/playback system.

#### **Event driven / Method 2**

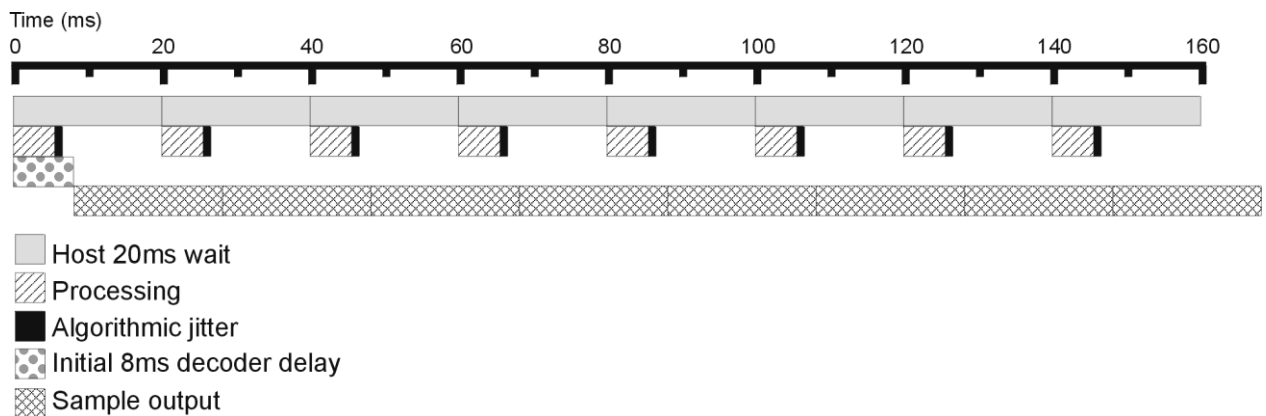
The device can be set up to produce a short pulse every 20ms on the SYNC pin (pin 25). This pulse can be used to signal an interrupt to the controlling host, which can then cause a packet of data to be sent to the Vocoder. The 20ms period is directly related to the sample rate of the internal CODEC. This will only work for a CMX618/CMX638 set up for using its internal CODEC. For the CMX608, or the

CMX618/CMX638 in external CODEC mode, the SYNC output is not available, so another method needs to be employed, e.g using a modulo 160 counter clocked by the CODEC frame sync.

### Timed

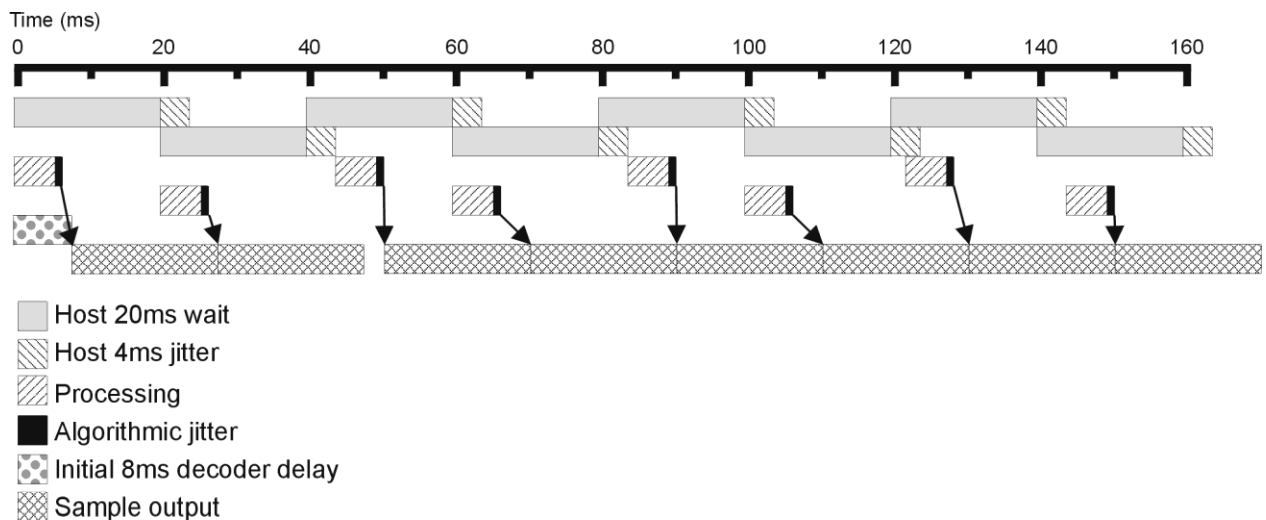
It is assumed that the host has an accurate 20ms timer, derived from the master clock of the system, which may or may not be synchronous with the audio CODEC. Wait for a timer event, instruct the device to decode, and then supply a packet for decoding. For every subsequent timer event, supply another packet for decoding. This is essentially the same as the event driven / method 2 above, the difference being that if the timer is not synchronous with the CODEC then the device's slip management feature will have to be employed. Further details of slip management are given in section 6.5.

The following diagrams show various aspects of the timed delivery of single-frame raw Vocoder packets for decoding.



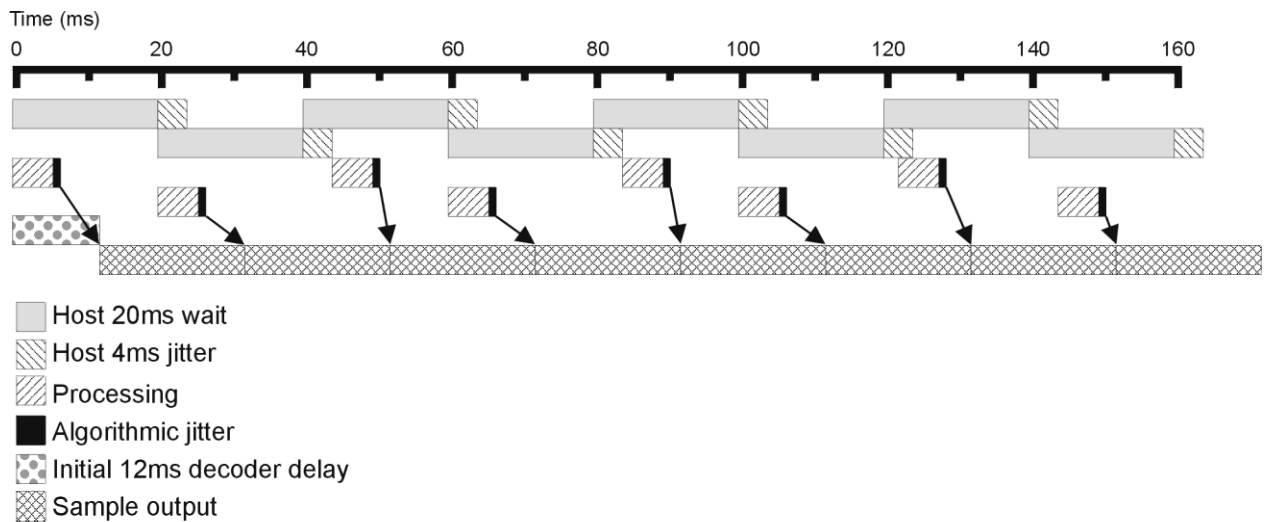
**Figure 10 Single Frame Packet Decoding**

Figure 10 shows the sequence of events including the initial decoder delay, which compensates for the decoder's algorithmic jitter.



**Figure 11 Single Frame Packet Decoding with Host Jitter**

Figure 11 shows the effect of 4ms of host jitter with a default value of 8ms for the initial decoder delay. After the second batch of samples there is a gap, where the worst case of early delivery followed by late delivery has caused the CODEC to be starved of samples. To avoid this situation, the IDD has to be increased.



**Figure 12 Single Frame Packet Decoding with Host Jitter (Increased IDD)**

Figure 12 is the same as the previous figure, but with an increased initial decoder delay. As can be seen, the CODEC is no longer starved of samples.

### 5.3.2. Multiple Frame Packet with FEC, but without STD or DTMF

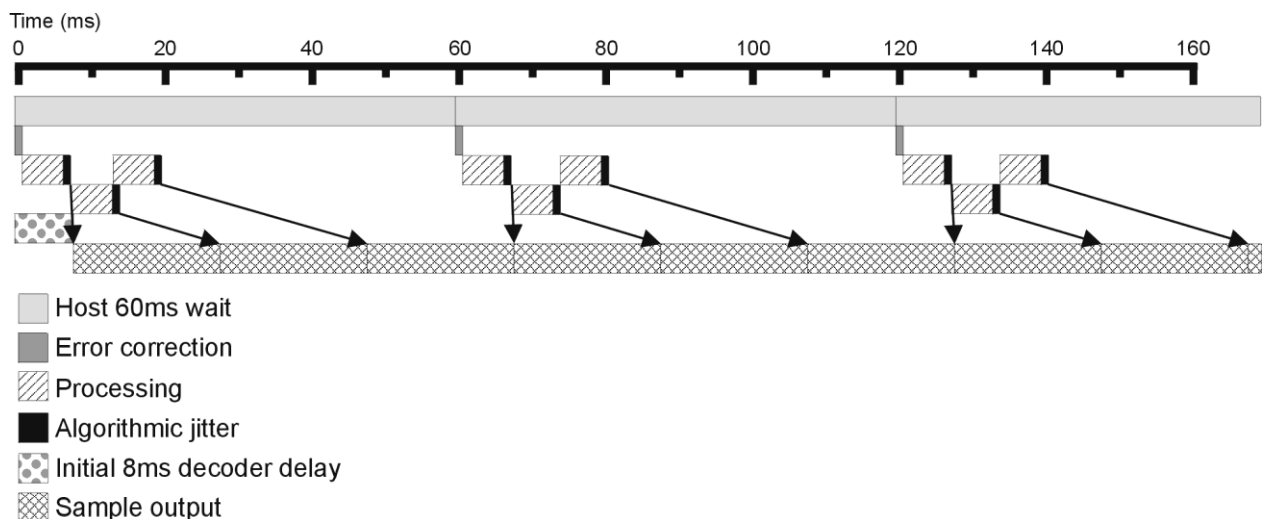
This is the most suitable configuration for use in a wireless system, where the channel is prone to bit errors. Two modes are available:

3 frame packet, which represents 60ms of voice. This mode is most suitable for TDMA/DMR.

4 frame packet, which represents 80ms of voice. This mode is most suitable for FDMA/DMR.

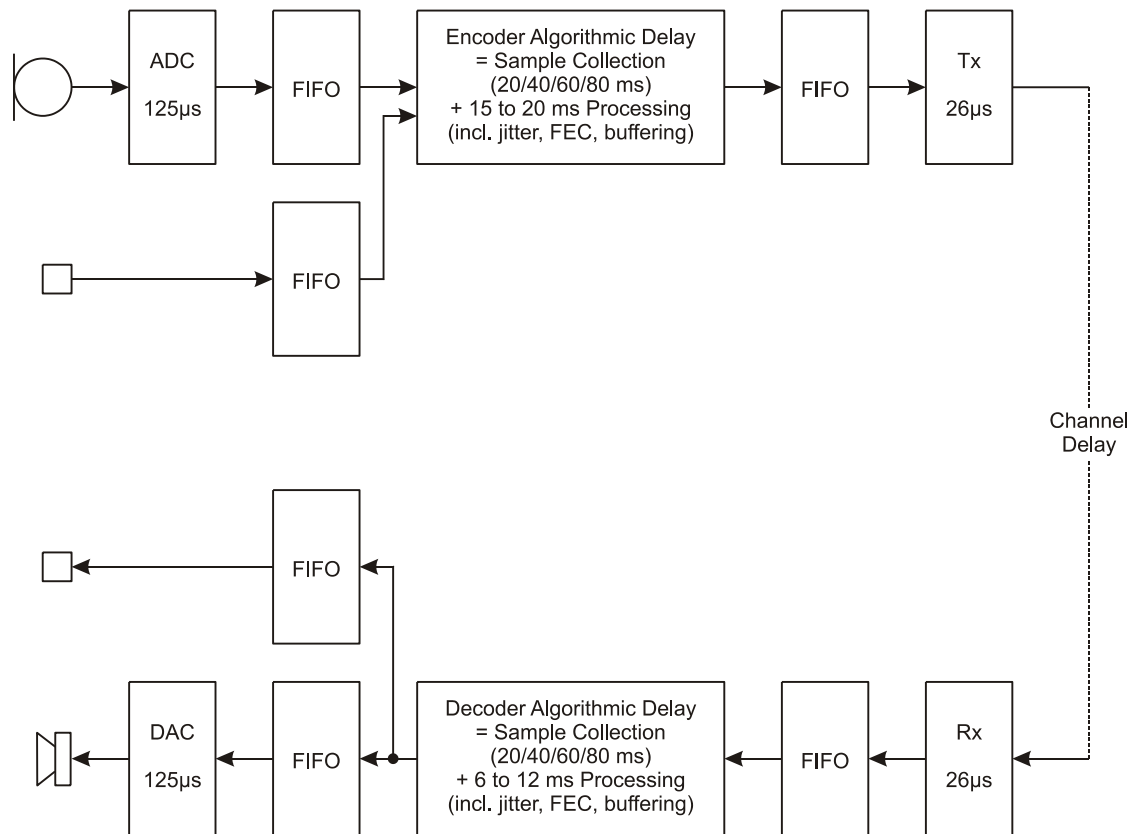
For each of these modes, the packets may contain either hard-bits or soft-bits.

Figure 13 shows a timed delivery method for the 3 frame mode, although the principal applies equally to the 4 frame mode. As in the above examples, if the host has some algorithmic jitter (which affects the exact time of packet delivery), then the IDD register should be used to increase the initial decoder delay.



**Figure 13 Multiple Frame Packet Decoding**

## 5.4. Overall Signal Latency



**Figure 14 Overall Signal Latency**

The overall latency of a signal through an encoder/decoder pair is shown diagrammatically in Figure 14.

## 5.5. Vocoder Data Format and Bit Order

Packets of both raw and FEC protected Vocoder data are transferred between the device and the host microprocessor over the byte-wide streaming C-BUS registers. The following sections describe how the data is organised for the various configurations.

### 5.5.1. Packets of Raw Vocoder Frames

The device can produce encoded voice at two different bit rates: 2400bps and 2750bps. The higher the bit rate, the more bits per 20ms are produced. These bits are packed into bytes for transfer over the C-BUS. For each bit rate, some of the bits produced are more sensitive to corruption and some are less sensitive. For applications where the in-built FEC protection is not going to be used, perhaps because the user already has an existing FEC system, the bits should be encapsulated in such a way that those which are more sensitive to corruption have the greatest protection. The bits in a frame are named B0, B1, B2 ... etc.

**2400bps**

A 20ms Vocoder frame consists of 48 bits. 24 bits are more sensitive and 24 bits are less sensitive. A single frame is transferred between the device and the host as 6 bytes. The table below shows the bit positions in the transferred bytes. The more sensitive bits are shown **white on black**. The byte at the top is the first out of the C-BUS for the encoder and the first into the C-BUS for the decoder.

7	6	5	4	3	2	1	0
B7	B6	B5	B4	B3	B2	B1	B0
B15	B14	B13	B12	B11	B10	B9	B8
B23	B22	B21	B20	B19	B18	B17	B16
B31	B30	B29	B28	B27	B26	B25	B24
B39	B38	B37	B36	B35	B34	B33	B32
B47	B46	B45	B44	B43	B42	B41	B40

There are no un-used bits in the packet. For multiple frame packets, each frame is 6 bytes and is read or written to the C-BUS in chronological order.

**2750bps**

A 20ms Vocoder frame consists of 55 bits. 23 bits are more sensitive and 32 bits are less sensitive. A single frame is transferred between the device and the host as 7 bytes. The table below shows the bit positions in the transferred bytes. The more sensitive bits are shown **white on black**. The byte at the top is the first out of the C-BUS for the encoder and the first into the C-BUS for the decoder.

7	6	5	4	3	2	1	0
B7	B6	B5	B4	B3	B2	B1	B0
B15	B14	B13	B12	B11	B10	B9	B8
B23	B22	B21	B20	B19	B18	B17	B16
B31	B30	B29	B28	B27	B26	B25	B24
B39	B38	B37	B36	B35	B34	B33	B32
B47	B46	B45	B44	B43	B42	B41	B40
x	B54	B53	B52	B51	B50	B49	B48

The most significant bit of the last byte is un-used. Its value is indeterminate. For multiple frame packets, each frame is 7 bytes (with 1 unused bit in the last byte) and is read or written to the C-BUS in chronological order.

### 5.5.2. Packets of FEC Protected Frames

The device has a built-in FEC system to protect the Vocoder frames when transported over an error prone channel. The data interleaving has been organised to provide good performance over a channel with burst errors, typical in wireless applications. Only the bits that are more sensitive to corruption are protected

FEC can be applied over 3 or 4 frames resulting in a packet of 216 or 288 bits, regardless of the Vocoder bit rate. The bits in the packet are named D0 through D215 (or D287). The bits should be transmitted in order, starting with D0 and ending with D215 (or D287).

#### **Hard-bits**

Hard bits are represented by one bit per bit. These are packed into 27 bytes for 3-frame FEC and 36 bytes for 4-frame FEC. The following table shows how these bits are packed and transferred between the Vocoder and the host microprocessor. The byte at the top is the first out of the C-BUS for the encoder and the first into the C-BUS for the decoder.

7	6	5	4	3	2	1	0
D0	D1	D2	D3	D4	D5	D6	D7
D8	D9	D10	D11	D12	D13	D14	D15
Intervening bits follow the same pattern							
D200	D201	D202	D203	D204	D205	D206	D207
D208	D209	D210	D211	D212	D213	D214	D215
For 4 frame packets, the sequence continues thus...							
D272	D273	D274	D275	D276	D277	D278	D279
D280	D281	D282	D283	D284	D285	D286	D287

#### **Soft-bits**

Soft bits are represented by one nibble per bit. These should be packed into 108 bytes for a 3-frame FEC and 144 bytes for a 4-frame FEC. The following table shows how these bits should be packed and sent to the decoder over the C-BUS. The byte at the top should be the first one sent. The bits of a nibble are shown as n3 to n0, with n3 being the most significant and n0 being the least significant.

7	6	5	4	3	2	1	0
n3	n2	n1	n0	n3	n2	n1	n0
D0				D1			
D2				D3			
Intervening bits follow the same pattern							
D212				D213			
D214				D215			
For 4 frame packets, the sequence continues thus...							
D284				D285			
D286				D287			

**TDMA/DMR**

The TDMA/DMR specification names the Vocoder socket bits VS0 to VS215 and states that bit VS215 is transmitted first. When using the RALCWI Vocoder in conjunction with TDMA/DMR, bit VS215 should be assigned Vocoder bit D0 and bit VS0 should be assigned Vocoder bit D215, with the intervening bits assigned in sequential order.

Vocoder socket bit assignments						
VS215	VS214	VS213	---->	VS2	VS1	VS0
D0	D1	D2	---->	D213	D214	D215

**FDMA/DMR (dPMR)**

In dPMR, each of the four frames constituting a super-frame (the basic element of data transfer) has a capacity of 36 bytes, suitable for transmission of an 80msec FEC-encoded Vocoder data packet. The frame data bits are always transmitted byte by byte with the MSB first, starting with either the FrameSync2 pattern, or the Colour Code (dependant on the frame number), followed by the control channel data and the payload data. In a Voice super-frame, the Vocoder data bits should be transmitted D0 first to D287 last within the payload data section of each of the four frames.

**5.6. External CODEC Support**

The CODEC supplies samples of audio for vocoding. On the CMX608, use of the CODEC port is mandatory, as there is no internal CODEC. On the CMX618/CMX638, use of the CODEC port is optional and the selection of internal or external CODEC is made automatically by examination of CSEL (pin 23). If it is pulled low during power-up or reset, an external CODEC will be selected. This selection can then only be changed by performing a reset operation.

An external CODEC (such as the Burr Brown PCM3500) can be supported via the 4-wire CODEC interface known as the Synchronous Serial Port (SSP). The CMX608 SSP consists of the following signals: synchronising clock (SCLK, pin 17), start of frame indicator (STRB, pin 18), data-in (SDI, pin 15) and data-out (SDO, pin 16). Both data and control information are transferred in to and out of the CODEC/SSP port 16-bits at a time. The transfer of data is illustrated in Figure 19. Additionally the CODEC may have Enable and Reset pins that can be connected to the EEC (pin 19) and REC (pin 20) pins of the CMX608. The state of these outputs is controlled by writing to the EXCODECCONT register (\$0B). On power-up, or after a general reset, the state of these two control signals will be low.

The SSP interface is flexible enough to drive a wide range of CODEC devices meeting the following basic specifications:

- 8k samples per second, 16 bit, linear.
- The SCLK must run at a higher frequency than the bit rate (>128kHz). There must be at least one complete SCLK cycle between the last bit of a sample and the next start of frame.
- Meet the constraints of the CODEC (SSP) port timing diagram.

Two C-BUS registers are used for the control and set-up of external CODECs. The external CODEC control register (EXCODECCONT) is used for starting and stopping the SSP, defining the operating conditions and managing the command FIFO. The external CODEC command register (EXCODECCMD) enables up to 16 command words to be specified, which will be sent to a CODEC after the SSP is started. The CMX608/CMX618/CMX638 include pre-set configurations for a popular CODEC: the Burr-Brown (Texas Instruments) PCM3500, as well as for a general-purpose configuration.

**PCM3500**

This CODEC should be supplied with a 4096MHz clock, giving a sample rate of 8ksample/s. The connections for this device are shown below and in Figure 15:

PCM3500			CMX608/CMX618/CMX638	
Pin	Name		Pin	Name
1	Vcom	Follow data sheet		
2	Vref1	Follow data sheet		
3	Vref2	Follow data sheet		
4	Vin	Follow data sheet		
5	AGND	Follow data sheet		
6	M/S	Pull high - Master mode		
7	TSC	Pull high - Time slot mode		
8	BCK	Connect to	17	SCLK
9	FS	Connect to	18	STRB
10	DIN	Connect to	16	SDO
11	DOUT	Connect to	15	SDI
12	FSO	Leave Unconnected		
13	Vdd	Follow data sheet		
14	DGND	Follow data sheet		
15	SCKIO	Follow data sheet		
16	XTO	Follow data sheet		
17	XTI	Follow data sheet		
18	HPFD	Follow data sheet		
19	LOOP	Follow data sheet		
20	PDWN	Connect to	20	REC
21	AGND	Follow data sheet		
22	Vout	Follow data sheet		
23	AGND	Follow data sheet		
24	Vcc	Follow data sheet		

The PCM3500 is started using the following sequence of instructions:

- Select the external CODEC type - PCM3500.  
Write \$45 (CODEC\_PCM3500) into the EXCODECCONT register (\$0B) and then wait for the RDY bit to be set in the STATUS register (\$40). If C-BUS interrupts are enabled for the RDY bit, then IRQN will go low as well - this applies to the rest of the sequence.
- Ensure that the CODEC is in its power-save/reset mode, the CODEC port (SSP) is disabled and the CODEC command FIFO is empty.



Write \$86 (ECC\_CODEC\_RESET) into the EXCODECCONT register and then wait for the RDY bit to be set in the STATUS register.

Write \$82 (ECC\_SSP\_STOP) into the EXCODECCONT register and then wait for the RDY bit to be set in the STATUS register.

Write \$83 (ECC\_FIFO\_CLEAR) into the EXCODECCONT register and then wait for the RDY bit to be set in the STATUS register.

- Start the CODEC port.

Write \$81 (ECC\_SSP\_START) into the EXCODECCONT register and then wait for the RDY bit to be set in the STATUS register.

- Bring the CODEC out of power-save/reset

Write \$87 (ECC\_CODEC\_START) into the EXCODECCONT register and then wait for the RDY bit to be set in the STATUS register.

To stop the device, for power saving, the following sequence should be used:

- Place the device into power-save.

Write \$88 (ECC\_CODEC\_PSAVE) into the EXCODECCONT register (\$0B) and then wait for the RDY bit to be set in the STATUS register (\$40)

To restart the device after power saving:

- Restart the CODEC port.

Write \$87 (ECC\_CODEC\_START) into the EXCODECCONT register and then wait for the RDY bit to be set in the STATUS register.

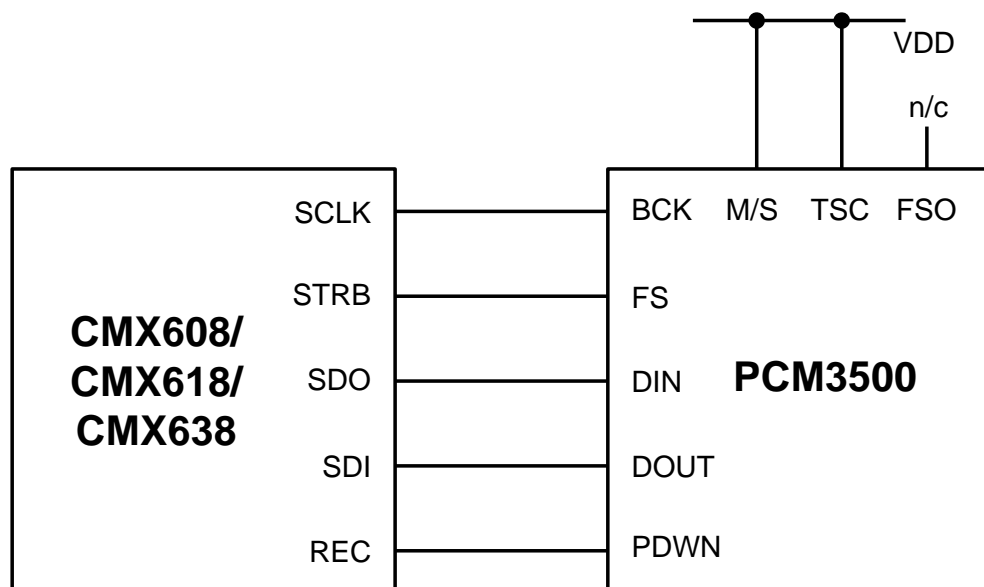


Figure 15 PCM3500 Interface

### Supporting other CODECs

CODECs other than the two detailed above can be used with this device, providing they meet the basic capabilities mentioned above.

There are three facts that must be established in order to successfully use a CODEC:

- Is the data sampled on the positive or the negative edge of the SCLK?
 

If the data is sampled on the positive edge of SCLK, choose either CODEC\_GENERIC1 or CODEC\_GENERIC2 as the CODEC type. If the data is sampled on the negative edge of SCLK, then choose either CODEC\_GENERIC3 or CODEC\_GENERIC4 as the CODEC type.
- Does the CODEC output 16 or more SCLKs before a frame sync?
 

If the CODEC outputs less than 16 SCLKs before the first frame sync, choose CODEC\_GENERIC2 or CODEC\_GENERIC4 as the CODEC type. If the CODEC outputs 16 SCLKs or more before the first frame sync, then choose CODEC\_GENERIC1 or CODEC\_GENERIC3 as the CODEC type.

The CODEC type to use is the choice that is common to both of the above.
- Does the CODEC require data to be sent to it for configuration?
 

If the CODEC requires configuration words to be sent to it to set it up, these should be loaded into the CODEC command FIFO.

Hardware control of the CODEC can be done by using the EEC and REC output pins. Either use the direct control commands REC/EEC (0,1,2,3) or use the individual control commands ECC\_???\_LOW/ECC\_???\_HIGH (\$89-\$8C). Using the generic CODEC settings means that the ECC\_CODEC\_RESET/ECC\_CODEC\_START/ECC\_CODEC\_PSAVE commands do nothing and therefore should not be used.

## 5.7. Operation with DTMF (Dual Tone Multi-Frequency)

The CMX608, CMX618 and CMX638 (in half-duplex mode only) can be enabled to send or receive DTMF. This facility is not available when the CMX638 is used in full-duplex mode.

### 5.7.1. DTMF Transmit

When the device is transmitting voice data (encoding), special DTMF data frames can replace the voice data frames. The DTMF data frames can be generated by one of two modes:

- Mode 1** DTMF (Tones) are detected and decoded to a 4-bit number. This 4-bit number is sent in the special DTMF data frames. In this mode, DTMF transmission is automated, i.e. if DTMF is detected then the DTMF data frame is sent, otherwise the voice data frames are sent. This mode is enabled by bit 11 (EDTMFD) in the VCTRL register (\$11).
- Mode 2** DTMF (Data) is entered directly as a 4-bit number in bits 0 to 3 of the SDTMF register (\$08). This 4-bit number is sent in the special DTMF data frames. In this mode, the duration of the DTMF data frames is specified (in terms of the number of frames) in bits 4 to 7 of the SDTMF register. Setting the duration to \$0 disables this feature. Setting the duration to \$F enables continuous DTMF.

If both modes are enabled then Mode 2 will take precedence.

### 5.7.2. DTMF Receive

When the device is receiving voice data (decoding), special DTMF data frames may replace the voice data frames. If DTMF is enabled in receive then DTMF data frames are automatically detected and can be used in one of two modes:

**Mode 1** The DTMF 4-bit number is detected from the DTMF data frame. The 4-bit code is made available in the DFRAMEDATA register (\$37) and is also re-synthesized as a tone at the output. This mode is enabled by setting bits 5 and 6 in the VCTRL register (\$11) to '1'.

**Mode 2** The DTMF 4-bit number is detected from the DTMF data frame. The 4-bit code is made available in the DFRAMEDATA register (\$37) and silence is output from the Codec. This mode is enabled by setting bit 5 in the VCTRL register (\$11) to '1' and by setting bit 6 in the VCTRL register to '0'.

The DTMF generators and detectors are provided so that commonly encountered tones can be reproduced naturally at the other end of a Vocoder link, rather than being interpreted as a form of speech. They should not be relied upon to provide an error free method of relaying tone signalling to other decoders, such as a telephone exchange DTMF detector, for example.

### 5.7.3. DTMF Format

The DTMF format is selected by bit 7 in the (Vocoder Configuration) VCFG register (\$07), according to the following tables:

**Format 1** This format is used when bit 7 of the VCFG register (\$07) is cleared to '0'.

Bit 3	Bit 2	Bit 1	Bit 0	Symbol
0	0	0	0	D
0	0	0	1	1
0	0	1	0	2
0	0	1	1	3
0	1	0	0	4
0	1	0	1	5
0	1	1	0	6
0	1	1	1	7
1	0	0	0	8
1	0	0	1	9
1	0	1	0	0
1	0	1	1	*
1	1	0	0	#
1	1	0	1	A
1	1	1	0	B
1	1	1	1	C

**Table 2 DTMF - Format 1**

**Format 2** This format corresponds with the row and column layout of a standard telephone keypad matrix. This format is used when bit 7 of the VCFG register (\$07) is set to '1'.

	1209Hz	1336Hz	1477Hz	1633Hz	Row Index Bit 3:2
697Hz	1	2	3	A	0
770Hz	4	5	6	B	1
852Hz	7	8	9	C	2
941Hz	*	0	#	D	3
Column Index Bit 1:0	0	1	2	3	

**Table 3 Standard DTMF Keypad Layout**

This results in the following table in ascending numerical order for the bit patterns.

Bit 3	Bit 2	Bit 1	Bit 0	Symbol
0	0	0	0	1
0	0	0	1	2
0	0	1	0	3
0	0	1	1	A
0	1	0	0	4
0	1	0	1	5
0	1	1	0	6
0	1	1	1	B
1	0	0	0	7
1	0	0	1	8
1	0	1	0	9
1	0	1	1	C
1	1	0	0	*
1	1	0	1	0
1	1	1	0	#
1	1	1	1	D

**Table 4 DTMF - Format 2**

### 5.8. Operation with STD (Single Tones)

The CMX608, CMX618 and CMX638 (in half-duplex mode only) can be enabled to send or receive single tones. This facility is not available when the CMX638 is used in full-duplex mode.

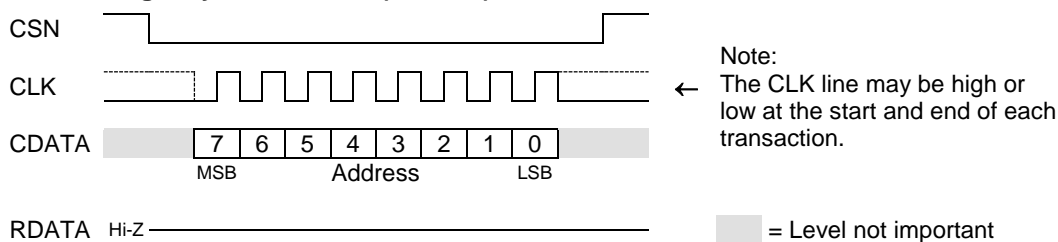
The STD generators and detectors are provided so that commonly encountered tones can be reproduced naturally at the other end of a Vocoder link, rather than being interpreted as a form of speech. They should not be relied upon to provide an error free method of relaying tone signalling to other decoders.

## 5.9. C-BUS Interface

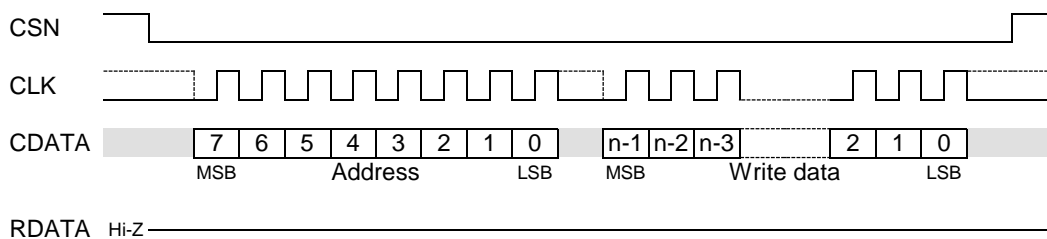
This block provides for the transfer of data and control or status information between the internal registers of the CMX608/CMX618/CMX638 and the host  $\mu\text{C}$ , by using the C-BUS serial bus. Each transaction consists of a single Register Address byte sent from the  $\mu\text{C}$ , which may be followed by a data word sent from the  $\mu\text{C}$  (written into one of the Write-Only Registers), or a data word sent to the  $\mu\text{C}$  (read out from one of the Read-Only Registers). All C-BUS data words are a multiple of 8 bits wide, the width depending on the source or destination register. Note that certain C-BUS transactions require only an address byte to be sent from the  $\mu\text{C}$ , no data transfer being required. The operation of the C-BUS is illustrated in Figure 16.

Data sent from the  $\mu\text{C}$  on the CDATA (command data) line is clocked into the CMX608/CMX618/CMX638 on the rising edge of the CLK input. Data sent from the CMX608/CMX618/CMX638 to the  $\mu\text{C}$  on the RDATA (reply data) line is valid when CLK is high. The CSN line must be held low during a data transfer and kept high between transfers. The C-BUS interface is compatible with most common  $\mu\text{C}$  serial interfaces and may also be easily implemented with general purpose  $\mu\text{C}$  I/O pins controlled by a simple software routine. Figure 18 gives detailed C-BUS timing requirements.

### C-BUS single byte command (no data)



### C-BUS n-bit register write (n, a multiple of 8, depends on the type of C-BUS transaction)



### C-BUS n-bit register read (n, a multiple of 8, depends on the type of C-BUS transaction)

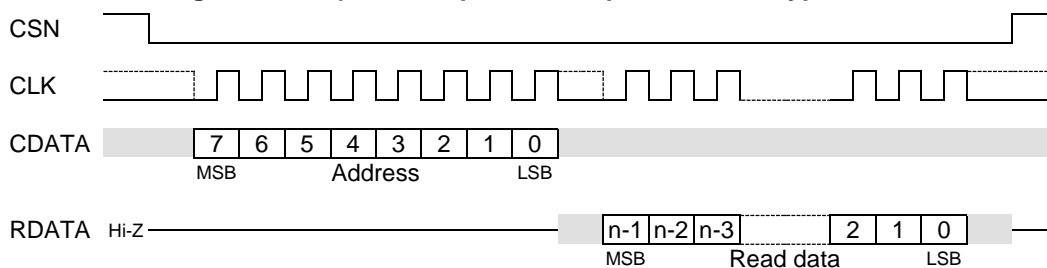
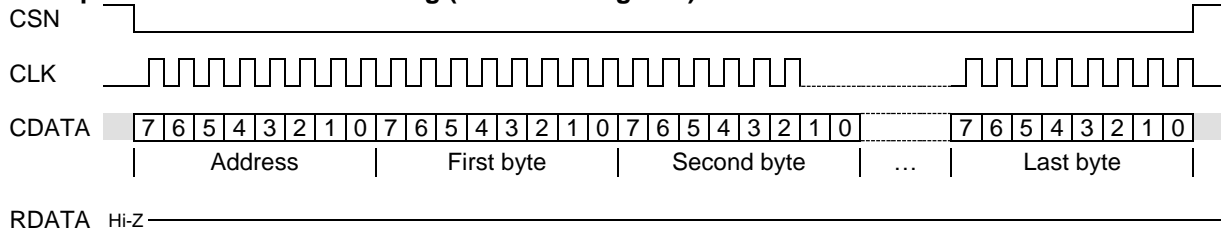


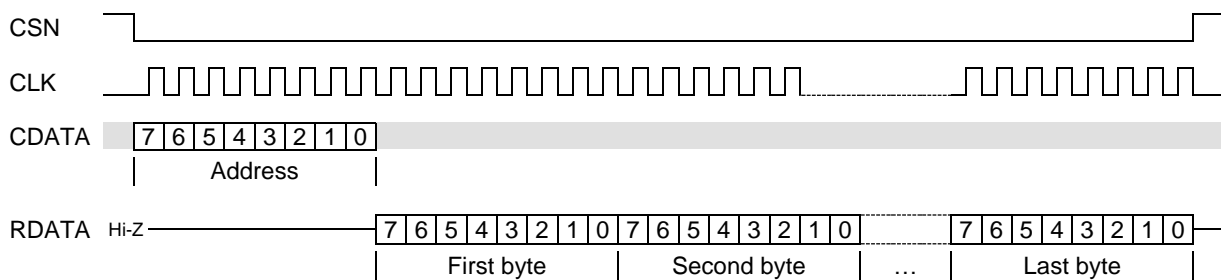
Figure 16 Basic C-BUS Transactions

To increase the data bandwidth between the  $\mu$ C and the CMX608/CMX618/CMX638, certain of the C-BUS read and write registers are capable of data-streaming operation. This allows a single address byte to be followed by the transfer of multiple read or write data words via a FIFO, all within the same C-BUS transaction. This can significantly increase the transfer rate of large data blocks, as shown in Figure 17.

#### Example of C-BUS data-streaming (8-bit write register)



#### Example of C-BUS data-streaming (8-bit read register)



**Figure 17 C-BUS Data-Streaming Operation**

Filling a FIFO to a pre-determined level (e.g. 128 bytes) can be done in one of two ways:

- 1) Stream an entire C-BUS message consisting of 1 address byte followed by 128 data bytes to the FIFO.
- 2) Stream multiple C-BUS messages consisting of any number of address bytes from 1 - 128 and any number of data bytes from 1 - 128, as long as 128 data bytes eventually get across into the FIFO.
  - i.e. i) 128 x single C-BUS writes is a valid transfer (128 address bytes + 128 data bytes)
  - ii) 64 x C-BUS writes is a valid transfer (64 address bytes + 64\*2 data bytes)

It is not a requirement that data **MUST** be streamed into the FIFOs in one single transaction. If it is more convenient, the data streaming facility need not be used at all.

A summary of the CMX608/CMX618/CMX638 C-BUS registers and their corresponding addresses is shown in Table 5. Note that the internal clock of the CMX608/CMX618/CMX638 must be running before any C-BUS access is attempted, with the exception of the General Reset (\$01) command.

Page No.	( <i>link to</i> ) C-BUS Register Name	C-BUS Address	CMX618/CMX638 R/W/CMD	CMX618/CMX638 Size (bits)	CMX608 R/W/CMD	CMX608 Size (bits)
32	RESET	\$01	CMD	-	CMD	-
32	SYNC	\$02	CMD	-	CMD	-
32	SYNCCTRL	\$04	W	8	W	8
33	AIG	\$05	W	8	<i>n/a</i>	<i>n/a</i>
34	AOG	\$06	W	8	<i>n/a</i>	<i>n/a</i>
35	VCFG	\$07	W	8	W	8
35	MVCFG	\$2C	R	8	R	8
36	SDTMF	\$08	W	8	W	8
37	POWERSAVE	\$09	W	8	W	8
38	DTMFATTEN	\$0A	W	8	W	8
38	EXCODECCONT	\$0B	W	8	W	8
41	IDD	\$0C	W	8	W	8
42	SVCREQ	\$0E	W	8	W	8
42	FRAMETYPEW	\$0F	W	8	W	8
42	DECFRAME #	\$10	W	8	W	8
44	ECFIFO	\$24	R	8	R	8
44	SVCACK	\$2E	R	8	R	8
44	FRAMETYPER	\$2F	R	8	R	8
45	ENCFRAME #	\$30	R	8	R	8
46	VCTRL	\$11	W	16	W	16
46	MVCTRL	\$3C	R	16	R	16
48	EXCODECCMD	\$12	<i>n/a</i>	<i>n/a</i>	W	16
49	CLOCK	\$1D	W	16	W	16
49	VDWHLWM	\$1E	W	16	W	16
50	IRQENAB	\$1F	W	16	W	16
51	PLEVEL	\$31	R	16	R	16
51	DFRAMEDATA	\$37	R	16	R	16
52	EFRAMEDATA	\$38	R	16	R	16
53	STATUS	\$40	R	16	R	16

**Table 5 C-BUS Register Addresses**

Note: Registers marked # also support streaming C-BUS operation.

## 5.10. C-BUS Registers

### 5.10.1. Command Registers

#### RESET register address \$01

This register has no data associated with it. Writing to it (by the General Reset command) will reset the device and restore all the default settings. All registers are cleared to '0' on reset, unless marked otherwise. As a result, the BIAS pin is powered down and the voltage on the external decoupling capacitor (C14) will decay to  $V_{SS}$ . The crystal oscillator is unaffected by writing to the RESET register (a "soft" reset). Instead, it is powersaved by connecting the ENABXTAL pin to  $V_{SS}$ .

#### SYNC register address \$02

This register has no data associated with it. Writing to it will synchronise the Vocoder with the host on the next rising edge of the CSN signal. It performs the same function as the SYNC input pin. Either SYNC source may be used as they are ORed together.

#### SYNCCTRL register address \$04

7	6	5	4	3	2	1	0
0	0	0	0	PERIOD		CONTROL	

**Bits 0 and 1** These two bits control the Vocoder synchronisation according to the table below.

#### CONTROL

Bit 1	Bit 0	Description
0	0	Internal synchronisation. SYNC pin 25 is set as an input but unused. This is the default setting for this pin. This pin must be tied to '0' or '1' by the user.
0	1	Internal synchronisation. SYNC pin 25 is set as an output, and a sync pulse is produced to allow an external device to synchronise with this one.
1	0	Internal synchronisation. SYNC pin 25 is set as an input but unused. SYNC pin 25 must be tied to '0' or '1'.
1	1	External synchronisation. SYNC pin 25 is set as an input. A sync pulse should be applied to this pin or this pin should be tied low and a write to the SYNC register (\$02) will act as a sync pulse.

When set for external synchronisation, the period between positive edges of the sync pulse applied to the SYNC pin, or the C-BUS writes to the SYNC register, should be 20ms or a multiple thereof. The next sync pulse after writing this register will be used as the reference. The pulse width must be at least 62.5 $\mu$ s. If the synchronisation input is provided by C-BUS, then both bits should be set to '1' and SYNC pin 25 should be connected to '0' ( $V_{SS}$ ).

When the bits are set to '01', a positive-going sync pulse is output from the SYNC pin with a pulse width of 125 $\mu$ s, except in the case where bits 2 and 3 are both '0', where an 8kHz square wave is output from the SYNC pin instead.

Note 1: The CODEC must be taken out of powersave by setting bit 1 in the POWERSAVE register (\$09) for sync pulses to be produced.

Note 2: If moving between 20/40/60ms pulse settings, the 8kHz square-wave setting must be selected in between.



**Bit 2 and 3 PERIOD** These two bits control the period/frequency of the sync pulse output from SYNC pin 25, when it is set to produce sync pulses.

Bit 3	Bit 2	Description
0	0	8kHz square wave
0	1	Pulse every 20ms
1	0	Pulse every 40ms
1	1	Pulse every 60ms

**Bits 4 to 7** These bits are unused and should be cleared to '0'.

### 5.10.2. 8 Bit Write-Only Registers

**AIG register address \$05 (CMX618/CMX638 only. No function on CMX608.)**

7	6	5	4	3	2	1	0
INPUT GAIN SWITCH	0	0	0	INPUT GAIN			

This is the analogue input gain control register. Because the amplitude of speech fluctuates, it is important to set the average speech level such that the level of distortion that results from the occasional overdriving of the inputs is at an acceptable level. The ADC is designed not to saturate, but will clip input signals which are too large. The ADC is a sigma-delta design with a sampling frequency of 2.4MHz and subsequent decimation by a factor of 300.

**Bits 0 to 3 INPUT GAIN** These bits control the input gain stage according to the following table:

Bit 3	Bit 2	Bit 1	Bit 0	Gain (dB)
0	0	0	0	0 (default)
0	0	0	1	1.5
0	0	1	0	3.0
0	0	1	1	4.5
0	1	0	0	6.0
0	1	0	1	7.5
0	1	1	0	9.0
0	1	1	1	10.5
1	0	0	0	12.0
1	0	0	1	13.5
1	0	1	0	15.0
1	0	1	1	16.5
1	1	0	0	18.0
1	1	0	1	19.5
1	1	1	0	21.0
1	1	1	1	22.5

**Bits 4 to 6** These bits are unused and should be cleared to '0'

**Bit 7 INPUT GAIN SWITCH** A '0' in this bit sets the microphone amplifier gain to 0dB. A '1' in this bit sets the microphone amplifier gain to +20dB. Using this switch will achieve a better noise performance than using an equivalent gain setting in bits 0-3.

**AOG register address \$06 (CMX618/CMX638 only. No function on CMX608.)**

7	6	5	4	3	2	1	0
OUTPUT GAIN SWITCH				OUTPUT GAIN			
0	0	0					

This is the analogue output gain control register. The output level should be chosen to avoid unnecessary distortion in the output amplifier. This gain block follows the DAC, which is a sigma-delta design with a sampling frequency of 2.4MHz and an on-chip reconstruction filter. An external RC filter could be added across the OUPN and OUTN pins, if clock noise needs further reduction.

**Bits 0 to 3** These bits control the output gain stage according to the following table:

**OUTPUT GAIN**

Bit 3	Bit 2	Bit 1	Bit 0	Gain (dB)
0	0	0	0	-14 (default)
0	0	0	1	-12
0	0	1	0	-10
0	0	1	1	-8
0	1	0	0	-6
0	1	0	1	-4
0	1	1	0	-2
0	1	1	1	0
1	0	0	0	2
1	0	0	1	4
1	0	1	0	6
1	0	1	1	8
1	1	0	0	10
1	1	0	1	12
1	1	1	0	14
1	1	1	1	16

**Bits 4 to 6** These bits are unused and should be cleared to '0'.

**Bit 7  
OUTPUT GAIN SWITCH**

A '0' in this bit sets the earpiece gain to 0dB. A '1' in this bit sets the earpiece gain to +6dB. A further 6dB of gain can be achieved by using both audio outputs. As these outputs are in anti-phase, connecting the earpiece across them will provide 6dB more gain, as well as saving a dc blocking capacitor. See Figure 7.

**VCFG register address \$07 (also MVCFG register address \$2C)**

7	6	5	4	3	2	1	0
DTMFF	DTX	HDD	FEC	BITRATE		FRAMES	

This write-only register controls the configuration of the Vocoder. Certain aspects of the Vocoder will be set up and initialised. The VCFG register is mirrored by the MVCFG register (\$2C). This read-only register holds the last value written to the VCFG (\$07) register. The MVCFG register is updated before the value is validated and therefore may be used as confirmation that a write command to a 8-bit C-BUS register is working.

The VCFG command should only be issued when the device is not actively encoding, decoding or performing an FEC loop, i.e when bits 0 to 2 of the VCTRL register (\$11) are '0'. After this command has completed, bit 15 of the STATUS register (\$40) will be set and, if enabled, IRQN will go low. No other C-BUS registers should be read or written whilst this command is in progress.

If the command was successful, the value '1' will be written into the SVCACK register (\$2E).

If the command was unsuccessful due to an invalid bit rate or due to it being issued when the device is active, the value '0' will be written into the SVCACK register.

Also see Table 6 and Table 7 for a description of the VCFG register configuration for the various decoder and encoder packet sizes.

**Bits 1 and 0  
FRAMES** Specifies the number of 20ms frames transferred according to the following table:

Bit 1	Bit 0	Description
0	0	4 off 20ms frames
0	1	1 off 20ms frames
1	0	2 off 20ms frames
1	1	3 off 20ms frames

**Bits 3 and 2  
BITRATE** Specifies the Vocoder bit rate according to the following table:  
Note that programming both bit 2 and bit 3 to '1' will cause this command to fail.  
i.e. An invalid bit rate.

Bit 3	Bit 2	Description
0	0	<i>reserved</i>
0	1	2400 bits per second
1	0	2750 bits per second
1	1	Not used

**Bit 4  
FEC** If this bit is set to '1', an FEC encoded packet will be produced by the encoder, and an FEC encoded packet will be expected by the decoder. If this bit is cleared to '0', packets of raw Vocoder frames will be produced and expected.

FEC is only available when 3 or 4 frame packets are being transferred. This bit will be ignored for any other frames setting. See also section 6.2.

- Bit 5  
HDD** If this bit is set to '1', the decoder will expect an FEC packet of hard bits. This is a 27- or 36-byte packet, where each bit represents a decoded bit.
- If this bit is cleared to '0', the decoder will expect an FEC packet of soft bits. This is a 108- or 144-byte packet, where each decoded bit is represented by a 4-bit LLR (Log Likelihood Ratio) value from a demodulator. See also section 6.2.
- The encoder always produces hard bits, so an FEC encoded packet of 60ms will always be 27 bytes and an FEC encoded packet of 80ms will always be 36 bytes. This bit will be ignored if FEC is not enabled.
- Bit 6  
DTX** This bit controls the DTX (Discontinuous Transmission) feature. When this bit is set to '1', DTX is enabled and the encoder can produce 2 types of frame: Data and SID (Silence Insertion Description). When this bit is cleared to '0', the DTX function is disabled. The same amount of data must be read from, or supplied to, the device whether DTX is enabled or disabled. See also section 6.3. DTX is only available when FEC is not being used and raw Vocoder frames are being transferred. This bit will be ignored if FEC is enabled.
- Bit 7  
DTMFF** This bit controls the format of the 4-bit DTMF code when transferring DTMF data into, or out of, the device. When not transferring DTMF data, the setting of this bit is irrelevant.
- Format 1 is used when this bit is cleared to '0' and Format 2 is used when this bit is set to '1'. With Format 1, DTMF data will conform to the coding used in other popular products, such as CML's CMX605 and Zarlink's MT8870D. With Format 2, DTMF data will be in a row:column format that corresponds to a standard telephone keypad matrix. See section 5.7 for further information.

**SDTMF register address \$08**

7	6	5	4	3	2	1	0
FRAME COUNT				DTMF CODE			

This write-only register controls the sending of DTMF data through the Vocoder.

As an alternative to decoding DTMF tones in the input audio stream, DTMF data may be sent directly by providing the code to be sent, and the duration, in terms of 20ms frames.

This function overrides DTMF detection, single tone recognition and vocoding. The collected audio samples will be ignored.

After each 20ms frame is sent, the frame count value will be decremented. Special DTMF frames will be produced until the frame count value reaches zero. See also the EFRAMEDATA (\$38) register.

If the frame count value was 15 (\$F), then it is not decremented and the device will produce the special DTMF frame until this register is written to again, either with zero in the frame count causing it to stop, or another value other than 15, causing it to count down and then stop.

- Bits 0 to 3  
DTMF CODE** These bits define the DTMF tone that is to be sent. See Table 2 or Table 4.

**Bit 4 to 7** These bits specify the duration of the DTMF signalling in terms of Vocoder frames, which each have a length of 20ms.

**FRAME COUNT**

Bit 7	Bit 6	Bit 5	Bit 4	Frames	Symbol
0	0	0	0	OFF	OFF
0	0	0	1	1	20ms
0	0	1	0	2	40ms
0	0	1	1	3	60ms
0	1	0	0	4	80ms
0	1	0	1	5	100ms
0	1	1	0	6	120ms
0	1	1	1	7	140ms
1	0	0	0	8	160ms
1	0	0	1	9	180ms
1	0	1	0	10	200ms
1	0	1	1	11	220ms
1	1	0	0	12	240ms
1	1	0	1	13	260ms
1	1	1	0	14	280ms
1	1	1	1	ON	Continuous

#### POWERSAVE register address \$09

7	6	5	4	3	2	1	0
0	0	0	THROTTLE	ADCON	DACON	CODEC	BIAS

This write-only register controls the powersaving features of the device. All the bits in this register are cleared to '0' after a power up reset. Before vocoding analogue signals, the BIAS and CODEC functions must be turned on. If the device is being used only as a repeater with no monitoring, then the CODEC and BIAS functions may be switched off.

**Bit 0** Setting this bit to '1' will turn on the analogue bias. The host should wait for approximately 100ms to allow the bias capacitors to charge.  
**BIAS** Clearing this bit to '0' will turn off the analogue bias.

**Bit 1** Setting this bit to '1' will turn on the CODEC master clock and set it up for use with the vocoding function.  
**CODEC** Clearing this bit to '0' will turn off the master clock of the CODEC.

**Bit 2** Setting this bit to '1' will prevent the DAC from being power-saved when the device is not decoding.  
**DACON** Clearing this bit to '0' will cause DAC to be power-saved whenever the device is not decoding.

**Bit 3** Setting this bit to '1' will prevent the ADC from being power-saved when the device is not encoding.  
**ADCON** Clearing this bit to '0' will cause the ADC to be power-saved whenever the device is not encoding.

**CMX608 Note:** Bits 0 to 3 have no effect in the CMX608 and should be cleared to '0'.

**Bit 4 THROTTLE** Setting this bit to '1' will reduce the internal clock rate to a quarter of its normal frequency when the device is not actively encoding or decoding. Clearing this bit to '0' will leave the internal clock rate at its normal frequency. This bit should be cleared to '0' in the CMX638, when using full-duplex operation.

When the clock is throttled down, the device will take up to 4 times longer to complete any C-BUS command.

Note: The maximum C-BUS CLK frequency that should be used when this bit is set to '1' is 4MHz.

**Bits 5 to 7** These bits are not used and must be cleared to '0'.

#### DTMFATTEN register address \$0A

7	6	5	4	3	2	1	0
Attenuation							

This is a dual-purpose register. Its primary function is to set an attenuation value for regenerated DTMF tones. Its secondary function is to execute a change in the clock frequency of the internal processor. For more information about the clock, please refer to the CLOCK register (\$1D) description.

When DTMF is sent through a vocoded channel, only the code is transferred and no amplitude information is transferred. If the decoder is reproducing the DTMF tones in the audio stream, the level at which they are produced may be too loud compared to any voice. This register allows the volume to be reduced to an appropriate level.

This write-only register controls the attenuation of the generated DTMF audio tones. Without attenuation, DTMF tones will be generated with an amplitude of approximately half scale (6dB down from the maximum amplitude that can be achieved with 16-bit samples). The value written by this register is a count of right shifts to be applied to any DTMF tones that are generated. This effectively gives attenuation steps of 6dB. Bit 7 is the msb.

After writing to this register, bit 14 (SVC) of the STATUS register (\$40) will be set to '1' and, if enabled, IRQN will go low. No other C-BUS registers should be read or written whilst this command is in progress.

Before using the DTMFATTEN register, the CLOCK register (\$1D) must be programmed with a valid value. Please refer to the CLOCK register description.

#### EXCODECCONT register address \$0B

7	6	5	4	3	2	1	0
SEL1	SEL0	n	n	n	n	n	n

This write-only register is used to control an external CODEC. The CMX608 (and CMX618/CMX638 with external CODEC selected) has built-in drivers for a popular type of CODEC:

Burr Brown (Texas Instruments) PCM3500

Other types of CODEC may be used with this device, see section 5.6 for further details.

This register is split into four sub-registers, indicated by 'n' in bits 5 to 0 above. The sub-register written depends on the value of the SEL1 and SEL0 bits. In all cases, after this register has been written and the action completed, bit 15 of the STATUS register (\$40) will be set and, if enabled,

IRQN will go low. The SVCACK register (\$2E) will contain the status value, indicating whether the write to this register was successful. No other C-BUS registers should be read from or written to whilst this command is in progress. Writing reserved values will result in an error status being returned in the SVCACK register.

#### SEL1 / SEL0 = '00' - Output ports

7	6	5	4	3	2	1	0
0	0	0	0	0	0	REC	EEC

This sub-register allows direct control of the two output ports, EEC and REC. Whilst these output ports can be used as general output ports, REC is intended to control the RESET of an external CODEC and EEC is intended to control an ENABLE, if one is available.

#### Bit 0

##### EEC (Enable External CODEC)

Setting this bit to '1' causes the EEC port to go high.  
Clearing this bit to '0' causes the EEC port to go low.

#### Bit 1

##### REC (Reset External CODEC)

Setting this bit to '1' causes the REC port to go high.  
Clearing this bit to '0' causes the REC port to go low.

#### Bits 5-2

##### Reserved

These bits should be cleared to '0' for correct device operation.

#### SEL1 / SEL0 = '01' - Select CODEC

7	6	5	4	3	2	1	0
0	1	0	0	CODEC			

This sub-register controls the basic settings of the SSP (Synchronous Serial Port).

#### Bits 3-0

##### CODEC

This field specifies the type of external CODEC to be used. Bit 3 is the msb.

0 Reserved

##### 1 CODEC\_GENERIC1

This specifies a CODEC that samples its data on the positive edge of SCLK. The SSP's output FIFO will not be primed.

##### 2 CODEC\_GENERIC2

This specifies a CODEC that samples its data on the positive edge of SCLK. The SSP's output FIFO will be primed.

##### 3 CODEC\_GENERIC3

This specifies a CODEC that samples its data on the negative edge of SCLK. The SSP's output FIFO will not be primed.

##### 4 CODEC\_GENERIC4

This specifies a CODEC that samples its data on the negative edge of SCLK. The SSP's output FIFO will be primed.

##### 5 CODEC\_PCM3500 - Burr-Brown PCM3500

This specifies a setting suitable for the PCM3500.

6 - 15 Reserved.

#### Bits 5 and 4

##### Reserved

These bits should be cleared to '0' for correct device operation.

#### SEL1 / SEL0 = '10' - Command

7	6	5	4	3	2	1	0
1	0	Command					

This sub-register is used for issuing commands to control the various aspects of the interaction of the device and an external CODEC.

#### Bits 5-0

##### Command

This field specifies a command to execute. Bit 5 is the msb.

\$00 Reserved.

##### \$01 (ECC\_SSP\_START)

Starts the SSP. If the CODEC requires initialisation commands and these have been pre-loaded through the EXCODECCMD register (\$12), then these will be sent as soon as the CODEC starts transferring data.

If the SSP is already running, then this command is ignored and a status value of '0' is returned.

##### \$02 (ECC\_SSP\_STOP)

Stops the SSP. All activity on the SSP will be ignored.

If the SSP is not running, then this command is ignored and a status value of '0' is returned.

##### \$03 (ECC\_FIFO\_CLEAR)

Clears the FIFO associated with the EXCODECCMD register (\$12). The ECFIFO register (\$24) will also be cleared.

##### \$04 (ECC\_FIFO\_COUNT)

Places the number of words contained in the FIFO into the ECFIFO register (\$24). The ECFIFO register gets updated by both the ECC\_FIFO\_CLEAR command and by a write on the EXCODECCMD register (\$12) (which pushes another value into the FIFO), so issuing this command should be unnecessary.

##### \$05 (ECC\_FIFO\_DATA)

Places all the words contained in the FIFO into the ENCFRAME register (\$30). The ENCFRAME register is a byte wide streaming register so, for this data, the most significant byte of each word is sent first. This command should not be issued whilst the device is actively encoding. The controlling host should first read the ECFIFO register (\$24), to get the number of words in the FIFO. This value should be multiplied by 2 to get the number of bytes that have to be read from ENCFRAME register (\$30).

##### \$06 (ECC\_CODEEC\_RESET)

Places the CODEC in a reset state. The exact effect of this command is CODEC dependant. If any of the generic CODEC settings are chosen, this command does not do anything. Please refer to the external CODEC support section.



**\$07 (ECC\_CODEEC\_START)**

Starts the CODEC running. The exact effect of this command is CODEC dependant. If any of the generic CODEC settings are chosen, this command does not do anything. Please refer to the external CODEC support section.

**\$08 (ECC\_CODEEC\_PSAVE)**

Places the CODEC in a powersave state. The exact effect of this command is CODEC dependant. If any of the generic CODEC settings are chosen, this command does not do anything. Please refer to the external CODEC support section.

**\$09 (ECC\_EEC\_LOW)**

Set the output port EEC low, without affecting the REC port. Using this command removes the need to hold a shadow register for the port states.

**\$0A (ECC\_EEC\_HIGH)**

Set the output port EEC high, without affecting the REC port. Using this command removes the need to hold a shadow register for the port states.

**\$0B (ECC\_REC\_LOW)**

Set the output port REC low, without affecting the EEC port. Using this command removes the need to hold a shadow register for the port states.

**\$0C (ECC\_REC\_HIGH)**

Set the output port REC high, without affecting the EEC port. Using this command removes the need to hold a shadow register for the port states.

**\$0D - \$3F** Reserved.

**SEL1 / SEL0 = '11' - Reserved**

7	6	5	4	3	2	1	0
1	1	<i>reserved</i>					

**IDD register address \$0C**

7	6	5	4	3	2	1	0
Delay							

This write-only register controls an initial delay in sending samples to the CODEC after the first frame is given to the decoder, once it has been enabled. The value is given in samples (125µs) and must be between 1 and 255 inclusive. This register has a default value of 64, which equates to a time period of 8ms. Bit 7 is the msb.

Once the delay has been set, bit 15 (RDY) of the STATUS register (\$40) will be set and IRQN will go low if C-BUS interrupts are enabled for this bit. After the decoder is enabled, the first frame that is given to the device for decoding will start a delay timer primed with the value contained in this register. The device will not attempt to send a sample to the CODEC until this timer reaches zero. After the timer has expired, it will not be used again until the decoder is disabled, and then re-enabled, where receipt of the first frame will again start the timer.

This delay period is required in order to eliminate the effect of the algorithmic jitter in the decoder algorithm. If additional algorithmic jitter is present in frame acquisition and presentation (perhaps from a demodulator, or from scheduling effects in the host) then this delay may need to be increased to prevent the CODEC from suffering sample starvation during the first few frames.

Please see section 5.3 for further information.

**SVCREQ register address \$0E**

7	6	5	4	3	2	1	0
Service Request Value							

This write only register sends special service requests to the device. Once the request has been processed, bit 14 (SVC) of the STATUS (\$40) register will be set to '1' and, if enabled, IRQN will go low. The SVCACK (\$2E) register will contain the status value, indicating whether the request was successful. No other C-BUS registers should be read or written whilst this command is in progress.

**Bits 0 to 7** The 8-bit value written to this register specifies which operation to perform. Currently, only 3 operations are defined. All other values are reserved:

- \$01 Request to load a Function Image™. Please refer to section 6.7 for further information.
- \$09 Request to turn on the PLEVEL functionality. Please refer to the description of the PLEVEL (\$31) register for further information.
- \$0A Request to turn off the PLEVEL functionality.

**FRAMETYPEW register address \$0F**

7	6	5	4	3	2	1	0
Frame 4		Frame 3		Frame 2		Frame 1	

This write-only register contains the frame type for each of the 20ms raw Vocoder frames being supplied for decoding. The fields in this register must be set before the packet that contains the frames is written to the device. The information in this register is used when the device is configured to accept packets of raw Vocoder frames (without any FEC) and the DTX (discontinuous transmission) option is enabled.

If the DTX option is disabled, the value in this register is unused.

The device can be set to decode 1, 2, 3 or 4 frames, representing 20ms, 40ms, 60ms or 80ms of voice. For each frame, this register holds the corresponding 2-bit frame type attribute.

Bit 1/3/5/7	Bit 0/2/4/6	Frame Type
0	0	Data frame
0	1	reserved
1	0	SID frame
1	1	reserved

The device must be given full frames of data to decode. For a data frame, all of the bits are used. For an SID frame, only the first 18 bits are used.

NOTE: The same number of bytes must be written to the DECFRAME register (\$10), regardless of frame type. This information indicates how much of it is significant.

**DECFRAME register address \$10**

7	6	5	4	3	2	1	0
Decoder Frame							

This write only register accepts packets of encoded speech data frames for decoding. This is a byte wide streaming register that will take up to 144 bytes of data. The frequency and amount of data to be written depends on how the device has been configured with the VCFG register (\$07). Bit 7 is the msb.

When running the Vocoder in full-duplex mode (CMX638 only), the last bit of the data to be decoded should be clocked into the device no later than 6ms after the VDA bit is set and (if enabled) the corresponding IRQN is generated. This will ensure that the decoding and encoding operations are scheduled correctly. Note that a C-BUS clock of at least 200kHz will be required in streaming mode for transferring 80ms samples of soft decision encoded data. A higher C-BUS clock speed is required if the data transfer is done a byte at a time.

The following table shows the frequency and packet size that needs to be written against the configuration setting:

VCFG Register								Description of packet	DECFRAME	
7	6	5	4	3	2	1	0		Byte Count	Prod. every
x	x	x	0	0	1	0	1	2400bps 1x20ms frame	6	20ms
x	x	x	0	0	1	1	0	2400bps 2x20ms frames	12	40ms
x	x	x	0	0	1	1	1	2400bps 3x20ms frames	18	60ms
x	x	x	0	0	1	0	0	2400bps 4x20ms frames	24	80ms
x	x	x	0	1	0	0	1	2750bps 1x20ms frame	7	20ms
x	x	x	0	1	0	1	0	2750bps 2x20ms frames	14	40ms
x	x	x	0	1	0	1	1	2750bps 3x20ms frames	21	60ms
x	x	x	0	1	0	0	0	2750bps 4x20ms frames	28	80ms
x	x	1	1	0	1	1	1	2400bps 3x20ms frames with FEC / Hard bits	27	60ms
x	x	1	1	1	0	1	1	2750bps 3x20ms frames with FEC / Hard bits	27	60ms
x	x	1	1	0	1	0	0	2400bps 4x20ms frames with FEC / Hard bits	36	80ms
x	x	1	1	1	0	0	0	2750bps 4x20ms frames with FEC / Hard bits	36	80ms
x	x	0	1	0	1	1	1	2400bps 3x20ms frames with FEC / Soft bits	108	60ms
x	x	0	1	1	0	1	1	2750bps 3x20ms frames with FEC / Soft bits	108	60ms
x	x	0	1	0	1	0	0	2400bps 4x20ms frames with FEC / Soft bits	144	80ms
x	x	0	1	1	0	0	0	2750bps 4x20ms frames with FEC / Soft bits	144	80ms

**Table 6 Decoder Packet Description**

This register is also used for loading blocks of Function Image™ data. Refer to section 6.7 for further details.

### 5.10.3. 8 Bit Read-Only Registers

#### ECFIFO register address \$24

7	6	5	4	3	2	1	0
FIFO Word Count							

This read-only register holds the current count of words in the external CODEC control FIFO. The FIFO can currently hold up to 16 words for external CODEC control. This register is updated whenever the EXCODECCMD register (\$12) is written, or the EXCODECCONT register (\$0B) is written with ECC\_FIFO\_CLEAR or ECC\_FIFO\_COUNT. Bit 7 is the msb.

#### SVCACK register address \$2E

7	6	5	4	3	2	1	0
X	X	X	X	X	X	X	ACK

This read-only register contains the acknowledgement result from a service request or some other operation, as detailed in the STATUS register (\$40). The contents of this register are only valid after status bit 14 or 15 (in certain cases) has been set, and before another C-BUS register is written. See section 6.7 for further details.

**Bit 0** This bit is set to '1' to indicate a success result.

**ACK** This bit is cleared to '0' to indicate an error or unsuccessful result.

**Bits 1 to 7** These bits are undefined.

#### FRAMETYPER register address \$2F

7	6	5	4	3	2	1	0
Frame 4		Frame 3		Frame 2		Frame 1	

This read-only register contains the frame type for each of the 20ms raw Vocoder frames. The information in this register is used when the device is configured to produce raw Vocoder frames without any FEC and the DTX (discontinuous transmission) option is enabled. If the DTX option is disabled, the value in this register is undefined.

The device can be set to encode over a period of 20ms, 40ms, 60ms or 80ms, producing 1, 2, 3 or 4 frames. For each frame, this register holds the corresponding 2-bit frame type attribute.

Bit 1/3/5/7	Bit 0/2/4/6	Frame Type
0	0	Data frame
0	1	reserved
1	0	SID frame
1	1	reserved

For a data frame, the full frame must be transmitted across the channel. For the SID frame, only the first 18 bits of the frame need to be sent. In all cases, the frame type attribute must be sent.

NOTE: The same number of bytes must be read from the ENCFRAME register (\$30), regardless of frame type. This information indicates how much of it must be sent across the communications channel.

**ENCFRAME register address \$30**

7	6	5	4	3	2	1	0
Encoded Frame							

This read only register contains the encoded speech data frames. This is a byte wide streaming register containing up to 36 bytes of data. The amount of data to be read depends on how the device has been configured with the VCFG register (\$07). Bit 7 is the msb.

This register should be read whenever the VDA bit is set in the status register. This indicates that a frame of vocoded speech is now available. Whilst it is not necessary to read this data out immediately, it must be read before another frame of vocoded speech is produced.

The frequency of frames is also dependant on the configuration. The following table shows the amount of data that needs to be read, and the frequency of production against the configuration setting:

VCFG Register								Description of packet	ENCFRAME	
7	6	5	4	3	2	1	0		Byte Count	Prod. every
x	x	x	0	0	1	0	1	2400bps 1x20ms frame	6	20ms
x	x	x	0	0	1	1	0	2400bps 2x20ms frames	12	40ms
x	x	x	0	0	1	1	1	2400bps 3x20ms frames	18	60ms
x	x	x	0	0	1	0	0	2400bps 4x20ms frames	24	80ms
x	x	x	0	1	0	0	1	2750bps 1x20ms frame	7	20ms
x	x	x	0	1	0	1	0	2750bps 2x20ms frames	14	40ms
x	x	x	0	1	0	1	1	2750bps 3x20ms frames	21	60ms
x	x	x	0	1	0	0	0	2750bps 4x20ms frames	28	80ms
x	x	x	1	0	1	1	1	2400bps 3x20ms frames with FEC	27	60ms
x	x	x	1	1	0	1	1	2750bps 3x20ms frames with FEC	27	60ms
x	x	x	1	0	1	0	0	2400bps 4x20ms frames with FEC	36	80ms
x	x	x	1	1	0	0	0	2750bps 4x20ms frames with FEC	36	80ms

**Table 7 Encoder Packet Description**

This register is also used to read the contents of the external CODEC command FIFO. The CODEC command FIFO is a word (16-bit) FIFO, so the data is presented as two bytes per word: the first byte being the most significant byte of the word. Please refer to the EXCODECCONT register (\$0B) for more information.

#### 5.10.4. 16-bit Write-Only Registers

##### VCTRL register address \$11 (also MVCTRL register address \$3C)

15	14	13	12	11	10	9	8
0	0	ESTDP	ESTDD	EDTMFD	0	DSTDP	DSTDG
7	6	5	4	3	2	1	0
DSTDD	DDTMFG	DDTMFD	DVDW	PLC	FECLOOP	ENC	DEC

This write-only register controls the Vocoder when it is operating. A change in the state of these bits may take up to 20ms before any effect is observed. The VCTRL register is mirrored by the MVCTRL register (\$3C). This read-only register holds the last value written to the VCTRL (\$11) register. The MVCTRL register is updated before the value is validated and therefore may be used as confirmation that a write command to a 16-bit C-BUS register is working.

After the VCTRL command has completed, bit 15 of the STATUS register (\$40) will be set to '1' and, if enabled, IRQN will go low. No other C-BUS registers should be read or written whilst this command is in progress.

**Bit 0  
DEC** Decoder Enable: If this bit is set to '1' the device will accept frames of vocoded audio, decode them, and send the samples to the D/A converter. If this bit is cleared to '0', any supplied frames will be ignored.

**Bit 1  
ENC** Encoder Enable: If this bit is set to '1' the device will collect samples from the A/D converter, encode them and send the vocoded frames to the streaming ENCFRAME register (\$30). If this bit is cleared to '0', no vocoded frames of audio will be produced.

*Note: Setting both DEC and ENC to '1' is the same as setting them both to '0', as full duplex operation is not possible with the CMX608/CMX618. In the CMX638, DEC and ENC bits can be set as above, for half-duplex operation, or both DEC and ENC should be set to '1' for full-duplex operation. When operating in full-duplex, neither DTMF nor STD functions are supported.*

**Bit 2  
FECLOOP** Repeater Function Enable: If this bit is set to '1' the device will re-apply FEC to the previously supplied FEC encoded frame, after error correction, and then send it to the streaming ENCFRAME register (\$30). This allows the device to be used in a repeater. If this bit is cleared to '0', this function is turned off.

This bit is ignored if the ENC bit is set to '1'. If the DEC bit is set to '1', the supplied frames will also be decoded and sent to the D/A converter.

**Bit 3  
PLC** Packet Loss Concealment (PLC): If this bit is set to '1' the device's decoder will attempt to conceal badly corrupted frames by using a special PLC procedure. If this bit is cleared to '0', PLC will not be done.

**Bit 4  
DVDW** Vocoder Data Wanted: If this bit is set to '1', the device will indicate that it is able to accept another Vocoder frame for decoding, by setting the VDW bit (bit 8) in the STATUS register (\$40). If this bit is cleared to '0', this function is disabled.

- Bit 5  
DDTMFD** Decoder DTMF Detect: If this bit is set to '1' the decoder will detect the special DTMF frames. If DTMF is detected, the 4 bit DTMF code will be placed in the DFRAMEDATA register (\$37). If a special DTMF frame is not detected, the frame will be passed on to the next decoding stage.
- If this bit is cleared to '0', special DTMF frame detection will not be done and the frame will be passed on to the next decoding stage.
- Bit 6  
DDTMFG** Decoder DTMF Generate: If this bit is set to '1' and the decoder is detecting the special DTMF frames, the decoder will generate the DTMF tones in the output audio stream. The level of the generated DTMF may be controlled by the DTMFATTEN register (\$0A).
- If this bit is cleared to '0', DTMF tones will not be generated.  
This bit is ignored if DTMFD is cleared to '0'.
- Bit 7  
DSTDD** Decoder STD Detect: If this bit is set to '1' the decoder will detect the special STD frames. If an STD frame is detected, the frequency (in Hz) will be placed in the DFRAMEDATA register (\$37). If a special STD frame is not detected, the frame will be passed on to the next decoding stage. See section 6.4 for further details.
- If this bit is cleared to '0', special STD frame detection will not be done and the frame will be passed on to the next decoding stage.
- Bit 8  
DSTDG** Decoder STD Generate: If this bit is set to '1' and the decoder is detecting the special STD frames, the decoder will generate the detected tone in the output audio stream.
- If this bit is cleared to '0', the detected single tone will not be generated. This bit is ignored if DSTDD is cleared to '0'. See section 6.4 for further details.
- Bit 9  
DSTDP** Decoder STD Priority: Controls the order of frame processing in the decoder. Single tone detection and DTMF detection are separate states that are performed on the input frames before being given to the Vocoder to decode.
- If this bit is set to '1' the decoder will first try and detect a special STD frame before a special DTMF frame.  
If this bit is cleared to '0', the decoder will first try and detect a special DTMF frame before a special STD frame.  
This bit is only significant if both DSTDD and DDTMFD bits are set to '1'. If either bit is cleared to '0', then the DSTDP bit is ignored.
- Bit 10** This bit must be cleared to '0' for correct operation.
- Bit 11  
EDTMFD** Encoder DTMF Detect: If this bit is set to '1' the encoder will try and detect DTMF tones in the input audio stream. If DTMF is detected, the encoder will form a special DTMF frame and place the detected DTMF code in the EFRAMEDATA register (\$38). If DTMF is not detected the audio will be passed on to the next stage.
- If this bit is cleared to '0', no DTMF detection will be attempted.  
If this bit is set to '1', then the DDTMFD bit in the decoder at the other end of the channel should also be set to '1'.

**Bit 12 ESTDD** Encoder STD Detect: If this bit is set to '1', the encoder will try and detect single tones in the input audio stream. If a single tone is detected, the encoder will form a special STD frame and place the frequency of the detected single tone in the EFRAMEDATA register (\$38). If a single tone is not detected the audio will be passed on to the next stage.

If this bit is cleared to '0', the encoder will treat the signal as voice and will not detect single tones.

If this bit is set to '1', then the DSTDD bit in the decoder at the other end of the channel should also be set to '1'. See section 6.4 for further details.

**Bit 13 ESTDP** Encoder STD Priority: Controls the order of the audio processing in the encoder. Single tone detection and DTMF detection are separate stages that are performed on the input audio stream before being given to the Vocoder to encode. If this bit is set to '1', the encoder will first try and detect a single tone before trying to detect DTMF.

If this bit is cleared to '0', the encoder will first try and detect DTMF before a single tone.

This bit is only significant if both ESTDD and EDTMFD bits are set to '1'. If either bit is cleared to '0', then the ESTDP bit is ignored.

**Bit 14** This bit must be cleared to '0' for correct operation.

**Bit 15** This bit must be cleared to '0' for correct operation.

#### EXCODECCMD register address \$12

15	14	13	12	11	10	9	8	7	6	5	4	3	2	1	0
External CODEC command word															

This write-only register enables initialisation commands to be sent to an external CODEC.

The Vocoder device has a FIFO, 16 words deep, to hold initialisation commands for an external CODEC. Each write to this register pushes its contents into this FIFO and increments the FIFO word counter. After the word has been pushed into the FIFO, bit 15 (RDY) of the STATUS register (\$40) will be set and, if enabled, IRQN will go low. No other C-BUS registers should be read or written whilst this operation is in progress.

When the device is RESET, this FIFO will be empty. Once filled, the contents will remain in the FIFO until a RESET or explicitly emptied by writing the ECC\_FIFO\_CLEAR command to the EXCODECCONT register (\$0B). This allows the re-use of the initialisation sequence if the CODEC needs to be reset for any reason.

The count of words currently in the FIFO may be read from the ECFIFO register (\$24) after this command has completed, which is indicated by SVCACK register (\$2E) bit 0 being set to '1'.

After starting the SSP, all the words in the FIFO will be sent to the device. Once all the words are sent, the Vocoder device will assume that the CODEC is now running and that all data transferred are audio samples.



**CLOCK register address \$1D**

15	14	13	12	11	10	9	8	7	6	5	4	3	2	1	0
Clock Value															

This write only register, together with the DTMFATTEN register (\$0A), controls the speed of the Vocoder's internal processor. This register has no default value and therefore must be set up after the device is reset. Two speeds can be selected: slow and fast.

Writing \$0005 to this register, followed by a write to the DTMFATTEN register, will select the slow speed. This is the speed at which the internal processor starts up and is suitable for use with CMX608, CMX618 and CMX638 (only when operated in a half-duplex mode). The fast speed may also be selected: this will reduce the latency by approximately 3ms but will increase the current consumption.

Writing \$0006 to this register, followed by a write to the DTMFATTEN register, will select the fast speed. This is the speed which must be selected when operating the CMX638 as a full-duplex Vocoder.

After writing to the DTMFATTEN register, the host must wait until bit 14 (SVC) of the STATUS register (\$40) is set to '1' before writing to any more C-BUS registers. Please refer to the DTMFATTEN register description.

To ensure correct device operation, no other values should be written to this register. The function of this register should not be confused with 'clock throttling', which is controlled by the THROTTLE bit (b4) in the POWERSAVE register (\$09). Please note that 'clock throttling' is not available in the CMX638 when used in full-duplex mode.

**VDWHLWM register address \$1E**

15	14	13	12	11	10	9	8	7	6	5	4	3	2	1	0
H	0	0	0	0	Watermark										

This write-only register controls the behaviour of the Vocoder-Data-Wanted (VDW) notification by setting either the high, or low, watermark values. After this register has been written, the host should wait until bit 15 (RDY) is set in the STATUS register (\$40). If interrupts are enabled for this bit, IRQN will also go low. No other C-BUS registers should be read or written whilst this command is in progress.

The device has an audio sample buffer which feeds the digital to analogue converter. Each time a Vocoder frame is supplied to the device, the complete frame is decoded and the resultant audio samples are placed in this buffer. The buffer is large enough to accommodate up to 800 samples. This is the equivalent of 5 x 20ms Vocoder frames.

The device will notify the host that Vocoder data is wanted when the number of samples in the sample buffer is less than the low watermark value by setting bit 8 (VDW) in the STATUS register (\$40). If interrupts are enabled for this bit, IRQN will also go low. Once notified, no other notification will occur until the number of samples in the sample buffer is greater than or equal to the high watermark.

If notification of Vocoder-Data-Wanted is required, these two watermark values must be explicitly set after a device reset. There are no defaults for these values. See also section 6.7.

**Bits 0 to 10 Watermark** This value sets the number of samples for either low or high watermark.

**Bits 11 to 14** These bits are reserved and should be cleared to '0' for correct device operation.

**Bit 15** If this bit is clear, the low watermark will be set from the supplied watermark value.  
**H** In addition, the device will be set to notify as soon as the low watermark condition exists (which may be immediately, depending on the sample count).

If this bit is set, the high watermark will be set from the supplied watermark value. In addition, the device will be set to wait until the high watermark condition exists (which may be immediately, depending on the sample count) before allowing the low watermark condition to be signalled.

#### IRQENAB register address \$1F

15	14	13	12	11	10	9	8
RDY	SVC	0	0	0	0	0	VDW

7	6	5	4	3	2	1	0
0	PLV	0	0	0	DFDA	EFDA	VDA

This write-only register specifies which of the bits in the STATUS register (\$40) will cause a C-BUS interrupt to be generated (IRQN pin is pulled low).

Setting a bit to '1' will cause the corresponding status bit to generate a C-BUS interrupt when the status bit is set to '1'. Please refer to the STATUS register (\$40) for an explanation of the bits.

The default state of this register after a power-up reset is for all bits, except for bit 15 (RDY), to be cleared to '0'. Bit 15 is set to '1', so that when the device is ready to accept commands (signified by bit 15 (RDY) of the STATUS register (\$40) being set to '1'), there will also be a C-BUS interrupt.

### 5.10.5. 16-bit Read-Only Registers

#### PLEVEL register address \$31

15	14	13	12	11	10	9	8	7	6	5	4	3	2	1	0
Peak Level															

This read-only register contains the peak sample value of the last 20ms frame of audio collected for encoding. This peak sample value will be available for every 20ms frame, regardless of whether multiple frame or single frame format is selected. Bit 6 of the STATUS register (\$40) will be set to '1' (and a C-BUS interrupt generated, if enabled) when this register is updated. This value is only updated when the facility is turned on, by writing \$09 to the service request (SVCREQ) register (\$0E). The audio level should not be allowed to limit: for single-ended operation this can be ensured by keeping the Peak Level below 16384, i.e. bit 14 of the PLEVEL register should not become set to '1'.

#### DFRAMedata register address \$37

15	14	13	12	11	10	9	8	7	6	5	4	3	2	1	0
Type		X	X	Data								Data			

This read-only register contains extra information about the last 20ms frame of audio that was decoded. The data in this register becomes valid after bit 2 in the STATUS register (\$40) is set. If this data is required, it should be read as soon as possible after it becomes valid. When decoding multi-frame packets, once one frame is decoded, then the next frame will be processed. For packets of voice frames, this will happen at a rate of approximately once every 6ms, but for packets of single tones or DTMF, the rate will be approximately once every 300µs.

The Vocoder can detect frames containing either voice, DTMF, or single tones depending on which bits are set in the VCTRL register (\$11). If the Vocoder is set up to detect DTMF and/or single tones in the vocoded frames, the DTMF code or the single tone frequency will be reported in this register.

**Bits 0 to 11 Data** This field contains either the DTMF code (bits 0 to 3) or the single tone frequency that was detected in the audio stream.

**Bits 12 to 13** Reserved. The value of these two bits should be ignored.

**Bits 14 to 15 Type** This field indicates what sort of data is contained in the data field, as shown in the table below:

Bit 15	Bit 14	Data Type
0	0	The frame was encoded audio. The data field should be ignored.
0	1	The frame contained DTMF. The data field contains the DTMF code in bits 0 to 3 (bit 3 is the msb). All other bits should be ignored. The format of the DTMF data is specified by bit 7 (DTMFF) of the VCFG register (\$07). Please refer to section 6.2 for the bit patterns.
1	0	The frame contained a single tone. The data field contains the single tone's frequency in Hz. The frequency value has a resolution of 32Hz and bit 11 is the msb.
1	1	Not used.

**EFRAMEDATA register address \$38**

15	14	13	12	11	10	9	8	7	6	5	4	3	2	1	0
Type		X	X	Data								Data			

This read-only register contains extra information about the last 20ms frame of audio that was encoded. The data in this register becomes valid after bit 1 in the STATUS register (\$40) is set. The data will remain valid until the next 20ms frame of audio has been encoded.

The Vocoder can produce frames containing either voice, DTMF, or single tones depending on which bits are set in the VCTRL register (\$11). If the Vocoder is set up to detect DTMF and/or single tones in the audio stream, the DTMF code or the single tone frequency will be reported in this register.

**Bits 0 to 11** This field contains either the DTMF code (bits 0 to 3) or the single tone frequency that was detected in the audio stream

**Bits 12 to 13** Reserved. The value of these two bits should be ignored.

**Bits 14 to 15** This field indicates what sort of data is contained in the data field, as shown in the table below:

Bit 15	Bit 14	Data Type
0	0	The frame is encoded audio. The data field should be ignored.
0	1	The frame contains DTMF. The data field contains the DTMF code in bits 0 to 3 (bit 3 is the msb). If the device is sending DTMF frames as a result of writing to the SDTMF register, bits 4 to 7 contain the remaining count of DTMF frames to be sent. If the device is sending DTMF frames as a result of detecting DTMF in the audio stream, all the other bits should be ignored. The format of the DTMF data is specified by bit 7 (DTMFF) of the VCFG register (\$07). Please refer to section 6.2 for the DTMF bit patterns.
1	0	The frame contains a single tone. The data field contains the single tone's frequency in Hz. The frequency value has a resolution of 32Hz and bit 11 is the msb.
1	1	Not used.

**STATUS register address \$40**

15	14	13	12	11	10	9	8
RDY	SVC	X	X	X	X	X	VDW
7	6	5	4	3	2	1	0
X	PLV	X	X	X	DFDA	EFDA	VDA

This read-only register indicates that the device has data or needs servicing. The device can be used in an interrupt driven mode or a polled mode.

If being used in an interrupt driven mode, after a C-BUS interrupt, this register should be read to establish the reason for the interrupt. An interrupt will only be generated if the corresponding bit of the IRQENAB register (\$1F) is also set to '1'. If the device is being used in a polled mode, then this register should be read at regular intervals. The register is cleared to '0' after it is read. It is possible for more than one bit to be set to '1', so each bit should be dealt with as appropriate. Bits marked 'X' may get set during normal operation. These should be read and ignored.

- Bit 0**  
**VDA** Vocoder data available. When this bit is set to '1' a packet of encoded voice is ready to be read from the ENCFRAME register (\$30).
- Bit 1**  
**EFDA** Encoder Frame Data available. When this bit is set to '1', the encoder has finished encoding a 20ms frame and has updated the EFRAMEDATA register (\$38), so the host can determine if the frame contained voice, DTMF or a single tone and obtain any associated data.
- Bit 2**  
**DFDA** Decoder Frame Data available. When this bit is set to '1', the decoder has finished decoding a 20ms frame and has updated the DFRAMEDATA register (\$37), so the host can determine if the frame contained voice, DTMF or a single tone and obtain any associated data.
- Bits 3 to 5** These bits have an un-defined state.
- Bit 6**  
**PLV** Peak Level sample for the last 20ms frame available. When this bit is set to '1', the peak sample value for the last 20ms frame of encoded audio has been updated. This value may be read from the PLEVEL (\$31) register.
- Bit 7** This bit has an un-defined state.
- Bit 8**  
**VDW** Vocoder Data Wanted. When this bit is set to '1' the device is ready to accept another packet of data for decoding. Prior to entering decode mode, the high and low watermarks should be programmed into VDWHLWM register (\$1E) and the Vocoder Data Wanted bit (DVDW) should be set to '1' in the VCTRL register (\$11).
- Bits 9 to 13** These bits have an un-defined state.
- Bit 14**  
**SVC** Service. When this bit is set to '1' it indicates that the device has completed a service request and that the status of the request can be read from the SVCACK (\$2E) register. This bit is also used to indicate that a write to the DTMFATTEN (\$0A) register has completed. In this latter case, the SVCACK register need not be read.
- Bit 15**  
**RDY** Ready. When this bit is set to '1' it indicates that the device is ready to accept commands after certain time consuming operations. This bit will be set to '1' after the following operations:

<ol style="list-style-type: none"><li>1. Hard or soft reset.</li><li>2. Writing to the VCFG register (\$07).</li><li>3. Writing to the VCTRL register (\$11).</li><li>4. Writing to the EXCODECCONT register (\$0B).</li><li>5. Writing to the EXCODECCMD register (\$12).</li><li>6. Writing to the IDD register (\$0C).</li><li>7. Writing to the VDWHLWM register (\$1E).</li></ol>	}	For these operations, the ACK bit is set in the SVCACK register (\$2E) when the operation has been successfully completed.
--	---	--

## 6. Application Notes

### 6.1. Basic Operation of the Vocoder

This sequence of instructions assumes that the device is in its reset state and that the ENABXTAL pin is set to '1'. The device may be reset, either by pulling the RESETN (pin 30) to '0' and then to '1', or by writing to the RESET register (\$01). The device will be ready to accept commands approximately 1.5 milliseconds after a soft reset and will indicate that it is ready by setting bit 15 of the STATUS register (\$40) to '1' and also by indicating a C-BUS interrupt request (if enabled) by setting the IRQN pin to '0'.

The CMX608/CMX618/CMX638 device is for use in either an interrupt driven or a polled system. It will indicate that it needs attention by setting a bit in the STATUS register and, if enabled, by taking the IRQN pin to '0', thus generating an interrupt.

#### Initialisation:

##### 1. Enable interrupts and establish internal processor speed

Write \$C107 into the IRQENAB register (\$1F)

Write \$0005 into the CLOCK register (\$1D)

Write \$00 into the DTMFATTEN register (\$0A).

Wait for a C-BUS interrupt or poll the STATUS register (\$40) until bit 14 (SVC) is set to '1'.

For this example, all available interrupts have been enabled and the slow processor speed has been selected with no DTMF attenuation.

##### 2. Turn on BIAS and internal A/D and D/A converter (CMX618/CMX638 only)

Write \$03 into the POWERSAVE register (\$09).

Using the recommended 100nF bias capacitor: 100ms is required for the bias to reach its final level.

##### 3. Configure Vocoder

Write \$37 into the VCFG register (\$07).

This sets the Vocoder up to encode and decode 60ms packets of voice, using a Vocoder rate of 2400 bps data and 1200 bps FEC. Frames for decoding are expected to be hard bits.

##### 4. Wait for configuration to complete

Wait for a C-BUS interrupt or poll the STATUS register (\$40) until bit 15 is set.

Read the SVCACK register (\$2E) and check that bit 0 is set to '1', which indicates that the device has accepted the configuration. If this bit is not set to '1', it indicates that an incorrect value was written to VCFG register.

The host should now wait for up to 100ms, to allow the bias capacitor to finish charging.

The device is now in a position to encode or decode. Step 5 or step 8 may now be executed.

#### Encoding:

##### 5. Start encoder running (stop decoder if it was running)

Write \$0002 into the VCTRL register (\$11).

This tells the Vocoder to start collecting audio samples for encoding. If the device was previously decoding, the decoder will be disabled and audio output will cease.

##### 6. Wait for control command to complete

Wait for a C-BUS interrupt, or poll the STATUS register (\$40) until bit 15 is set to '1'.

Read the SVCACK register (\$2E) and check that bit 0 is set to '1', which indicates that the device has accepted the control command. If this bit is not set to '1', it indicates that a control command was sent before a valid configuration was sent.

**7. Wait for encoded frames**

Wait for a C-BUS interrupt, or poll the STATUS register (\$40) until bit 0 is set to '1'.

Read 27 bytes from the ENCFRAME register (\$30).

Repeat this step until no more encoded voice frames are required.

Go to step 8 or step 11.

**Decoding:**

**8. Start decoder running (stop encoder if it was running)**

Write \$0001 into the VCTRL register (\$11).

This tells the Vocoder to disable the encoder and stop collecting samples if previously encoding. It will also enable the decoder.

**9. Wait for control command to complete**

Wait for a C-BUS interrupt, or poll the STATUS register (\$40) until bit 15 is set to '1'.

Read the SVCACK register (\$2E) and check that bit 0 is set to '1', which indicates that the device has accepted the control command. If this bit is not set to '1', it indicates that a control command was sent before a valid configuration was sent.

**10. Supply frames for decoding**

Write a 27 byte frame into the DECFRAME register (\$10).

Wait for 60 milliseconds, and repeat.

Go to step 5 or step 11.

**Powersaving:**

**11. Stop encoder and decoder**

Write \$0000 into the VCTRL register (\$11).

**12. Stop the clock**

Pull the ENABXTAL pin (pin 34) to '0'.

(Note that additional power can be saved by powering down the BIAS pin. However, it is necessary to wait for 100ms for the BIAS pin to reach its steady-state value of  $AV_{DD} / 2$  after the bias chain has been powered-up again, which is done by setting POWERSAVE register (\$09) bit 0 to '1').

**Reactivation:**

**13. Start the clock**

Pull the ENABXTAL pin (pin 34) to '1'.

**14. Wait for device to be ready**

The host must wait for at least 27ms before starting the encoder or decoder.

**15. Start encoding or decoding**

Jump to step 5 or step 8.



## 6.2. FEC and LLR Decoding

The Robust ALCWI 3600 bps Vocoder contains a Forward Error Correction (FEC) Encoder and an FEC Decoder, which provide robust performance in a noisy channel. The interleaving of data and an unequal error protection approach is used to provide effective protection against errors. A recursive, systematic, convolutional encoder is used with a CRC to encode the data and Viterbi decoding with either "hard decision" or "soft decision" metrics is used in the FEC Decoder. CRC decisions are used to improve the quality of data regeneration in cases where the bit frame is greatly distorted by channel errors. In "soft decision" mode, the incoming data is encoded with four bits representing the level of each "hard" bit as a LLR (Log Likelihood Ratio), ranging from 0x0 for a '0' to 0xF for a '1'.

## 6.3. DTX and SID Functions

To provide DTX functionality, the voice encoder contains a Voice Activity Detector (VAD) and the voice decoder contains a Comfort Noise Generator (CNG). The VAD uses several analyzed voice parameters (spectral envelope, pitch, energies of the signal's decomposed components, etc.) to estimate the features of the incoming signal and to switch the encoder to the silence or comfort noise transmission (SID) mode, in the event of a non-voice signal being detected. If DTX mode is enabled, the voice decoder checks for the possibility of an SID frame before the received frame is handled as a full Vocoder data frame. If SID is detected, the decoder generates a "comfort noise" in accordance with the transmitted spectral envelope and gain parameters.

## 6.4. Single Tone Transfer

The Vocoder is designed to encode and decode voice, not continuous tones. If a siren or single tone is the only audio input present, it will not be reliably encoded/decoded through the Vocoder. To overcome this, the CMX608/CMX618/CMX638 includes a facility that detects the presence of a single tone at the audio input and encodes it in a special frame. When a special frame is received, the tone is regenerated. This facility is not available on the CMX638 when used in full-duplex mode.

Single Tone Transfer is enabled in the encoder by setting bit 12 in the VCTRL register (\$11) to '1' and in the decoder by setting bits 7 and 8 in the VCTRL register (\$11) to '1'. This feature can be independently enabled/disabled in the encoder or decoder. This is necessary as, when enabled, the decoder detection can false with voice.

## 6.5. Slip Management

Slip, or rather time-slip, is the effect that occurs when two asynchronous real-time systems must communicate with each other. Two crystal controlled systems with the same value crystal will run at basically the same speed, but there will be a slight difference due to inaccuracies. The accuracy of a crystal depends on its quality and therefore its cost. Popular crystals have an accuracy better than 100 parts per million (ppm).

Taking a crystal accuracy of 100 parts per million as an example; this is the same as 1 part in 10,000. Given we are using a sample rate of 8000 samples per second, to make calculations easy, we can assume then that the accuracy of the CODEC is going to be approximately +/- 1 sample per second. With two CODECs in the system, the worst case accuracy is therefore +/- 2 samples per second.

There are a number of ways of controlling slip:

### ***Eliminate it altogether***

Slip can be eliminated by deriving a common clock over the whole system and using PLL techniques for supplying local clocks. In a digital radio system operating with fixed time slots for transmission, a reference clock could be derived from the slot timing, this could then be used to control a PLL, which in turn generates the master clock for the CODEC (this could be the external CODEC for a CMX608, or the Vocoder itself - in a CMX618/CMX638 using the internal CODEC).

**Ignore it**

If, in a half duplex channel, the transmitting end was considered to be the master, the receiver (and hence the decoder) would have to cope with the slip. The Vocoder device employs an output buffer (effectively a FIFO) to supply samples to the CODEC. If the buffer is empty when a sample is required, then the last value is re-presented (duplicated). If the buffer is full at any time that a sample is placed in it, it will be discarded (dropped). This behaviour inherently copes with slip.

**Manage it**

If, in a channel, one end assumes the role of master, as far as time is concerned, then the other end must cope with both the decoder and the encoder slip. For controlling the encoder part, the device needs to be synchronised in some way, allowing samples to be either duplicated or dropped to ensure Vocoder packet production happens at the right time for the other end of the channel.

The rest of this section is concerned with the last item above - *Managing Slip*

The CMX618/CMX638 provides a sync pin (pin 25) which can be either an input or an output. As an output, it can provide one of four different timing references:

- The 8kHz sample clock
- A short pulse every 20 ms
- A short pulse every 40ms
- A short pulse every 60ms

All of these timing references are derived from the CODEC's sample clock and can be used as a master timing reference for a system.

**Please note:** The CMX608, and the CMX618/CMX638 in external CODEC mode, cannot produce these sync pulses. However, the CODEC frame sync can be used as the 8kHz sample clock and using a counter driven from this, the 20/40/60 etc. sync periods may be derived.

As an input, the device requires a pulse every 20ms or multiple thereof (40/60/80 ms). The frequency of the pulse controls how often slip checking and compensation will be performed. Using a 20ms period means that a timing adjustment could occur every 20ms. Using longer periods means that timing adjustments would occur less frequently.

Each supplied pulse allows only a 1-sample adjustment to be made, which exceeds the amount of slip expected by more than an order of magnitude. With synchronising pulses arriving every 20ms, that would equate to the required adjustment for a slip rate of 6250ppm - i.e. a crystal or clock generator at each end of the system that was accurate to 3125ppm!

When using the sync input to manage slip, both the encoder and decoder are affected. The number of samples per sync pulse are counted. With mutual slip present, eventually one sample more or less than required will have been counted. When this situation occurs, the device will either drop or duplicate a sample to nudge the CODEC back into sync. This will happen in both the encoder and decoder parts of the device. With an expected slip in the order of 100ppm, no more than 1 sample every 500ms will be dropped or duplicated, which will have virtually no audible effect.

**Example: Time slot based radio channel**

A digital radio channel is split into 60ms time slots. Half the slot carries data in one direction, the other half in the other direction. Call one end of the channel the master and the other end of the channel the slave. Whilst this set up implies a full duplex channel, we shall just consider a half duplex channel in a push-to-talk system. When voice is not being sent other data packets may be sent instead.

The master's notion of timing governs the system. Every 60ms, the master will send a 30ms burst of data and then expect the slave to send a 30ms burst back. Assume that an FEC protected Vocoder packet that represents 60ms of voice can be transmitted in a 30ms burst over air. Referring to the diagram in the 3-frame example in the encoder section, after giving the instruction for the encoder to start, the data will not

become available until approximately 80ms later. The most convenient sync to use, in this case, is the pulse every 20ms.

At the occurrence of a pulse, the device should be instructed to encode. The next three pulses should be ignored. At the next pulse (which is 80ms after the initial encode instruction) the host should read the Vocoder packet and transmit it. Every 3rd pulse thereafter, another packet should be read and transmitted.

The slave should supply to its Vocoder a pulse on the sync pin every time it receives a packet of data from the master. This will then keep the slave's CODEC in sync with the master's CODEC.

### 6.6. Setting the Watermarks for the Vocoder Data Input (Output) FIFOs

Vocoder data is stored in a circular input (output) buffer, configured as a FIFO, before (after) being consumed (generated) by the Vocoding process. This buffer is 5 x 20ms long and care must be taken not to accidentally overwrite the buffer. For example, if the Vocoder is set to process 4 frames per packet (ie an 80ms packet), the low watermark should be set to less than 20ms and the high watermark should be set to a non-critical value of 70ms. The low watermark conditions are:

$$100 > \frac{LowWatermarkValue}{8} + (Frames\ per\ Packet \times 20) - Processing\ Time - Host\ \mu C\ VDW\ Response\ Time > 0$$

Note that the Processing Time and Host  $\mu$ C Response Time are both measured in milliseconds (ms) and that a Low Watermark Value of 160, which would be programmed into bits 0 - 10 of the VDWHLWM register (\$1E), corresponds to a low watermark of 20ms (the same as a single frame of vocoded data).

### 6.7. Download Protocol for Function Images™

New features and enhancements to existing functions are available as Function Images™. These are downloaded into the device over the C-BUS via the DECFRAME register (\$10). The data is sent in packets of 128 bytes. The Function Image™ will always be a whole multiple of 128 bytes. The following steps should be taken to download a Function Image™. Please check the documentation supplied with any Function Image™ which may detail a deviation from the following instructions.

1. Reset the device. This can be achieved by using either the RESETN pin (30), or by writing to the C-BUS RESET register (\$01).
2. Wait until the device indicates that it is ready. This can be done by either polling the STATUS register (\$40) and waiting for bit 15 (RDY) to be set to '1', or waiting until IRQN goes low, and then reading the STATUS register to reset it (bit 15 will have been set to '1').
3. If the process is to be interrupt driven (i.e. using IRQN to indicate a change in the STATUS register), then write the value of \$C000 to the IRQENAB register (\$1F). This will enable interrupts for the SVC bit (bit 14), which is used in the download protocol.
4. Write the value of \$01 to the SVCREQ register (\$0E). This indicates to the device that a Function Image™ is to be downloaded.
5. Wait for bit 14 to be set to '1' in the STATUS register (either by polling or waiting for IRQN to go low).
6. Read the SVCACK register (\$2E) and check that bit 0 is set to '1'. This indicates that the device is able to accept a Function Image™.
7. Write 128 bytes of Function Image™ data to the DECFRAME register (\$10). This may be done as a single 128-byte streaming write, 128 single byte writes or 64 x 2-byte writes.

8. Wait for bit 14 to be set to '1' in the STATUS register (either by polling or waiting for IRQN to go low).
9. Read the SVCACK register (\$2E) and check that bit 0 is set to '1'. This indicates that the device has accepted the data packet.
10. If there is more data to send, go back to step 7.
11. Write the value of \$01 to the SVCREQ register (\$0E). This indicates to the device that all of the Function Image™ has now been sent.
12. Wait for bit 14 to be set to '1' in the STATUS register (either by polling or waiting for IRQN to go low).
13. Read the SVCACK register (\$2E) and check that bit 0 is set to '1'. This indicates that the device has accepted the Function Image™ and is now ready to be used.

The device should be reset if at any time through the above sequence, when read, the SVCACK does not have bit 0 set to '1'.

Information on what features the Function Image™ provides, and instructions on how to use them, will be included with the Function Image™.

#### **6.8. Using the PLEVEL register to set the Input Gain**

Application information on this subject is available from the CML website: [<http://www.cmlmicro.com/>].

## 7. Performance Specification

### 7.1. Electrical Performance

#### 7.1.1. Absolute Maximum Ratings

Exceeding these maximum ratings can result in damage to the device.

	Min.	Max.	Units
<b>Power Supplies</b>			
$IOV_{DD} - V_{SS}$	-0.3	4.0	V
$V_{DD} - V_{SS}$	-0.3	2.16	V
$AV_{DD} - AV_{SS}$	-0.3	4.0	V
$V_{DDPA} - V_{SSPA}$	-0.3	4.0	V
Voltage on any pin to $V_{SS}$	-0.3	$IOV_{DD} + 0.3$	V
Current into or out of any pin, except power supply pins, OOTP and OUTN.	-20	+20	mA
Current into or out of power supply pins, OOTP and OUTN.	-120	+120	mA

<b>L4 Package (48-pin LQFP)</b>	Min.	Max.	Units
Total Allowable Power Dissipation at $T_{amb} = 25^{\circ}C$	–	1600	mW
... Derating	–	16.0	mW/ $^{\circ}C$
Storage Temperature	-55	+125	$^{\circ}C$
Operating Temperature	-40	+85	$^{\circ}C$

<b>Q3 Package (48-pin VQFN)</b>	Min.	Max.	Units
Total Allowable Power Dissipation at $T_{amb} = 25^{\circ}C$	–	1750	mW
... Derating	–	17.5	mW/ $^{\circ}C$
Storage Temperature	-55	+125	$^{\circ}C$
Operating Temperature	-40	+85	$^{\circ}C$

#### 7.1.2. Operating Limits

Correct operation of the device outside these limits is not implied.

	Min	Typ	Max.	Units
$IOV_{DD} - V_{SS}$	3.0	3.3	3.6	V
$V_{DD} - V_{SS}$	1.7	1.8	1.9	V
$AV_{DD} - AV_{SS}$ (connect as $IOV_{DD} - V_{SS}$ in CMX608)	3.0	3.3	3.6	V
$V_{DDPA} - V_{SSPA}$ (connect as $IOV_{DD} - V_{SS}$ in CMX608)	3.0	3.3	3.6	V
Operating Temperature	-40	–	+85	$^{\circ}C$
Xtal Frequency	9.6	–	12	MHz
External Clock Frequency (injected into XTALin pin)	9.6	–	24	MHz

### 7.1.3. Operating Characteristics

Using the recommended components in Figure 2 and Figure 3, and for the following conditions unless otherwise specified:

Xtal Freq. = 12.0MHz  $\pm$ 100ppm,  $V_{DDPA} = AV_{DD} = IOV_{DD} = 3.0V$  to 3.6V;  $V_{DD} = 1.7V$  to 1.9V;  $T_{amb} = 25^{\circ}C$ ; all gain settings are 0dB. Figures apply to CMX608, CMX618 and CMX638, unless otherwise stated.

**Note: Parametric measurements in this section are subject to further characterisation.**

	Notes	Min.	Typ.	Max.	Units
<b>DC Parameters</b>					
$I_{DD}$ Total powersaved (ENABXTAL pin connected to Vss)	1	–	50	–	$\mu A$
$I_{DD}$ Digital (after Reset, Xtal enabled)	1, 6, 9, 19	–	14.0	–	mA
$I_{DD}$ IODigital (after Reset, Xtal enabled)	1, 10, 19	–	0.5	–	mA
$I_{DD}$ Digital (CMX618/638 only)	1, 6, 9, 20	–	17.5	–	mA
<b>Operational Modes</b>					
$I_{DD}$ IODigital (CMX618/638 only)	1, 10, 21	–	0.6	–	mA
$I_{DD}$ Analogue PA (CMX618/638 only)	1, 10, 21	–	0.7	–	mA
$I_{DD}$ Analogue (CMX618 only, Vocoder encoding)	1, 10, 21	–	6.5	–	mA
$I_{DD}$ Analogue (CMX618 only, Vocoder decoding)	1, 10, 21	–	2.8	–	mA
$I_{DD}$ Digital (CMX608/618 Vocoder encoding enabled with clock throttling)	1, 6, 9	–	33	–	mA
$I_{DD}$ Digital (CMX608/618 Vocoder decoding enabled with clock throttling)	1, 6, 9	–	20.0	–	mA
$I_{DD}$ Digital (CMX608/618 Vocoder encoding enabled no clock throttling)	1, 9	–	38	–	mA
$I_{DD}$ Digital (CMX608/618 Vocoder decoding enabled no clock throttling)	1, 9	–	28	–	mA
$I_{DD}$ Analogue (Full-duplex: CMX638 only)	1, 10, 21	–	10	–	mA
$I_{DD}$ Digital (Full-duplex: CMX638 only)	1, 9	–	49	–	mA
<b>Logic Inputs and Outputs</b>					
Input logic '1' level		80%	–	–	$IOV_{DD}$
Input logic '0' level		–	–	20%	$IOV_{DD}$
Input leakage current ( $V_{in} = 0$ to $IOV_{DD}$ )	1	–	–	$\pm 5.0$	$\mu A$
Input capacitance		–	3	–	pF
Output logic '1' level ( $I_{OH} = 2mA$ )		90%	–	–	$IOV_{DD}$
Output logic '0' level ( $I_{OL} = -5mA$ )		–	–	10%	$IOV_{DD}$
"Off" state leakage current (IRQN or RDATA)	1	–	–	$\pm 5$	$\mu A$
<b>Analogue Outputs (CMX618/CMX638 only)</b>					
Differential output dc offset (OUT P – OUT N)	3	–	–	$\pm 40$	mV
<b>XTALin</b>					
Input logic '1' level		70%	–	–	$IOV_{DD}$
Input logic '0' level		–	–	30%	$IOV_{DD}$
Input current ( $V_{in} = 0$ to $IOV_{DD}$ )		–	–	$\pm 40$	$\mu A$
<b>XTALout</b>					
Output logic '1' level ( $I_{OH} = 0.5mA$ )		90%	–	–	$IOV_{DD}$
Output logic '0' level ( $I_{OL} = -1.2mA$ )		–	–	10%	$IOV_{DD}$

	Notes	Min.	Typ.	Max.	Units
<b>AC Parameters</b>					
<b>XTALin</b>					
'High' pulse width	4	15	–	–	ns
'Low' pulse width	4	15	–	–	ns
Input impedance (at 12.0MHz)					
Powered-up					
Resistance		–	150	–	kΩ
Capacitance		–	20	–	pF
Powered-down					
Resistance		–	300	–	kΩ
Capacitance		–	20	–	pF
Xtal start up time (from powersave)		–	20	–	ms
<b>BIAS (CMX618/CMX638 only)</b>					
Start up time (from powersave)		–	100	–	ms
<b>CODEC (CMX618/CMX638 only)</b>					
Input Impedance (INPUT P or INPUT N)		–	10	–	kΩ
Input Voltage Range (INPUT P or INPUT N)	11, 18	–	–	20 to 80	%AV <sub>DD</sub>
Differential Input Voltage (pk to pk)	12, 13, 18	–	–	100	%AV <sub>DD</sub>
Output Load Impedance (OUT P or OUT N)	7	32	–	–	Ω
Output Voltage Range (OUT P or OUT N)	3, 14, 18	–	–	10 to 90	% V <sub>DD</sub> PA
Differential Output Voltage (pk to pk)	3, 12, 18	–	–	160	% V <sub>DD</sub> PA
Differential Output Power	3	–	120	–	mW
Input Gain Setting Accuracy		–	±0.5	–	dB
Output Gain Setting Accuracy		–	±0.5	–	dB
ADC SINAD	5, 15	–	86	–	dB
DAC SINAD	8, 16	–	80	–	dB
<b>Vocoder Performance</b>					
Sample Rate		–	8	–	ks/s
Data Rate (with FEC)		–	3600	–	bps
Data Rate (without FEC)		2400	–	2750	bps
Lower Frequency Limit (internally bandlimited)		60	–	–	Hz
Upper Frequency Limit (internally bandlimited)		–	–	3900	Hz
Encoder Algorithmic Delay	17	–	–	20	ms
Decoder Algorithmic Delay	17	–	–	12	ms

	Notes	Min.	Typ.	Max.	Units
<b>C-BUS Timings (Figure 18)</b>					
	2				
t <sub>CSE</sub>	CSN-Enable to Clock-High time	100	–	–	ns
t <sub>CSH</sub>	Last Clock-High to CSN-High time	100	–	–	ns
t <sub>LOZ</sub>	Clock-Low to Reply Output enable time	0.0	–	–	ns
t <sub>HIZ</sub>	CSN-High to Reply Output 3-state time	–	–	1.0	µs
t <sub>CSOFF</sub>	CSN-High time between transactions	1.0	–	–	µs
t <sub>NXT</sub>	Inter-Byte time	200	–	–	ns
t <sub>CK</sub>	Clock-Cycle time	200	–	–	ns
t <sub>CH</sub>	Serial Clock-High time	100	–	–	ns
t <sub>CL</sub>	Serial Clock-Low time	100	–	–	ns
t <sub>CDS</sub>	Command Data Set-Up time	75	–	–	ns
t <sub>CDH</sub>	Command Data Hold time	25	–	–	ns
t <sub>RDS</sub>	Reply Data Set-Up time	50	–	–	ns
t <sub>RDH</sub>	Reply Data Hold time	0	–	–	ns
<b>CODEC (SSP) Port Timings (Figure 19)</b>					
	2				
t <sub>SS</sub>	Strobe Set-Up time	50	–	–	ns
t <sub>SH</sub>	Strobe Hold time	25	–	–	ns
t <sub>CK</sub>	Serial Clock-Cycle time	–	150	–	ns
t <sub>CH</sub>	Serial Clock-High time	50	–	–	ns
t <sub>CL</sub>	Serial Clock-Low time	50	–	–	ns
t <sub>DS</sub>	Serial Data In Set-Up time	50	–	–	ns
t <sub>DH</sub>	Serial Data In Hold time	25	–	–	ns
t <sub>DOE</sub>	Serial Data Out Earliest Data Valid time	–	–	30	ns
t <sub>DOL</sub>	Serial Data Out Latest Data Valid time	5	–	–	ns



- Notes:**
1.  $T_{amb} = 25^{\circ}\text{C}$ , not including any current drawn from the device pins by external circuitry.
  2. Maximum 30pF load on each C-BUS or CODEC (SSP) interface line.
  3. Measured whilst driving a  $32\Omega$  resistive load between OUT P and OUT N pins.
  4. Timing for an external input to the XTALin pin.
  5. Differential measurement, 10Hz to 4kHz bandwidth.
  6. With "clock throttling" enabled. Note that after Reset, "clock throttling" has to be specifically enabled, by setting bit 4 of the POWERSAVE register (\$09) to '1'.
  7. Care should be taken to avoid shorting the OUTP and OUTN pins together, or to  $V_{DD}$  or  $V_{SS}$ .
  8. Differential measurement, 300Hz to 4kHz bandwidth, no load.
  9. 1.8V nominal supply.
  10. 3.3V nominal supply.
  11. This is the maximum signal range on each pin of the differential input. The common mode voltage can be any voltage within this range but, for optimum dynamic range, it should be set to about  $AV_{DD}/2$ . If the inputs are ac coupled, on-chip resistors will set the dc bias of each input to this voltage automatically.
  12. This is the maximum differential peak to peak signal amplitude, which corresponds to a signal on each input of  $(AV_{DD}/2 \pm 25\% AV_{DD})$ . Exceeding this can result in increased distortion products.
  13. Because the amplitude of speech fluctuates, it is important to set the average speech level such that the level of distortion that results from the occasional overdriving of the inputs is at an acceptable level.
  14. This is the maximum voltage on each pin of the differential output, such that the device does not start to introduce significant harmonic distortion.
  15. The internal ADC is a sigma-delta type which samples at 2.4MHz. It is important that there is no significant energy close to this frequency or at any of its harmonics, thus avoiding the need for an external low-pass anti-alias filter.
  16. The internal DAC is a sigma-delta type which samples at 2.4MHz. It will output energy at this frequency and its harmonics. Should this present a problem, it is suggested that some external filtering be used at the audio outputs.
  17. Excludes the 20/40/60/80 ms sample collection period.
  18. Internal gain settings are 0dB on input gain for the optimum vocoded level and +6dB on output gain for the optimum vocoded level, subject to further characterisation.
  19. ADC or DAC disabled, Vocoder is disabled.
  20. ADC or DAC enabled, Vocoder is disabled.
  21. ADC or DAC enabled, Vocoder is enabled.

### 7.1.3 Operating Characteristics (continued)

#### Timing Diagrams

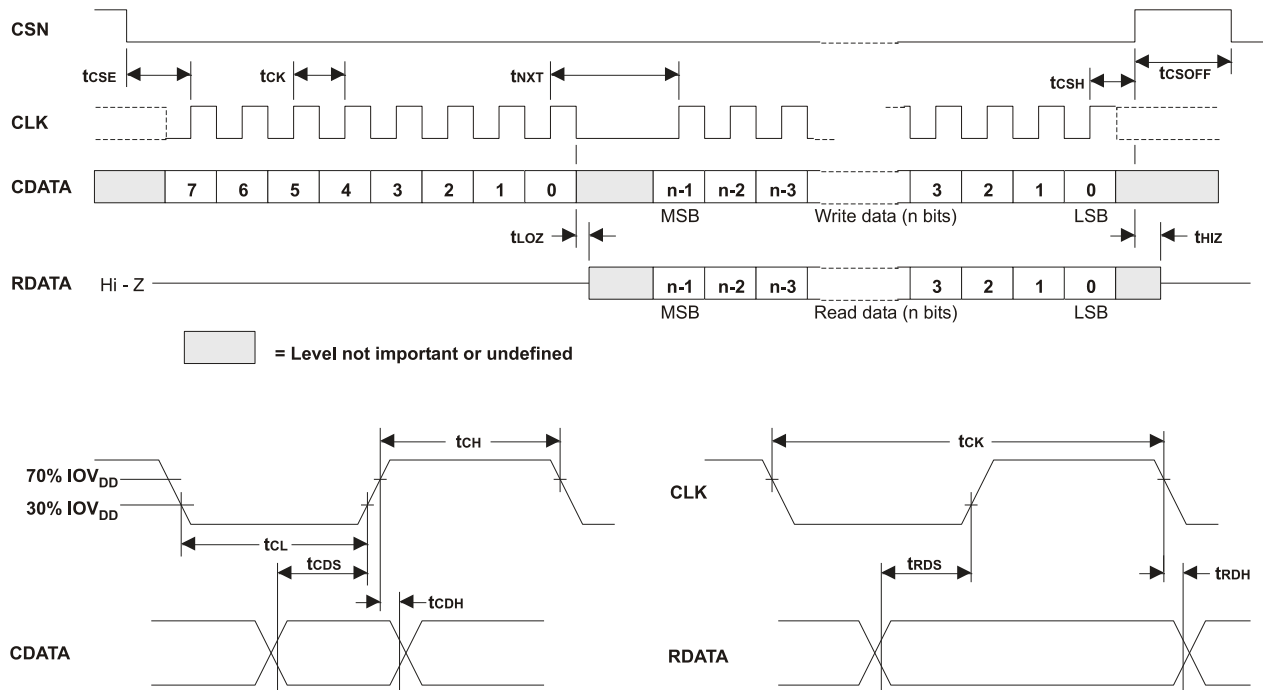


Figure 18 C-BUS Timing

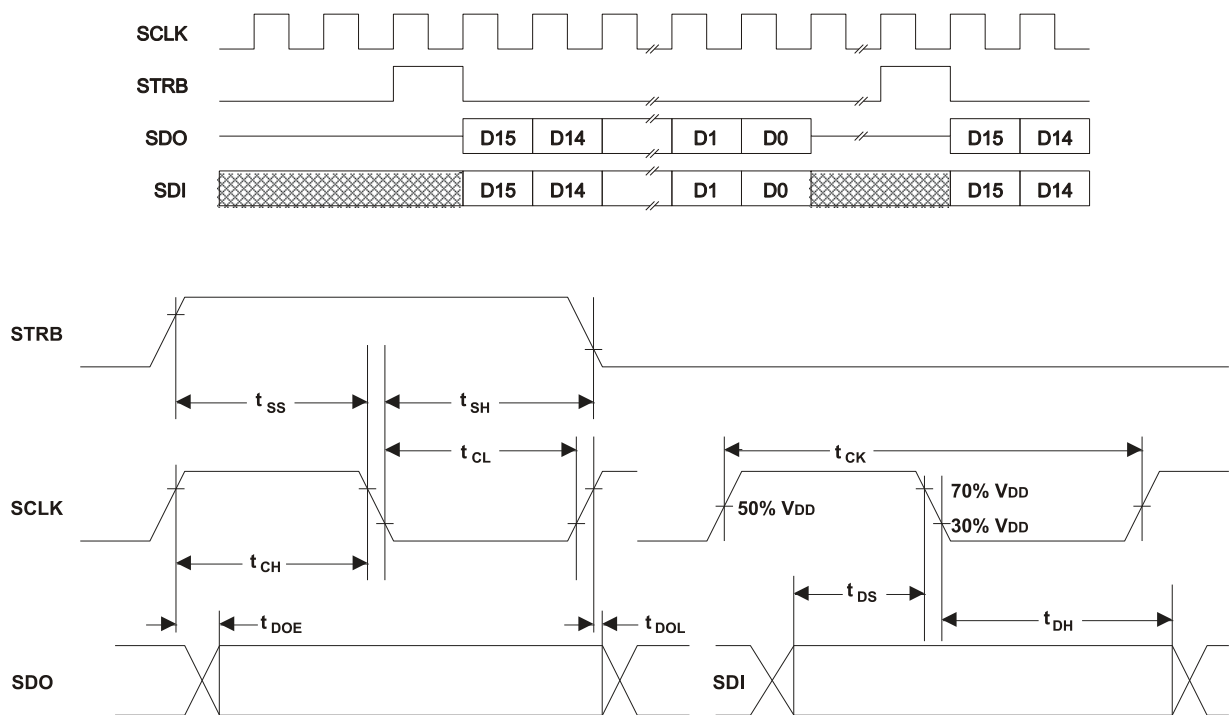
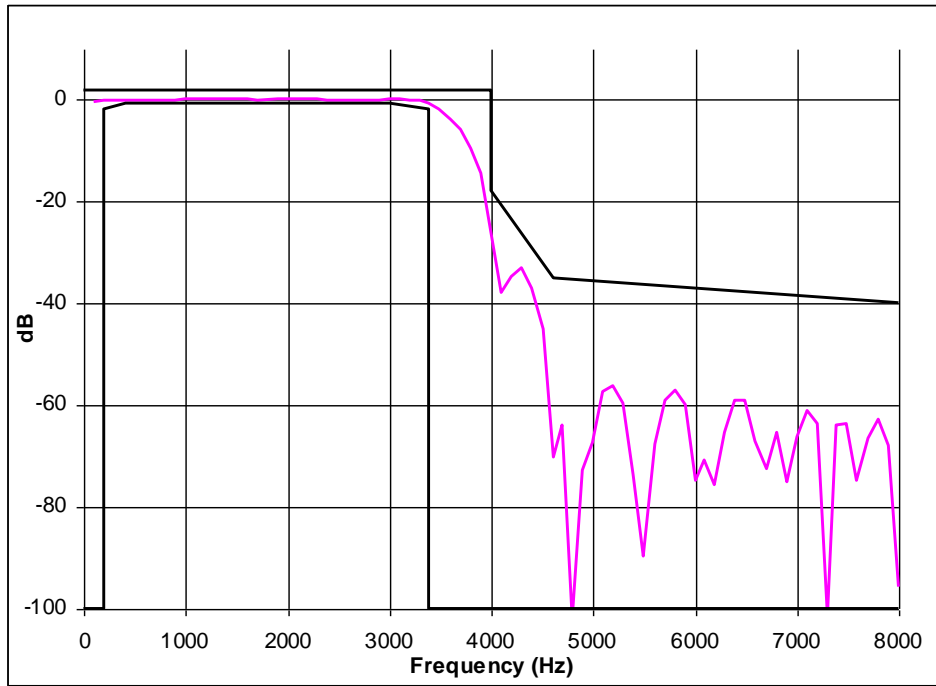
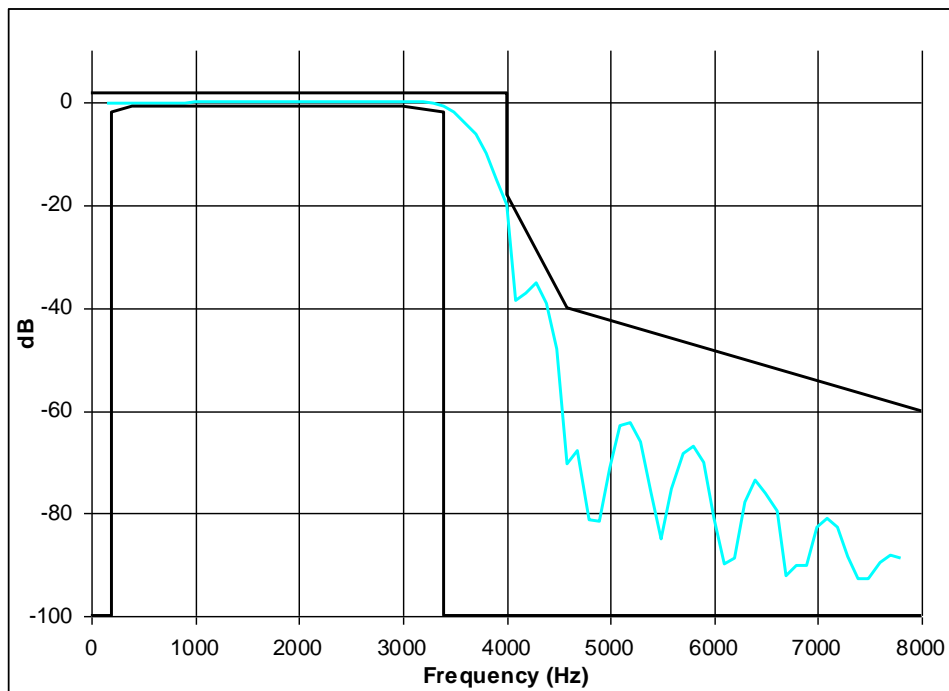


Figure 19 CODEC (SSP) Port Timing (Slave Mode)



**Figure 20 ADC Input Filter - Typical Response**

(ADC Input Frequency Vs Fundamental tone power for 750mVrms differential input, normalised to 1kHz)



**Figure 21 DAC Output Filter - Typical Response**

(DAC Output Frequency Vs Measured tone power for 32000 peak sample level differential output, normalised to 1kHz)

7.2. Packaging

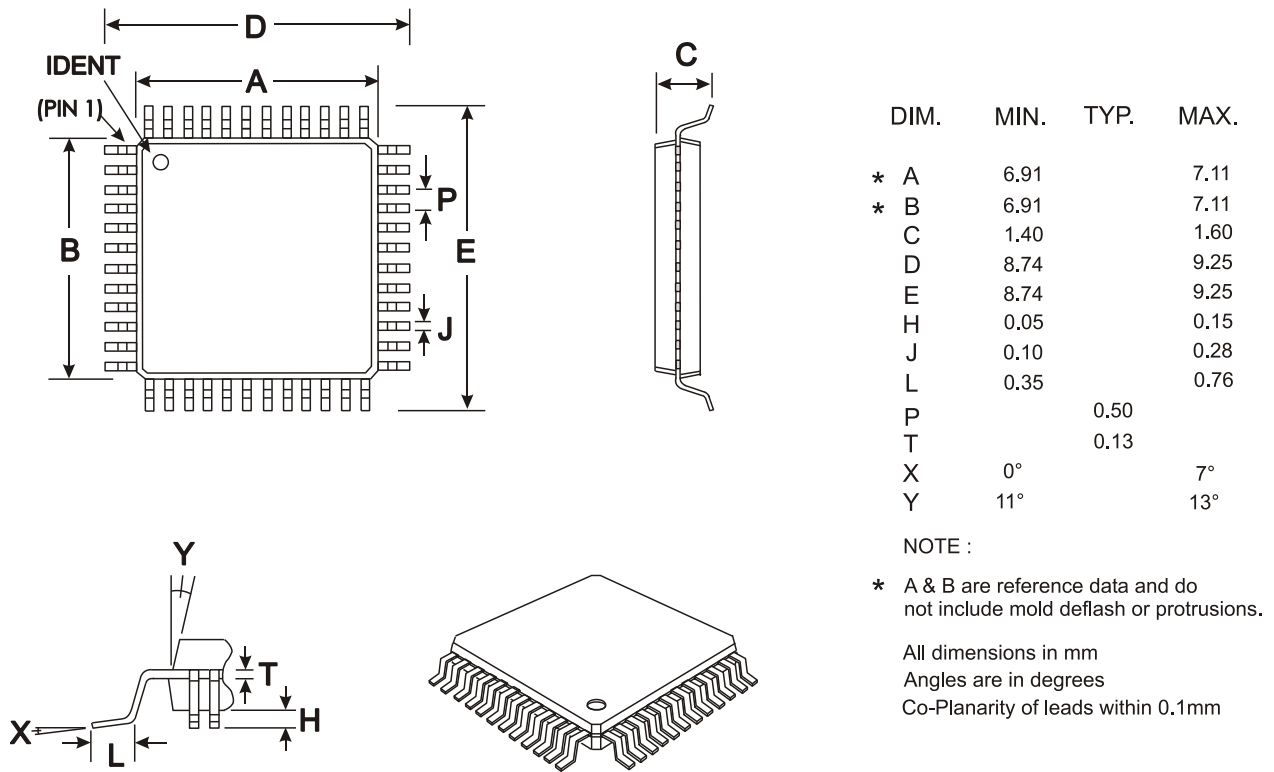
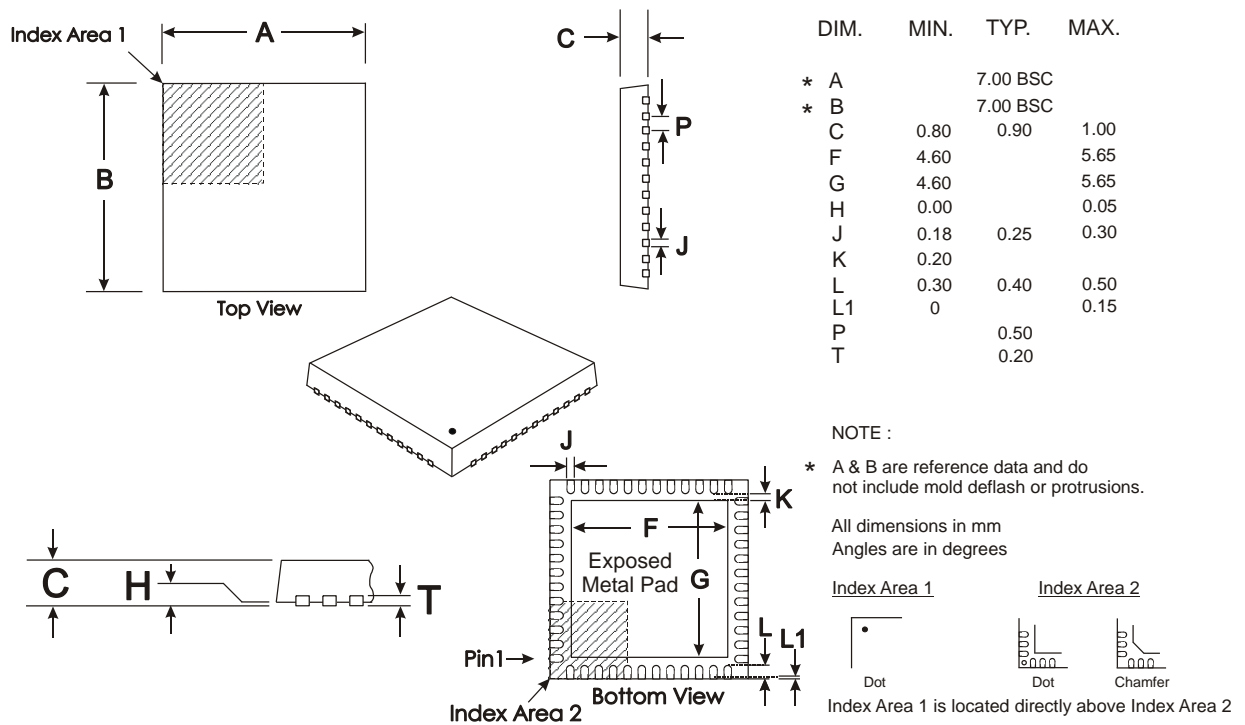


Figure 22 48-pin LQFP Mechanical Outline (L4)  
 Order as part no. CMX608/CMX618/CMX638L4



Depending on the method of lead termination at the edge of the package, pull back (L1) may be present.

L minus L1 to be equal to, or greater than 0.3mm

The underside of the package has an exposed metal pad which should ideally be soldered to the pcb to enhance the thermal conductivity and mechanical strength of the package fixing. Where advised, an electrical connection to this metal pad may also be required

**Figure 23 48-pin VQFN Mechanical Outline (Q3)**

**Order as part no. CMX608/CMX618/CMX638Q3**

As package dimensions may change after publication of this datasheet, it is recommended that you check for the latest Packaging Information from the Datasheets page of the CML website:

<http://www.cmlmicro.com/>.

## RALCWI™ Vocoder

- ❖ CML's proprietary RALCWI™ vocoder technology, is supplied under CML's RALCWI end user license agreement. A copy of the CML RALCWI™ end user license agreement is available on request from CML Microcircuits. The CMX608, CMX618 and CMX638 products include embedded RALCWI™ vocoder technology which is provided free of royalties in these devices.

Handling precautions: This product includes input protection, however, precautions should be taken to prevent device damage from electro-static discharge. CML does not assume any responsibility for the use of any circuitry described. No IPR or circuit patent licences are implied. CML reserves the right at any time without notice to change the said circuitry and this product specification. CML has a policy of testing every product shipped using calibrated test equipment to ensure compliance with this product specification. Specific testing of all circuit parameters is not necessarily performed.

 <b>CML Microcircuits (UK) Ltd</b> <small>COMMUNICATION SEMICONDUCTORS</small>	 <b>CML Microcircuits (USA) Inc.</b> <small>COMMUNICATION SEMICONDUCTORS</small>	 <b>CML Microcircuits (Singapore) Pte Ltd</b> <small>COMMUNICATION SEMICONDUCTORS</small>
<b>Tel:</b> +44 (0)1621 875500 <b>Fax:</b> +44 (0)1621 875600 <b>Sales:</b> sales@cmlmicro.com  <b>Tech Support:</b> techsupport@cmlmicro.com	<b>Tel:</b> +1 336 744 5050 800 638 5577 <b>Fax:</b> +1 336 744 5054 <b>Sales:</b> us.sales@cmlmicro.com <b>Tech Support:</b> us.techsupport@cmlmicro.com	<b>Tel:</b> +65 62 888129 <b>Fax:</b> +65 62 888230 <b>Sales:</b> sg.sales@cmlmicro.com  <b>Tech Support:</b> sg.techsupport@cmlmicro.com
<b>- www.cmlmicro.com -</b>		