

SMD Power Chokes

BFSI Series



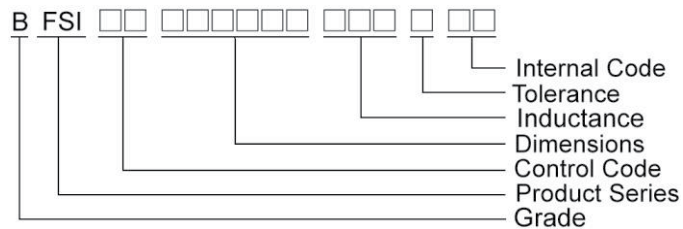
Features

- Shield construction
- Flat wire winding, achieve a low dc resistance
- Low loss, High efficiency, wide application frequency and application scope
- Lightweight design, save a space, suitable for high density SMT
- Heat dissipation

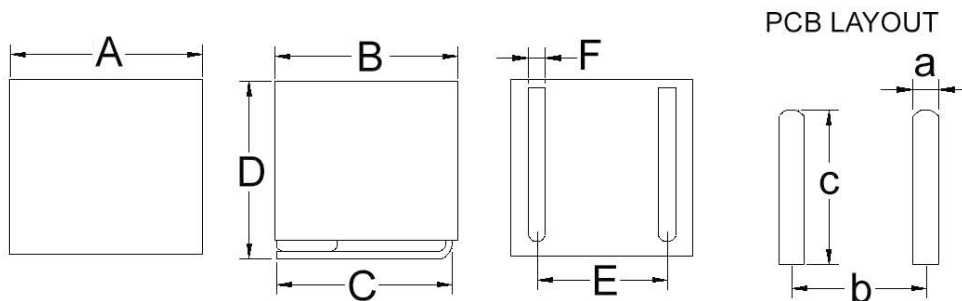
Applications

- Umpc/NBPC
- Desk Top/LCD monitor
- PDA/Lap Top
- Server systems/Computer lord plank
- Mobile Phone/ DV/HDD

Product Identification



Shapes and Dimensions



Dimensions in mm

TYPE	A	B	C	D	E	F	a	b	c
BFSI00090908	9.3Max	9.0Max	6.2±0.3	8.1±0.4	6.0±0.3	1.2±0.1	1.6	6	8
BFSI00121109	12±0.5	11±0.5	8.2±0.3	8.8Max	8.0±0.3	1.6±0.1	2.0	8	10

Electrical Characteristics

Part Number	Inductance (μH)	Tolerance (±%)	Test Frequency (kHz)	RDC(mΩ) Max(Typ)	Isat (A)Typ.	Irms (A)Typ.
BFSI00090908R68M05	0.68	20	100/1V	2(1.3)	38	36
BFSI000909081R0M05	1.0	20	100/1V	2.5(1.7)	31	34
BFSI000909081R5M05	1.5	20	100/1V	3.5(2.5)	28	28
BFSI000909082R2M05	2.2	20	100/1V	3.8(2.9)	24	25
BFSI000909083R3M05	3.3	20	100/1V	6.5(5.6)	19	17.5
BFSI000909084R7M05	4.7	20	100/1V	8.5(7)	17.5	15
BFSI000909086R8M05	6.8	20	100/1V	13(12)	14	12
BFSI000909088R2M05	8.2	20	100/1V	15(13.3)	12	11
BFSI00090908100M05	10	20	100/1V	15.5(13.8)	11	10

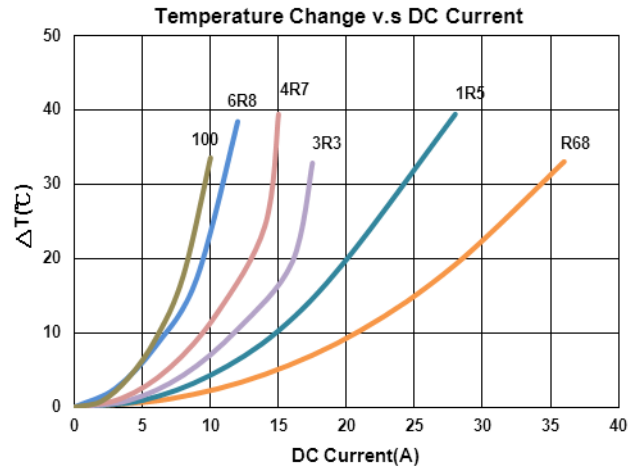
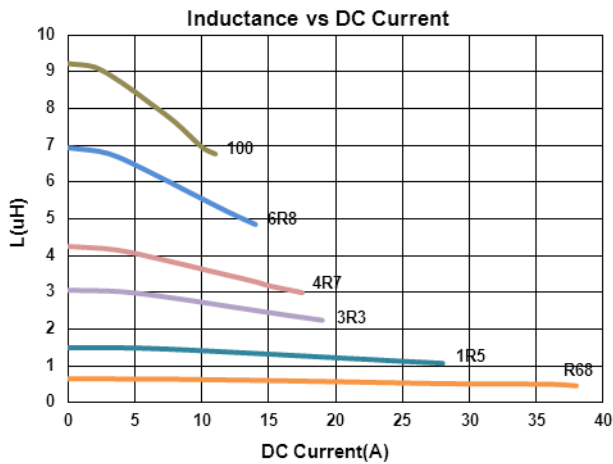
Note: When ordering, please specify tolerance code. Tolerance: M=±20%

- Customized Specifications are welcome
- Isat for Inductance drop 30% from its value with current
- I rms for a 40°C temperature rise from 25°C ambient with current
- Measure Equipment :

L : WK4237

RDC : CHEN HWA502

Isat & I rms : WK3260B/ 3265

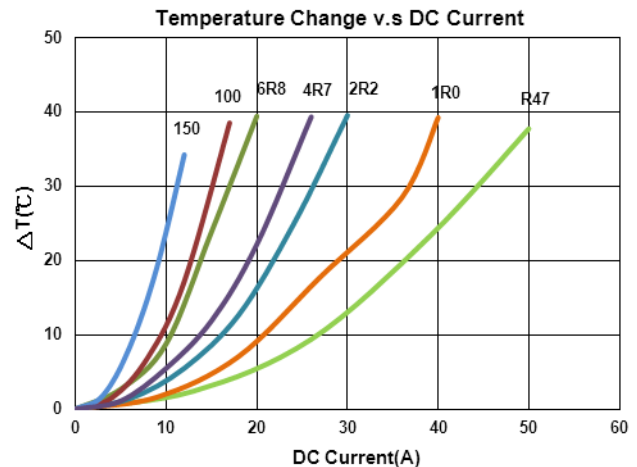
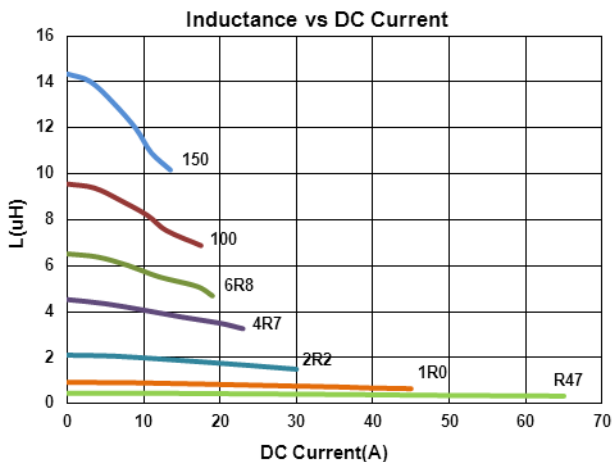


Electrical Characteristics

Part Number	Inductance (μH)	Tolerance (±%)	Test Frequency (kHz)	RDC(mΩ) Max(Typ)	Isat (A)Typ.	Irms (A)Typ.
BFSI00121109R47M05	0.47	20	100/1V	1.5(1.1)	65	50
BFSI001211091R0M05	1.0	20	100/1V	2.0(1.5)	45	40
BFSI001211091R5M05	1.5	20	100/1V	2.5(2.0)	36	33
BFSI001211092R2M05	2.2	20	100/1V	2.8(2.4)	30	30
BFSI001211093R3M05	3.3	20	100/1V	3.8(3.3)	26	26
BFSI001211094R7M05	4.7	20	100/1V	6.2(5.7)	23	20
BFSI001211095R6M05	5.6	20	100/1V	7.0(6.4)	21	18
BFSI001211096R8M05	6.8	20	100/1V	7.8(6.8)	19	17
BFSI001211098R2M05	8.2	20	100/1V	9.0(8.2)	18	16
BFSI00121109100M05	10	20	100/1V	12(11.3)	17.5	13
BFSI00121109150M05	15	20	100/1V	15(14.3)	13.5	11

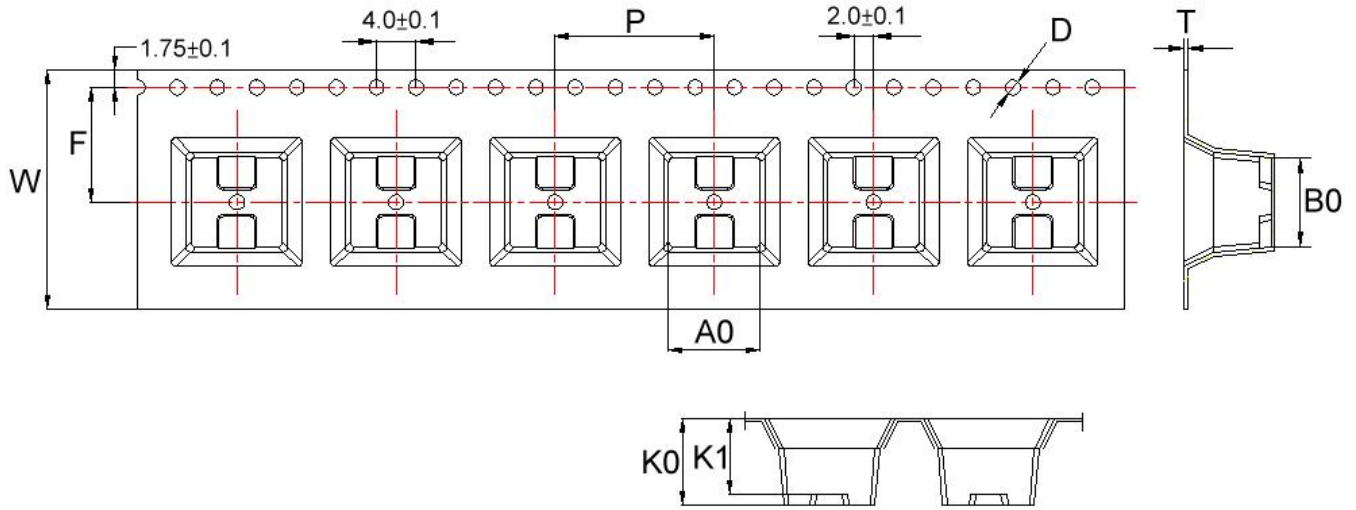
Note: When ordering, please specify tolerance code. Tolerance: M=±20%

- Customized Specifications are welcome
- Isat for Inductance drop 30% from its value with current
- I rms for a 40°C temperature rise from 25°C ambient with current
- Measure Equipment :
 L : WK4237
 RDC : CHEN HWA502
 Isat & I rms : WK3260B/ 3265

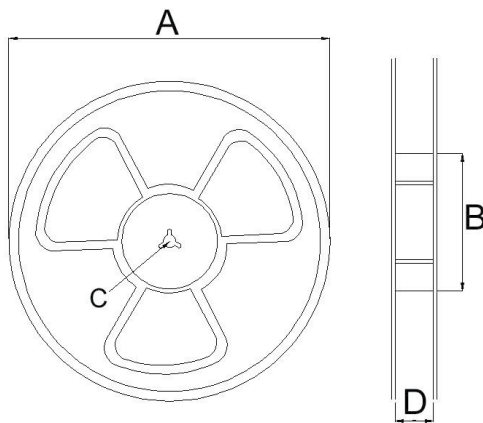


Packaging

Tape Dimensions



Reel Dimensions



SMD Power Chokes

BFSI Series

Dimensions in mm

TYPE	Tape Dimensions									Reel Dimensions				Quantity
	A0	B0	K0	K1	D	F	W	T	P	A	B	C	D	PCS / REEL
BFSI00090908	9.2	9	8.8	7.60	1.5	11.5	24	0.4	16	330	100	13	24.3	300
BFSI00121109	12.2	11	9.0	8.07	1.5	11.5	24	0.5	20	330	100	13	24.3	240

For More Information:

[Americas - prodinfo_power_americas@yageo.com](mailto:prodinfo_power_americas@yageo.com) | [Europe - prodinfo_power_emea@yageo.com](mailto:prodinfo_power_emea@yageo.com) | [Asia - prodinfo_power_asia@yageo.com](mailto:prodinfo_power_asia@yageo.com)

Performance warranty of products offered on this data sheet is limited to the parameters specified. Data is subject to change without notice. Other brand and product names mentioned herein may be trademarks or registered trademarks of their respective owners. © Copyright, 2022. Pulse Electronics, Inc. All rights reserved.