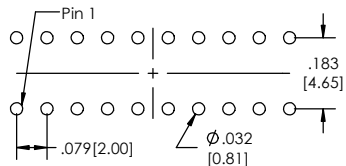
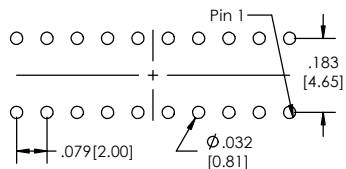


Recommended P.C. Board Layout
SCALE 4:1

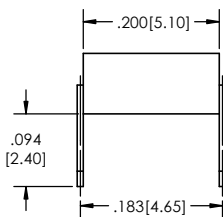


Single Row

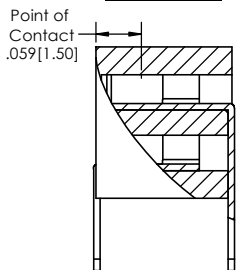


Double Row

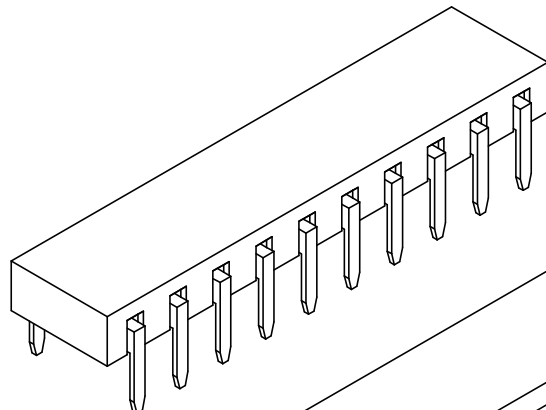
SINGLE ROW



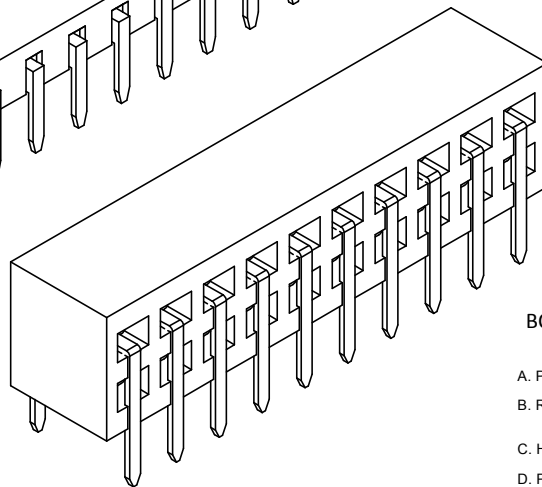
DOUBLE ROW



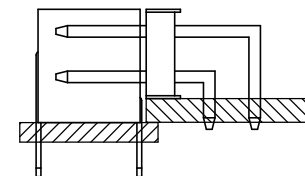
SINGLE ROW



DOUBLE ROW



APPLICATION



BCSS-2 [XX] - [X] - [08] - [XX] - [XXX] - [LF]
(A) (B) (C) (D) (E) (F)

- A. Pins Per Row - 1 through 40
- B. Row Specification - S= Single Row - D= Double Row
- C. Horizontal Entry - 08
- D. Plating Options - See Plating Options below
- E. Polarized Position - Leave blank if not needed - If required, specify empty pin position - e.g. 012 for Pin 12
- F. Lead Free

- Mates With:**
- BSTC TSHCRSM
 - BSTCM TSHR
 - BSTCR TSHRE
 - BSTCRSM TSHS
 - BSTS TSHSCM
 - TBSTC TTSHC
 - TBSTCM TTSHCR
 - TBSTS TTSHCRE
 - TSHC TSHR
 - TSHCR TTSHRE
 - TSHCRE TTSHS

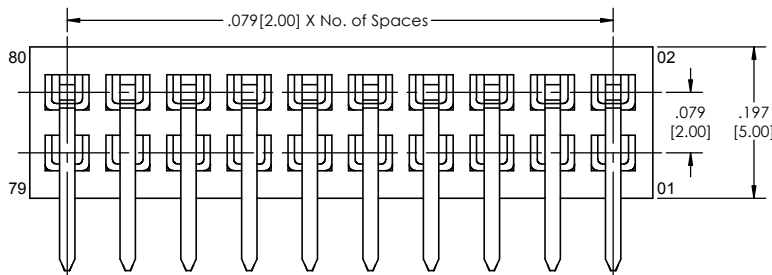
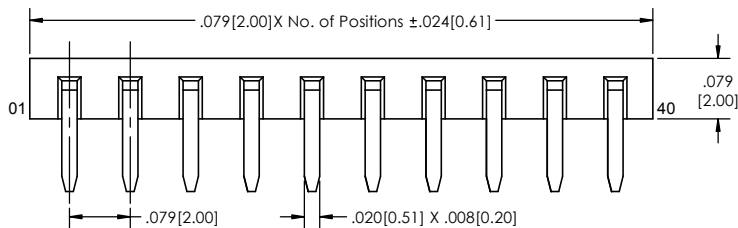
Plating options	
G	-10µ Gold on Contact Area/ Flash on Tail
T	-Matte Tin all Over
GT	-10µ Gold on Contact Area/ Matte Tin on Tail
H	-30µ Gold on Contact Area/ Matte Tin on Tail
F	-Gold Flash over Entire Pin
FT	-Gold Flash on Contact Area/ Matte Tin on Tail

Specifications:
 Insertion Force- Single Contact only- H Plating:
 3.7oz. [1.03] avg with .0197 [0.50mm] sq. pin
 Withdrawal Force- Single Contact only- H Plating:
 2.2oz. [0.61N] avg with .0197[0.50mm] sq. pin
 Current Rating: 2.0 Ampere
 Insulation Resistance: 1000M Ohms Min.
 Dielectric Withstanding: 500V AC
 Contact Resistance: 10M Ohms Max.
 Operation Temperature: -40°C to +105°C
 Max. Process Temperature
 Peak: 260°C up to 10 secs.
 Process: 230°C up to 60 secs.
 Wave: 260°C up to 6 secs.
 Manual Solder: 350°C up to 5 secs.

Materials:
 Contact Material: Phosphor Bronze
 Insulator Material: Nylon 6T
 Plating: Au or Sn over 50µ" (1.27) Ni

Tails may be clipped to achieve specific dimensions.

Products cut to specific sizes are uncancellable/ nonreturnable.
 Parts are subject to change without notice.



PROPRIETARY AND CONFIDENTIAL
 THE INFORMATION CONTAINED IN THIS DRAWING IS THE SOLE PROPERTY OF Major League Electronics. ANY REPRODUCTION IN PART OR AS A WHOLE WITHOUT THE WRITTEN PERMISSION OF Major League Electronics IS PROHIBITED.

UNLESS OTHERWISE SPECIFIED:		NAME		DATE	
DIMENSIONS ARE IN INCHES		DRAWN	EOW	01/21/15	
TOLERANCES:		CHECKED	GWE	01/21/15	
ONE DECIMALS ±.100		ENG APPR.			
TWO DECIMAL ±.010		MFG APPR.			
THREE DECIMAL ±.002		ADDRESS:			
FOUR DECIMAL ±.002		2533 Centennial Blvd. Jeffersonville, IN 47130 Phone: 812-670-4174 Fax: 812-670-4175 E-Mail: mle@milelectronics.com			
NEXT ASSY	USED ON	FINISH		TITLE: BCSS-2-H Series	
APPLICATION	DO NOT SCALE DRAWING	SIZE		DWG. NO.	REV
		C			B
		SCALE 8:1		SHEET 1 OF 1	

