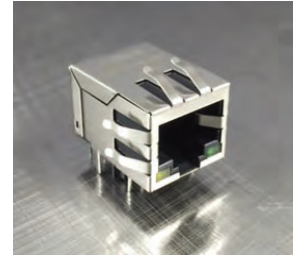


Single Port RJ45 Connector

AR11-4345

- 10/100/1000 Base T, Gigabit for Ethernet, LAN, WAN and other Ethernet Applications
- Impedance: 100OHMS
- RJ45 jack cavity conforms to FCC rules and regulations Part 68, SUB Part F
- Standard Operating Temp: 0°C to +70°C



Electrical Specifications @ 25°C

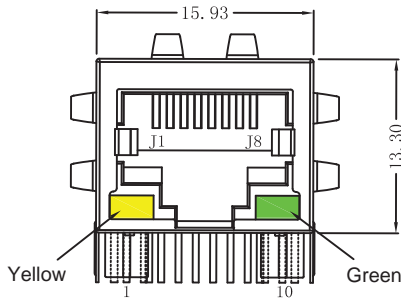
| Part Number | OCL(uH Min) @ 100kHz, 0.1V With 8mA DC Bias | Turns Ratio chip: cable (±3%) | Insertion Loss (dB Max) | Return Loss (dB Min) | | |
|-------------|---|-------------------------------------|----------------------------|-------------------------|----------|-----------|
| | | | 1-100MHz | 1-30MHz | 30-60MHz | 60-100MHz |
| AR11-4345 | 350 | 1CT:1CT | -1.0 | -16 | -14 | -12 |

Electrical Specifications @ 25°C

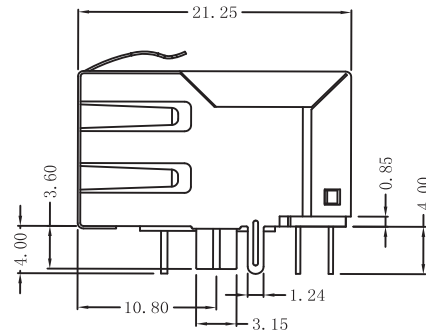
| Cross Talk (dB Min) | | | Common Mode Rejection: (dB Min) | | HI-POT (Vrms) |
|------------------------|----------|-----------|------------------------------------|-----------|------------------|
| 1-30MHz | 30-60MHz | 60-100MHz | 1-50MHz | 50-100MHz | |
| -40 | -35 | -30 | -30 | -20 | 1500 |

All specifications subject to change without notice.

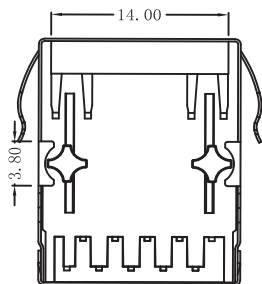
MECHANICAL



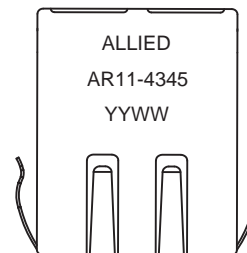
Front Side View



Left Side View



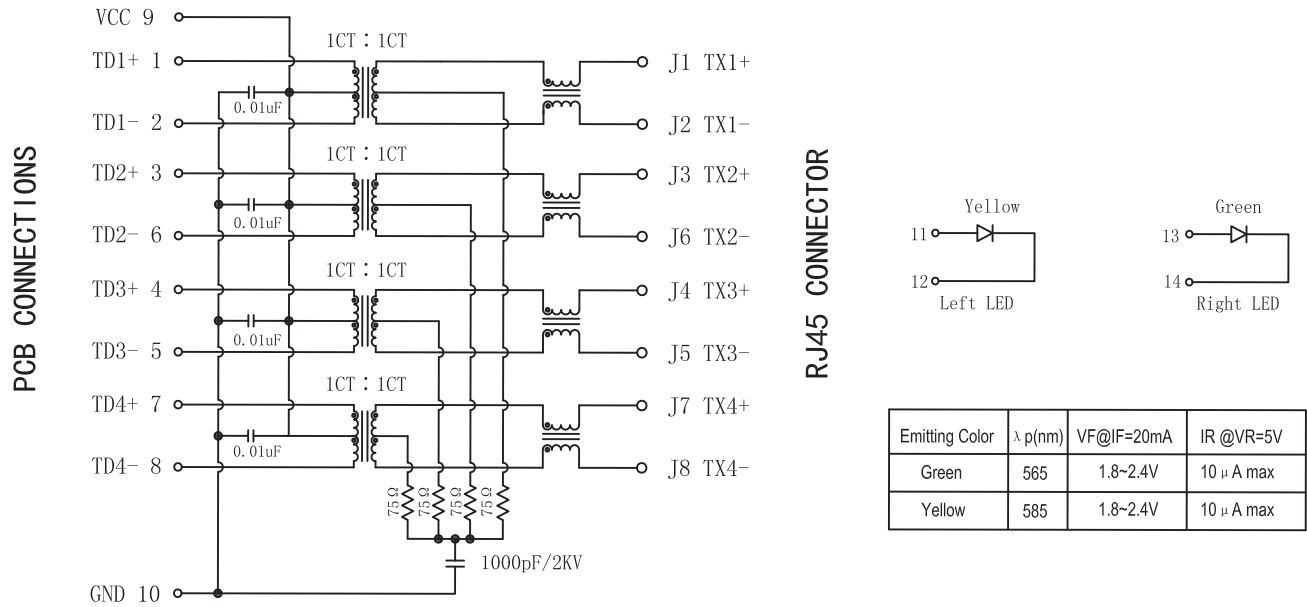
Bottom Side View



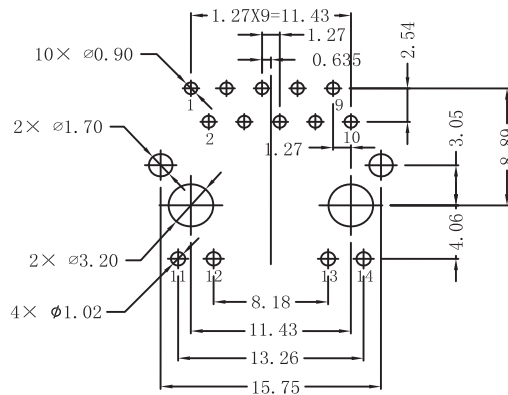
Top Side View



SCHEMATICS



PCB LAYOUT



Suggested PCB Layout (Top View)

NOTES

1. Meets IEEE 802.3 specification
2. Connector Materials:
 Housing Material: Thermoplastic PBT+30%G.F UL94V-0
 Contact Material: Phosphor Bronze C5210R-EH Thickness=0.35mm
 Pins: Brass C2680R-H Thickness=0.35mm
 Shield: SUS 201-1/2H Thickness=0.2mm
 Contact plating: Gold 6 micro-inches min. In contact area.
3. Wave solder tip temperature: 265°C Max, 5 Sec Max