

## Description

The DIODES™ AP7366EA is a 600mA, adjustable and fixed output voltage, low dropout linear regulator. This device includes pass element, error amplifier, band-gap, current limit and thermal shutdown circuitry. The device is turned on when EN pin is set to logic high level.

The characteristics of low dropout voltage and low quiescent current make it suitable for low power applications such as battery powered devices. The typical quiescent current is approximately 60µA. Built-in current-limit and thermal-shutdown functions prevent IC from damage in fault conditions.

This device is available with adjustable output from 0.8V to 5.0V, and fixed version with 1.0V, 1.2V, 1.5V, 1.8V, 2.0V, 2.5V, 2.8V, 3.0V, 3.3V, 3.6V and 3.9V outputs. Please contact your local sales office for other voltage options.

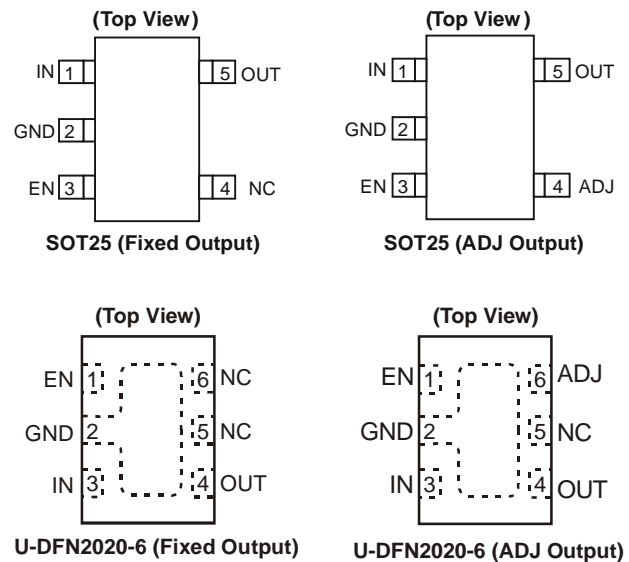
The AP7366EA is available in SOT25 and U-DFN2020-6 packages.

## Features

- 600mA Low Dropout Regulator with EN
- Low I<sub>q</sub>: 60µA
- Wide Input Voltage Range: 2.2V to 6V
- Wide Adjustable Output: 0.8V to 5.0V
- Fixed Output Options: 1.0V, 1.2V, 1.5V, 1.8V, 2.0V, 2.5V, 2.8V, 3.0V, 3.3V, 3.6V, 3.9V
- High PSRR: 75dB at 1kHz
- Fast Start-up Time: 150µs
- Stable with Low ESR, 1µF Ceramic Output Capacitor
- Excellent Load/Line Transient Response
- Low Dropout: 300mV at 600mA
- Current Limit and Short Circuit Protection
- Thermal Shutdown Protection
- Ambient Temperature Range: -40°C to +85°C
- **Totally Lead-Free & Fully RoHS Compliant (Notes 1 & 2)**
- **Halogen and Antimony Free. "Green" Device (Note 3)**
- **For automotive applications requiring specific change control (i.e. parts qualified to AEC-Q100/101/104/200, PPAP capable, and manufactured in IATF 16949 certified facilities), please [contact us](https://www.diodes.com/quality/product-definitions/) or your local Diodes representative.**  
<https://www.diodes.com/quality/product-definitions/>

Notes: 1. No purposely added lead. Fully EU Directive 2002/95/EC (RoHS), 2011/65/EU (RoHS 2) & 2015/863/EU (RoHS 3) compliant.  
2. See <https://www.diodes.com/quality/lead-free/> for more information about Diodes Incorporated's definitions of Halogen- and Antimony-free, "Green" and Lead-free.  
3. Halogen- and Antimony-free "Green" products are defined as those which contain <900ppm bromine, <900ppm chlorine (<1500ppm total Br + Cl) and <1000ppm antimony compounds.

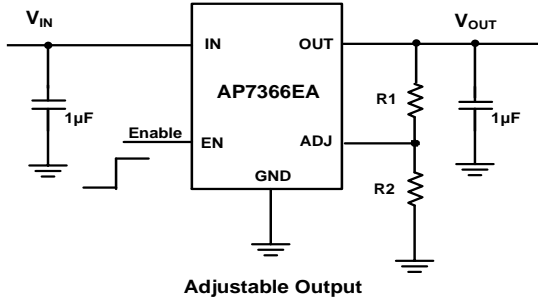
## Pin Assignments



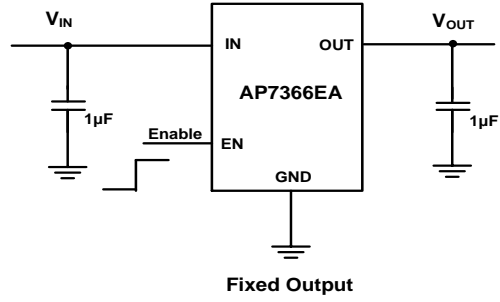
## Applications

- Servers and notebook computers
- Low and medium power applications
- FPGA and DSP cores or I/O powers
- Consumer electronics

**Typical Applications Circuit**



Adjustable Output



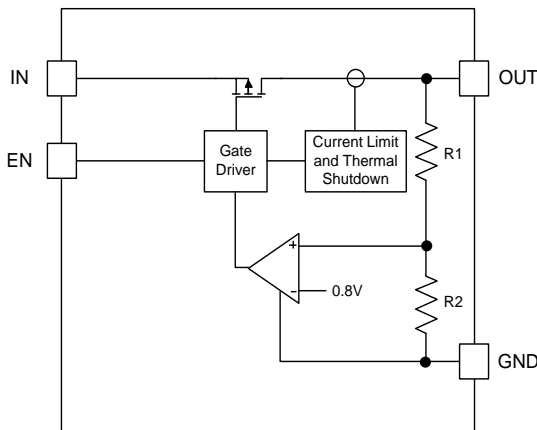
Fixed Output

$$V_{OUT} = V_{REF} \left( 1 + \frac{R_1}{R_2} \right) \text{ where } R_2 \leq 80k\Omega$$

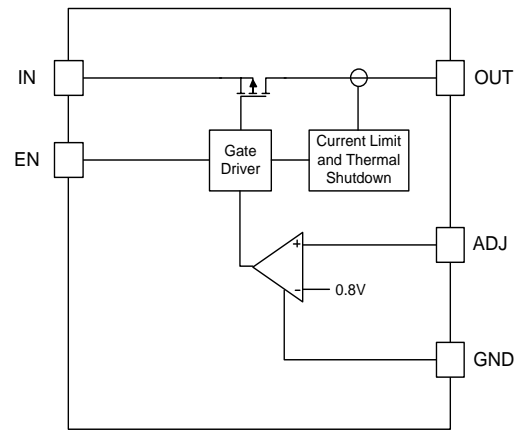
**Pin Descriptions**

Pin Name	Pin Number				Functions
	SOT25 (Fixed Output)	SOT25 (ADJ Output)	U-DFN2020-6 (Fixed Output)	U-DFN2020-6 (ADJ Output)	
IN	1	1	3	3	Voltage Input Pin. Bypass to ground through at least 1µF MLCC capacitor
GND	2	2	2	2	Ground
EN	3	3	1	1	Enable Input, Active High
ADJ	—	4	—	6	Output Feedback Pin
NC	4	—	5, 6	5	No Internal Connection. Leaving this pin floating does not affect the chip functionality.
OUT	5	5	4	4	Voltage Output Pin. Bypass to ground through 1µF MLCC capacitor

**Functional Block Diagram**



Fixed Output



Adjustable Output

### Absolute Maximum Ratings (@T<sub>A</sub> = +25°C, unless otherwise specified.)

Symbol	Parameter	Ratings	Unit
ESD HBM	Human Body Model ESD Protection	2000	V
ESD CDM	Charge Device Model	±1000	V
V <sub>IN</sub>	Input Voltage	6.5	V
—	OUT, EN Voltage	V <sub>IN</sub> +0.3	V
T <sub>ST</sub>	Storage Temperature Range	-65 to +150	°C
T <sub>J</sub>	Maximum Junction Temperature	+150	°C

### Recommended Operating Conditions (@T<sub>A</sub> = +25°C, unless otherwise specified.)

Symbol	Parameter	Min	Max	Unit
V <sub>IN</sub>	Input Voltage	2.2	6	V
V <sub>OUT</sub>	Output Voltage	0.8	5	V
I <sub>OUT</sub>	Output Current (Note 4)	0	600	mA
T <sub>A</sub>	Operating Ambient Temperature	-40	+85	°C

Note: 4. The device maintains a stable, regulated output voltage without a load current.

**Electrical Characteristics** (@T<sub>A</sub> = +25°C, V<sub>IN</sub> = V<sub>OUT</sub> + 1V, C<sub>OUT</sub> = 1μF, C<sub>IN</sub> = 1μF, V<sub>EN</sub> = V<sub>IN</sub>, unless otherwise specified.)

Symbol	Parameter	Test Conditions	Min	Typ	Max	Unit	
V <sub>REF</sub>	ADJ Reference Voltage (Adjustable Version)	I <sub>OUT</sub> = 10mA	0.788	0.8	0.812	V	
I <sub>ADJ</sub>	ADJ Leakage (Adjustable Version)	—	—	0.1	0.5	μA	
I <sub>Q</sub>	Input Quiescent Current	V <sub>EN</sub> = V <sub>IN</sub> , I <sub>OUT</sub> = 0mA	—	60	80	μA	
V <sub>OUT</sub>	Output Voltage Accuracy	I <sub>OUT</sub> = 10mA	1.0V ≤ V <sub>OUT</sub> < 1.5V	V <sub>OUT</sub> - 0.015	V <sub>OUT</sub>	V <sub>OUT</sub> + 0.015	V
			1.5V ≤ V <sub>OUT</sub> ≤ 3.9V	V <sub>OUT</sub> * 0.99	V <sub>OUT</sub>	V <sub>OUT</sub> * 1.01	%
I <sub>SHDN</sub>	Input Shutdown Current	V <sub>EN</sub> = 0V, I <sub>OUT</sub> = 0mA	-1.0	0.05	1.0	μA	
ΔV <sub>OUT</sub> / ΔV <sub>IN</sub> / V <sub>OUT</sub>	Line Regulation	V <sub>IN</sub> = (V <sub>OUT</sub> + 1V) to 5.5V I <sub>OUT</sub> = 10mA	T <sub>A</sub> = +25°C	—	0.01	0.1	% / V
			-40°C ≤ T <sub>A</sub> ≤ +85°C	—	—	0.2	
ΔV <sub>OUT</sub> / V <sub>OUT</sub>	Load Regulation	I <sub>OUT</sub> = 1mA to 600mA	1.2V < V <sub>OUT</sub> ≤ 3.9V	-1.0	—	+1.0	%
			1.0V ≤ V <sub>OUT</sub> ≤ 1.2V	-1.5	—	+1.5	
V <sub>DROPOUT</sub>	Dropout Voltage (Note 5)	V <sub>OUT</sub> = 1.0V, I <sub>OUT</sub> = 300mA	—	650	900	mV	
		V <sub>OUT</sub> = 1.2V, I <sub>OUT</sub> = 300mA	—	480	700		
		V <sub>OUT</sub> = 1.5V, I <sub>OUT</sub> = 300mA	—	200	340		
		V <sub>OUT</sub> = 1.8V, I <sub>OUT</sub> = 300mA	—	160	250		
		V <sub>OUT</sub> = 2.0V, I <sub>OUT</sub> = 300mA	—	140	200		
		V <sub>OUT</sub> = 2.5V, I <sub>OUT</sub> = 300mA	—	125	190		
		V <sub>OUT</sub> = 2.8V, I <sub>OUT</sub> = 300mA	—	115	180		
		V <sub>OUT</sub> = 3.0V, I <sub>OUT</sub> = 300mA	—	110	170		
		V <sub>OUT</sub> = 3.3V, I <sub>OUT</sub> = 300mA	—	105	160		
		V <sub>OUT</sub> = 3.6V, I <sub>OUT</sub> = 300mA	—	105	160		
V <sub>DROPOUT</sub>	Dropout Voltage (Note 5)	V <sub>OUT</sub> = 1.0V, I <sub>OUT</sub> = 600mA	—	850	1200	mV	
		V <sub>OUT</sub> = 1.2V, I <sub>OUT</sub> = 600mA	—	800	1000		
		V <sub>OUT</sub> = 1.5V, I <sub>OUT</sub> = 600mA	—	450	700		
		V <sub>OUT</sub> = 1.8V, I <sub>OUT</sub> = 600mA	—	320	420		
		V <sub>OUT</sub> = 2.0V, I <sub>OUT</sub> = 600mA	—	285	400		
		V <sub>OUT</sub> = 2.5V, I <sub>OUT</sub> = 600mA	—	250	380		
		V <sub>OUT</sub> = 2.8V, I <sub>OUT</sub> = 600mA	—	230	350		
		V <sub>OUT</sub> = 3.0V, I <sub>OUT</sub> = 600mA	—	220	330		
		V <sub>OUT</sub> = 3.3V, I <sub>OUT</sub> = 600mA	—	210	320		
		V <sub>OUT</sub> = 3.6V, I <sub>OUT</sub> = 600mA	—	210	320		
PSRR	PSRR (Note 6)	f = 1kHz, I <sub>OUT</sub> = 100mA	—	75	—	dB	
		f = 10kHz, I <sub>OUT</sub> = 100mA	—	55	—	dB	
I <sub>SHORT</sub>	Short-Circuit Current	V <sub>IN</sub> = V <sub>OUT</sub> + 1V Output Voltage < 15% of V <sub>OUT</sub>	—	250	—	mA	
t <sub>ST</sub>	Start-up Time	V <sub>OUT</sub> = 0V to 3.0V R <sub>L</sub> = 30Ω	—	150	—	μs	
I <sub>LIMIT</sub>	Current Limit	V <sub>IN</sub> = V <sub>OUT</sub> + 1V	0.66	1.0	—	A	
V <sub>IL</sub>	EN Input Logic Low Voltage	V <sub>IN</sub> = V <sub>IN-Min</sub> to V <sub>IN-Max</sub>	—	—	0.3	V	
V <sub>IH</sub>	EN Input Logic High Voltage	V <sub>IN</sub> = V <sub>IN-Min</sub> to V <sub>IN-Max</sub>	1.0	—	V <sub>IN</sub>	V	
I <sub>EN</sub>	EN Input Leakage Current	V <sub>IN</sub> = 5.5V or V <sub>EN</sub> = 0V	-0.1	—	+0.1	μA	
T <sub>SHDN</sub>	Thermal Shutdown Threshold	—	—	+150	—	°C	
T <sub>HYS</sub>	Thermal Shutdown Hysteresis	—	—	+20	—	°C	

Notes: 5. Dropout voltage is the voltage difference between the input and the output at which the output voltage drops 2% below its nominal value. This parameter only applies to input voltages above minimum V<sub>IN</sub> = 2.2V.  
6. At V<sub>IN</sub> < 2.3V, the PSRR performance may be reduced.

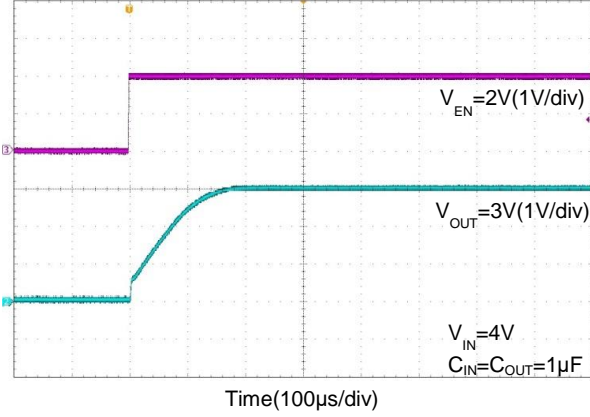
**Electrical Characteristics** (continued) (@T<sub>A</sub> = +25°C, V<sub>IN</sub> = V<sub>OUT</sub> + 1V, C<sub>OUT</sub> = 1μF, C<sub>IN</sub> = 1μF, V<sub>EN</sub> = V<sub>IN</sub>, unless otherwise specified.)

Symbol	Parameter	Test Conditions	Min	Typ	Max	Unit
R <sub>ENPD</sub>	EN Pull-Down Resistor	—	—	3	—	MΩ
R <sub>PD</sub>	Output Discharge Resistor	V <sub>OL</sub> = 1V	—	100	—	Ω
$\frac{\Delta V_{OUT}}{\Delta T_A / V_{OUT}}$	Output Voltage Temperature Coefficient	I <sub>OUT</sub> = 100mA, -40°C ≤ T <sub>A</sub> ≤ +85°C	—	±100	—	ppm/°C
θ <sub>JA</sub>	Thermal Resistance Junction-to-Ambient (Note 7)	SOT25	—	139	—	°C/W
		U-DFN2020-6	—	46.2	—	
θ <sub>JC</sub>	Thermal Resistance Junction-to-Case (Note 7)	SOT25	—	38.8	—	°C/W
		U-DFN2020-6	—	13	—	

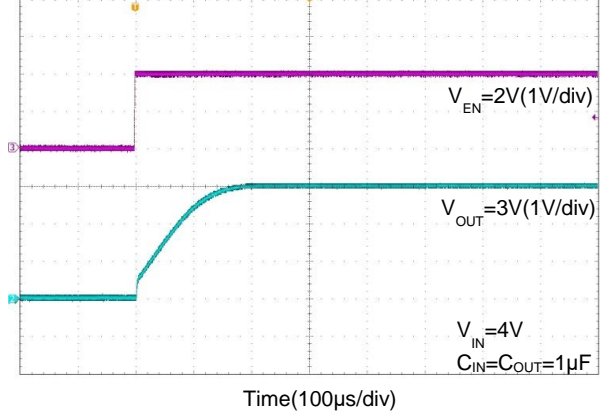
Note: 7. Ratings apply to ambient temperature at +25°C. The JEDEC STD.51 High-K board design used to derive this data was a 3 inch x 3 inch multilayer board with 1oz. internal power and ground planes and 2oz. copper traces on the top and bottom of the board.

**Typical Performance Characteristics**

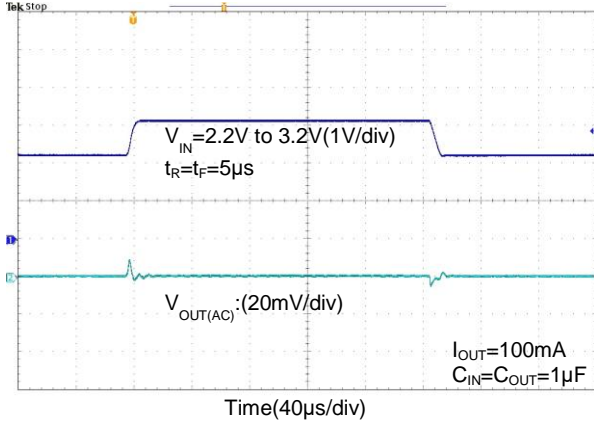
Start-up Time  
 $I_{OUT}=50\text{mA}$



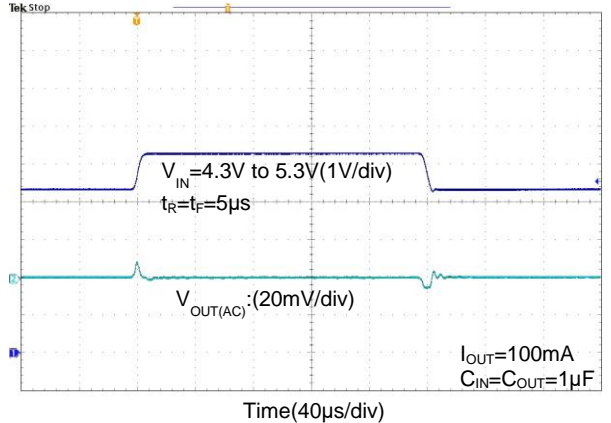
Start-up Time  
 $I_{OUT}=100\text{mA}$



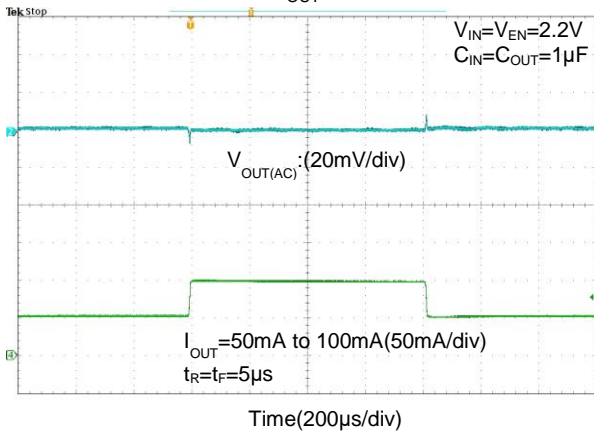
Line Transient Response  
 $V_{OUT}=1\text{V}$



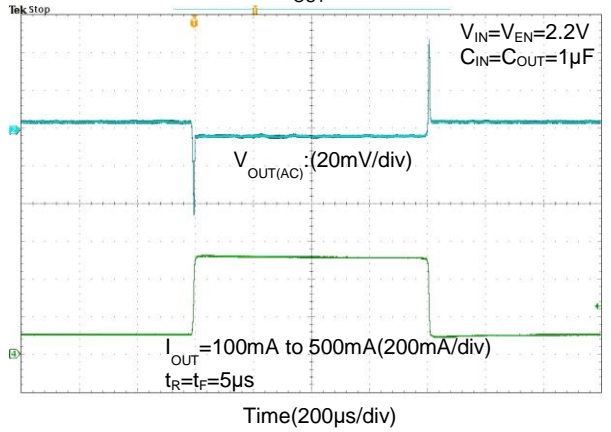
Line Transient Response  
 $V_{OUT}=3.3\text{V}$



Load Transient Response  
 $V_{OUT}=1\text{V}$



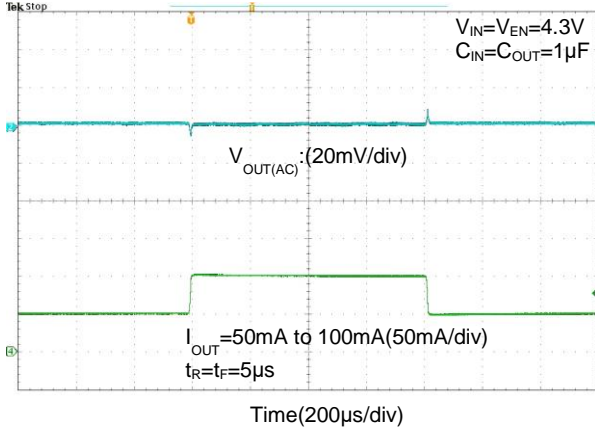
Load Transient Response  
 $V_{OUT}=1\text{V}$



**Typical Performance Characteristics** (continued)

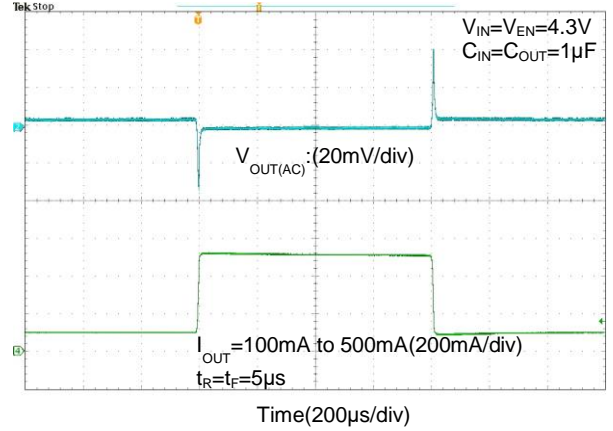
Load Transient Response

$V_{OUT}=3.3V$



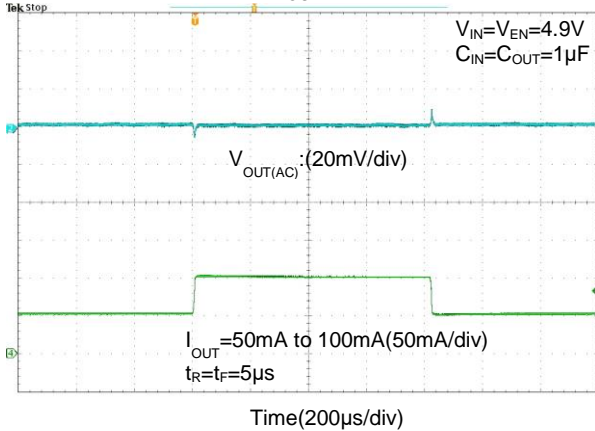
Load Transient Response

$V_{OUT}=3.3V$



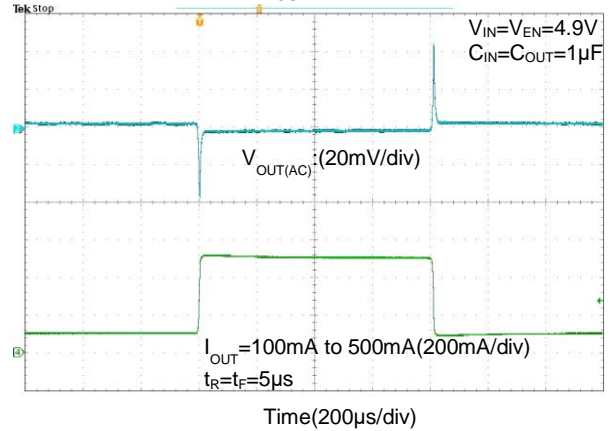
Load Transient Response

$V_{OUT}=3.9V$

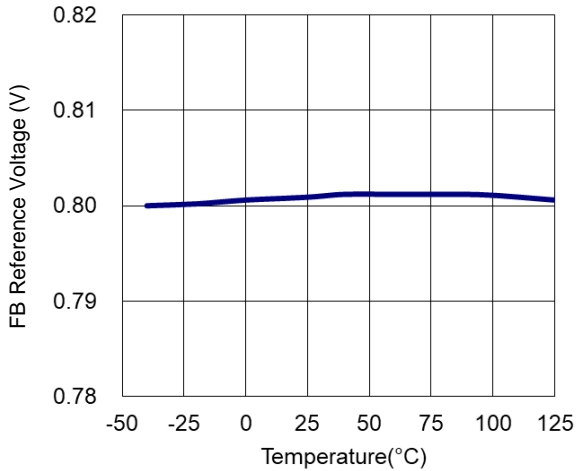


Load Transient Response

$V_{OUT}=3.9V$

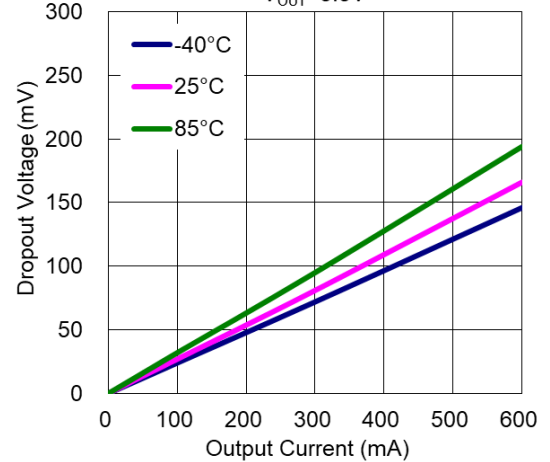


FB Reference Voltage vs. Temperature

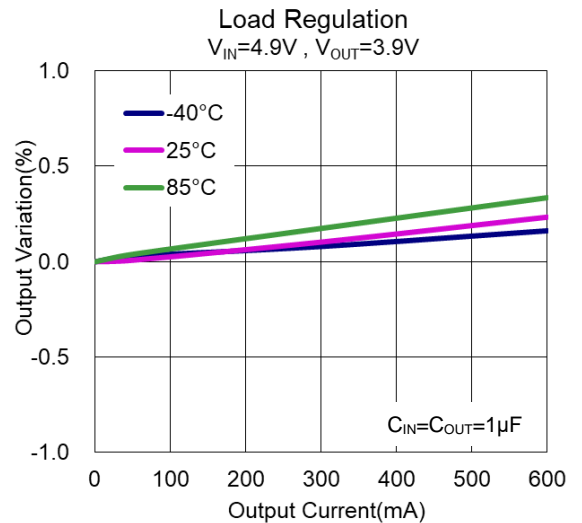
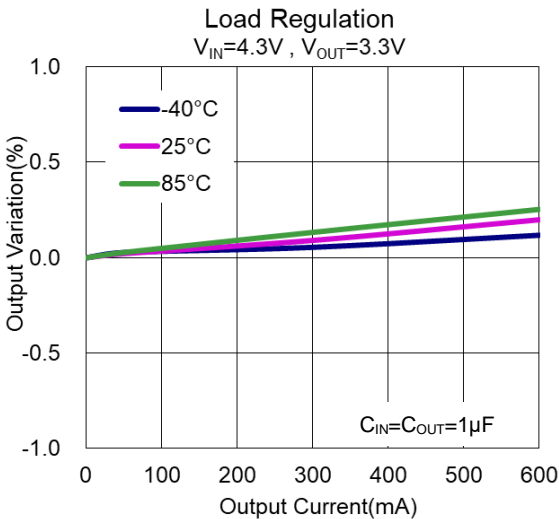
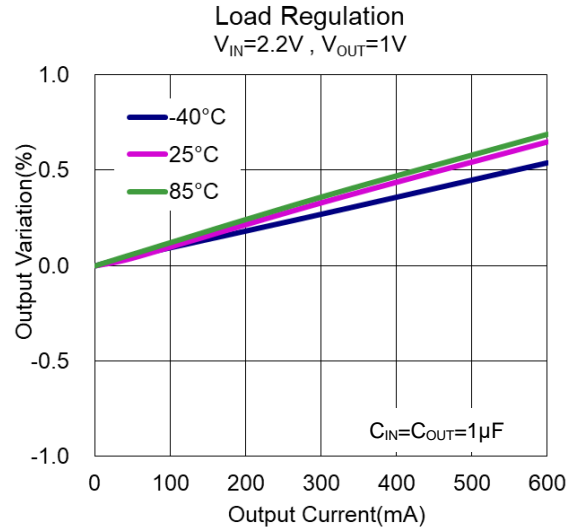
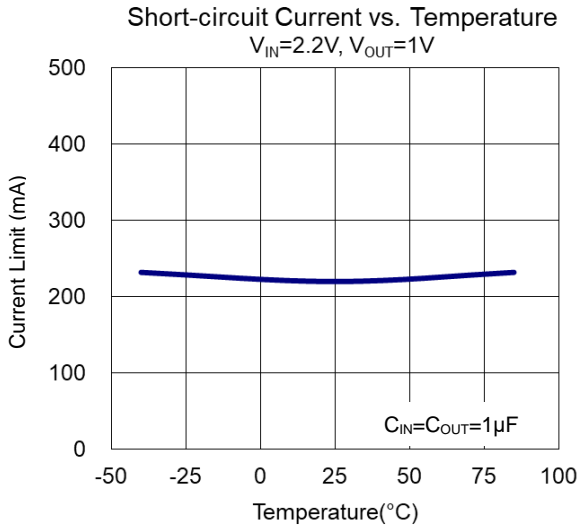
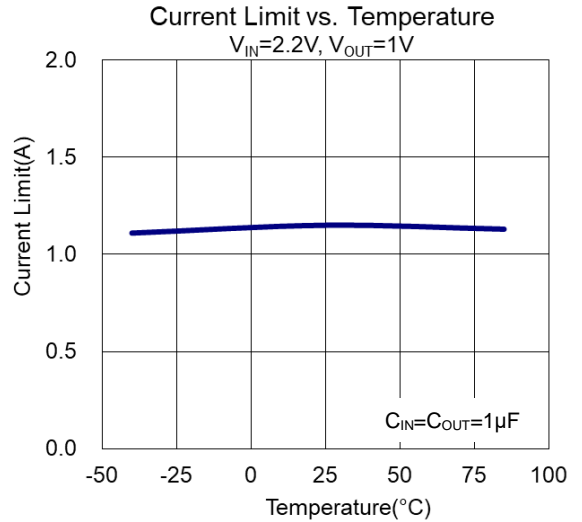
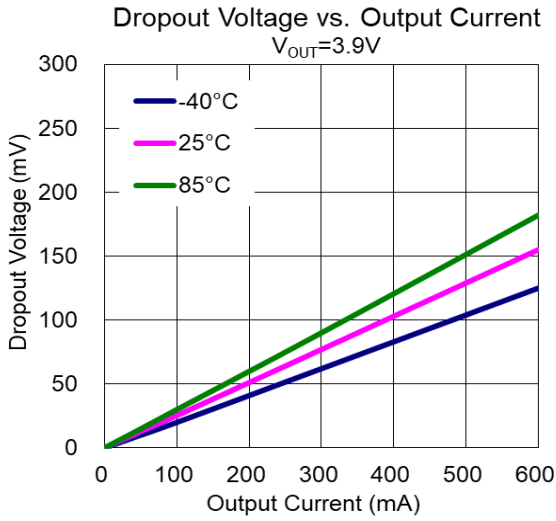


Dropout Voltage vs. Output Current

$V_{OUT}=3.3V$

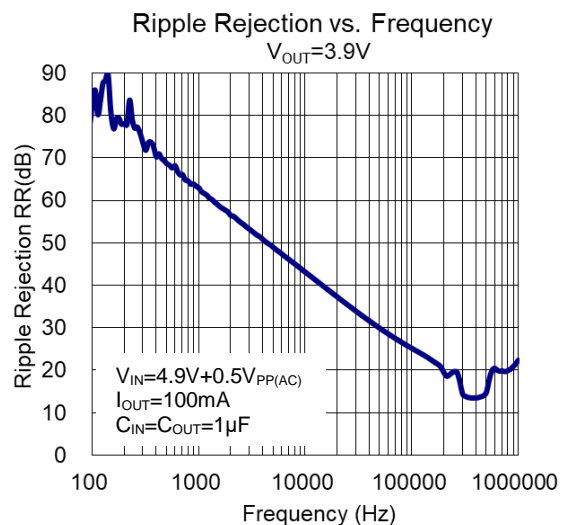
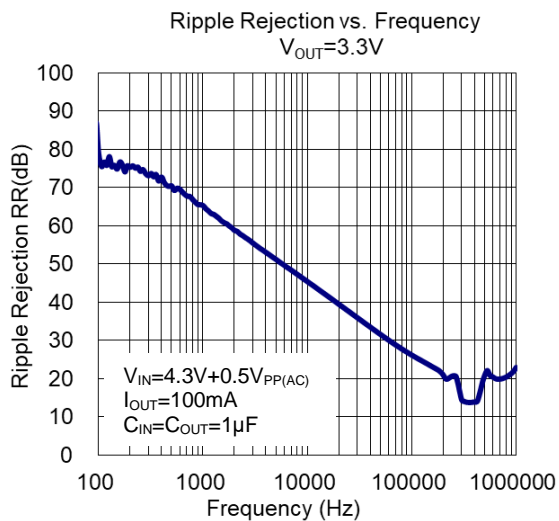
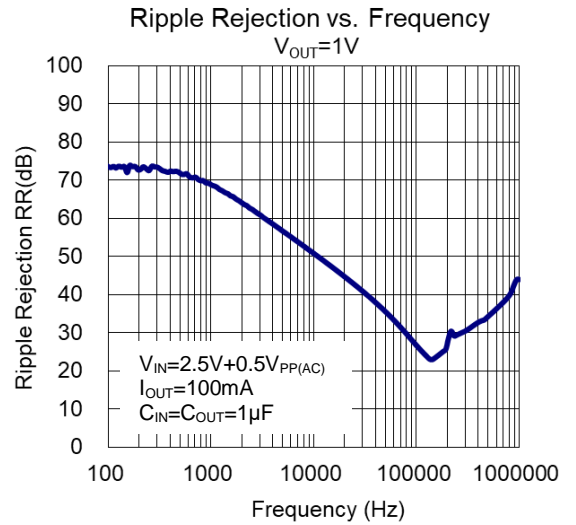
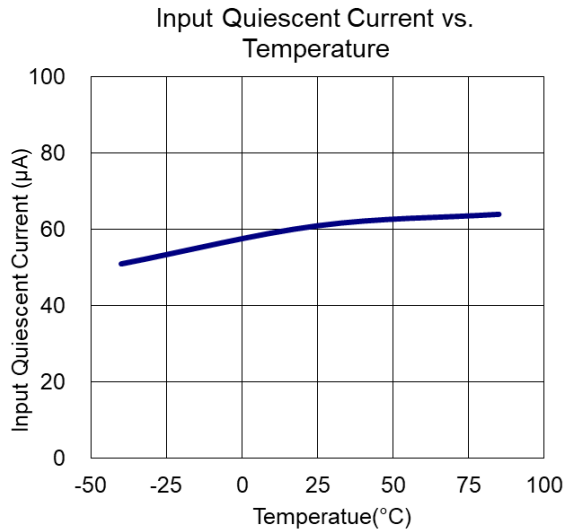
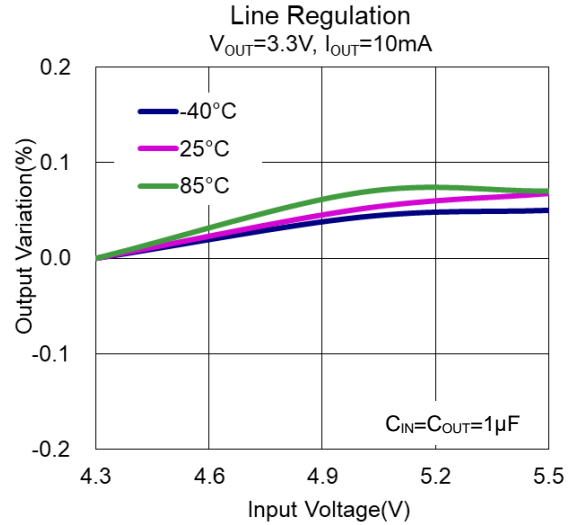
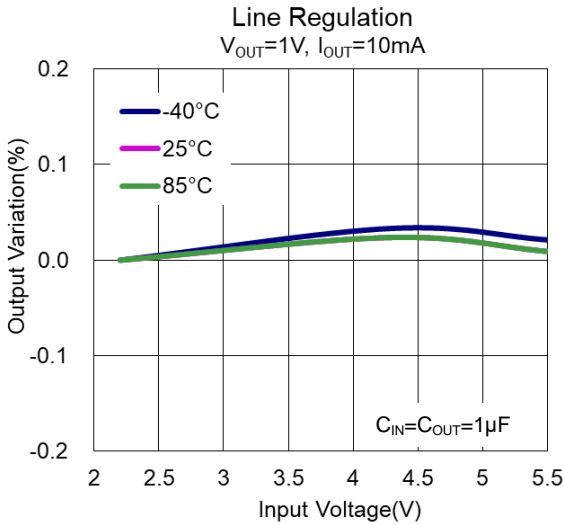


**Typical Performance Characteristics** (continued)





**Typical Performance Characteristics** (continued)



## Application Information

### Input Capacitor

A 1 $\mu$ F ceramic capacitor is recommended between IN and GND pins to decouple input power supply glitch and noise. The amount of the capacitance may be increased without limit. This input capacitor must be located as close as possible to the device to ensure input stability and reduce noise. For PCB layout, a wide copper trace is required for both IN and GND pins. A lower ESR capacitor type allows the use of less capacitance, while higher ESR type requires more capacitance.

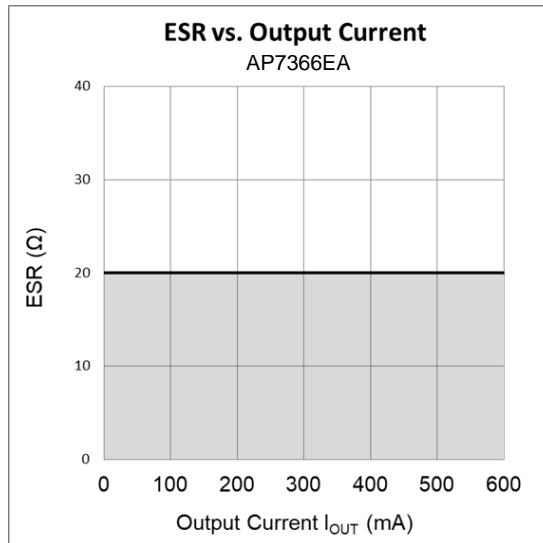
### Output Capacitor

The output capacitor is required to stabilize and improve the transient response of the LDO. The AP7366EA is stable with very small ceramic output capacitors. Using a ceramic capacitor value that is at least 1 $\mu$ F on the output ensures stability. Higher capacitance values help to improve line and load transient response. The output capacitance may be increased to keep low undershoot and overshoot. Output capacitor must be placed as close as possible to OUT and GND pins.

### ESR vs. Output Current

Ceramic type output capacitor is recommended for this series; however, the other output capacitors with low ESR also can be used. The relations between I<sub>OUT</sub> (Output Current) and ESR of an output capacitor are shown below. The stable region for the safety operating temperature (-40°C to +85°C) is marked as the gray area in the graph.

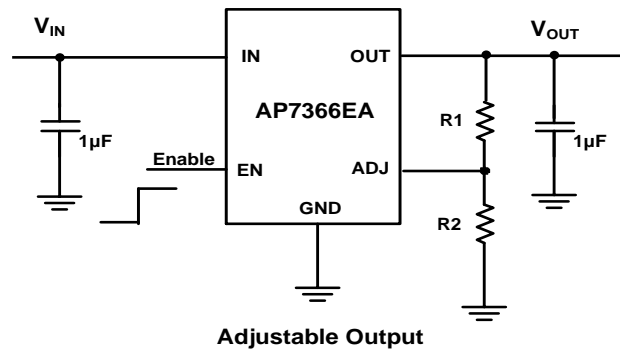
Measurement conditions: Frequency Band: 10Hz to 2MHz, Temperature: -40°C to +85°C.



## Application Information (continued)

### Adjustable Operation

The AP7366EA provides output voltage from 0.8V to 5.0V through external resistor divider as shown below.



The output voltage is calculated by:

$$V_{OUT} = V_{REF} \left( 1 + \frac{R_1}{R_2} \right)$$

Where  $V_{REF} = 0.8V$  (the internal reference voltage)

Rearranging the equation will give the following that is used for adjusting the output to a particular voltage:

$$R_1 = R_2 \left( \frac{V_{OUT}}{V_{REF}} - 1 \right)$$

To maintain the stability of the internal reference voltage,  $R_2$  needs to be kept smaller than 80k $\Omega$ .

### No Load Stability

Other than external resistor divider, no minimum load is required to keep the device stable. The device will remain stable and regulated in no load condition.

### ON/OFF Input Operation

The AP7366EA is turned on by setting the EN pin high, and is turned off by pulling it low. If this feature is not used, the EN pin should be tied to IN pin to keep the regulator output on at all time. To ensure proper operation, the signal source used to drive the EN pin must be able to swing above and below the specified turn-on/off voltage thresholds listed in the *Electrical Characteristics* section under  $V_{IL}$  and  $V_{IH}$ .

### Current Limit Protection

When output current at OUT pin is higher than current limit threshold, the current limit protection will be triggered and clamp the output current to prevent over-current and to protect the regulator from damage due to overheating.

### Short Circuit Protection

When OUT pin is short-circuit to GND, short circuit protection will be triggered and clamp the output current to approximately 250mA. Full current is restored when the output voltage exceeds 15% of  $V_{OUT}$ . This feature protects the regulator from over-current and damage due to overheating.

### Thermal Shutdown Protection

Thermal protection disables the output when the junction temperature rises to approximately +150°C, allowing the device to cool down. When the junction temperature reduces to approximately +130°C, the output circuitry is enabled again. Depending on power dissipation, thermal resistance, and ambient temperature, the thermal protection circuit may cycle on and off. This cycling limits the heat dissipation of the regulator, protecting it from damage due to overheating.

## Application Information (continued)

### Ultra Fast Start-up

After enabled, the AP7366EA is able to provide full power in as little as tens of microseconds, typically 200µs, without sacrificing low ground current. This feature will help load circuitry move in and out of standby mode in real time, eventually extending battery life for mobile phones and other portable devices.

### Low Quiescent Current

The AP7366EA, consuming only around 60µA for all input range, provides great power saving in portable and low power applications.

### Power Dissipation

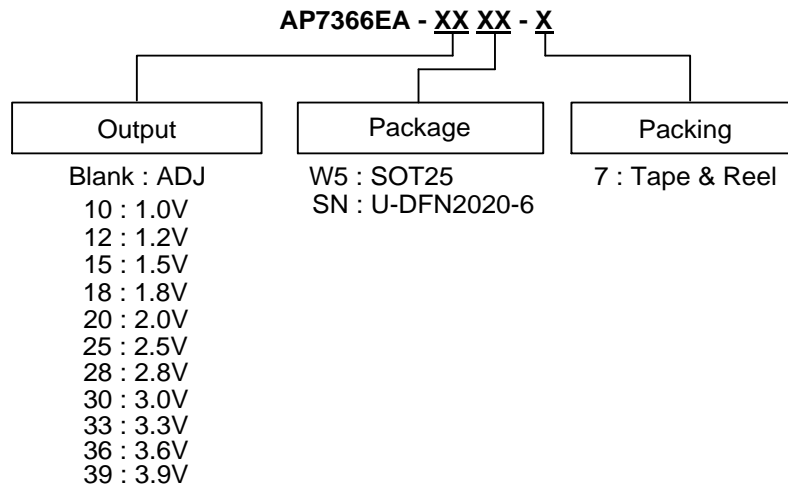
The device power dissipation and proper sizing of the thermal plane that is connected to the thermal pad is critical to avoid thermal shutdown and ensure reliable operation. Power dissipation of the device depends on input voltage and load conditions and can be calculated by:

$$P_D = (V_{IN} - V_{OUT}) \times I_{OUT}$$

The maximum power dissipation, handled by the device, depends on the maximum junction to ambient thermal resistance, maximum ambient temperature, and maximum device junction temperature, which can be calculated by the equation in the following.

$$P_D(\max@T_A) = \frac{(+150^\circ\text{C} - T_A)}{R_{\theta JA}}$$

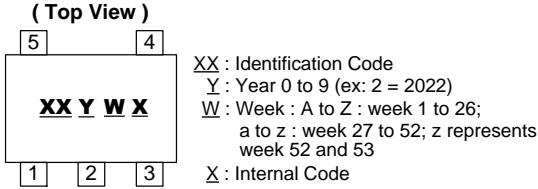
## Ordering Information



Part Number	Part Number Suffix	Package	Package Code	Packing	
				Qty.	Carrier
AP7366EA-W5-7	-7	SOT25	W5	3,000	7" Tape & Reel
AP7366EA-XXW5-7	-7	SOT25	W5	3,000	7" Tape & Reel
AP7366EA-SN-7	-7	U-DFN2020-6	SN	3,000	7" Tape & Reel
AP7366EA-XXSN-7	-7	U-DFN2020-6	SN	3,000	7" Tape & Reel

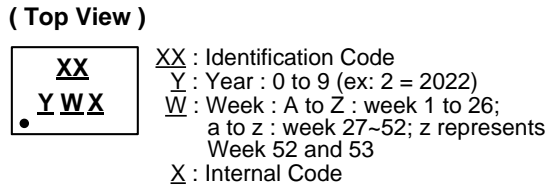
**Marking Information**

(1) SOT25



Part Number	Package	Identification Code
AP7366EA-W5-7	SOT25	9E
AP7366EA-10W5-7	SOT25	9F
AP7366EA-12W5-7	SOT25	9G
AP7366EA-15W5-7	SOT25	9H
AP7366EA-18W5-7	SOT25	9J
AP7366EA-20W5-7	SOT25	9K
AP7366EA-25W5-7	SOT25	9M
AP7366EA-28W5-7	SOT25	9N
AP7366EA-30W5-7	SOT25	9P
AP7366EA-33W5-7	SOT25	9R
AP7366EA-36W5-7	SOT25	9S
AP7366EA-39W5-7	SOT25	9T

(2) U-DFN2020-6

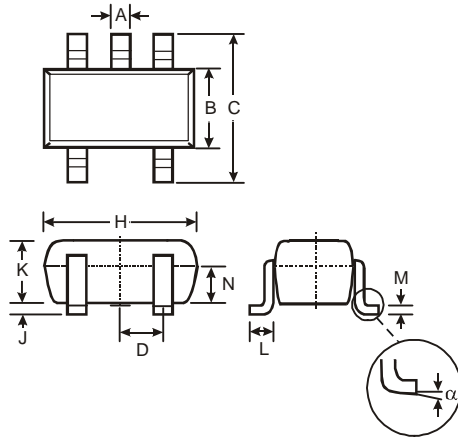


Part Number	Package	Identification Code
AP7366EA-SN-7	U-DFN2020-6	9E
AP7366EA-10SN-7	U-DFN2020-6	9F
AP7366EA-12SN-7	U-DFN2020-6	9G
AP7366EA-15SN-7	U-DFN2020-6	9H
AP7366EA-18SN-7	U-DFN2020-6	9J
AP7366EA-20SN-7	U-DFN2020-6	9K
AP7366EA-25SN-7	U-DFN2020-6	9M
AP7366EA-28SN-7	U-DFN2020-6	9N
AP7366EA-30SN-7	U-DFN2020-6	9P
AP7366EA-33SN-7	U-DFN2020-6	9R
AP7366EA-36SN-7	U-DFN2020-6	9S
AP7366EA-39SN-7	U-DFN2020-6	9T

## Package Outline Dimensions

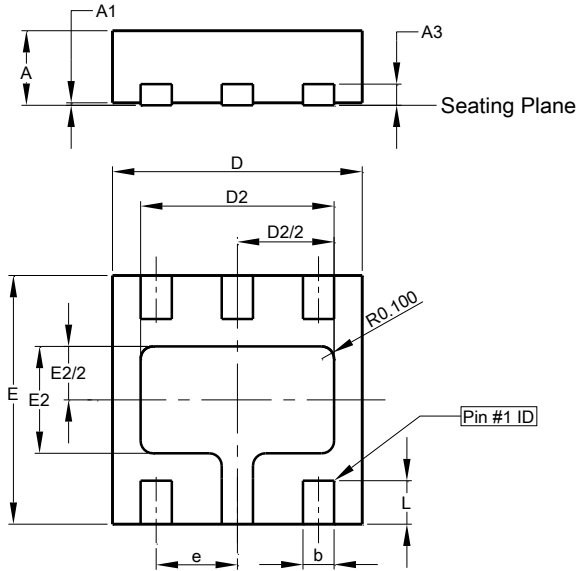
Please see <http://www.diodes.com/package-outlines.html> for the latest version.

### (1) Package Type: SOT25



SOT25			
Dim	Min	Max	Typ
A	0.35	0.50	0.38
B	1.50	1.70	1.60
C	2.70	3.00	2.80
D	-	-	0.95
H	2.90	3.10	3.00
J	0.013	0.10	0.05
K	1.00	1.30	1.10
L	0.35	0.55	0.40
M	0.10	0.20	0.15
N	0.70	0.80	0.75
α	0°	8°	-
All Dimensions in mm			

### (2) Package Type: U-DFN2020-6

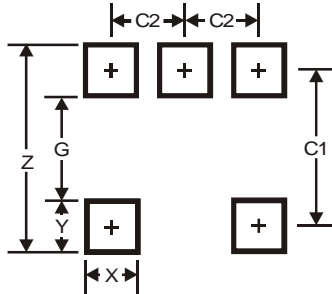


U-DFN2020-6			
Dim	Min	Max	Typ
A	0.57	0.63	0.60
A1	0	0.05	0.03
A3	-	-	0.15
b	0.20	0.30	0.25
D	1.95	2.075	2.00
D2	1.45	1.65	1.55
e	-	-	0.65
E	1.95	2.075	2.00
E2	0.76	0.96	0.86
L	0.30	0.40	0.35
All Dimensions in mm			

## Suggested Pad Layout

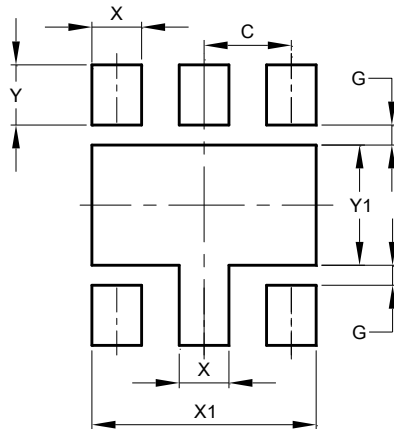
Please see <http://www.diodes.com/package-outlines.html> for the latest version.

### (1) Package Type: SOT25



Dimensions	Value (in mm)
Z	3.20
G	1.60
X	0.55
Y	0.80
C1	2.40
C2	0.95

### (2) Package Type: U-DFN2020-6



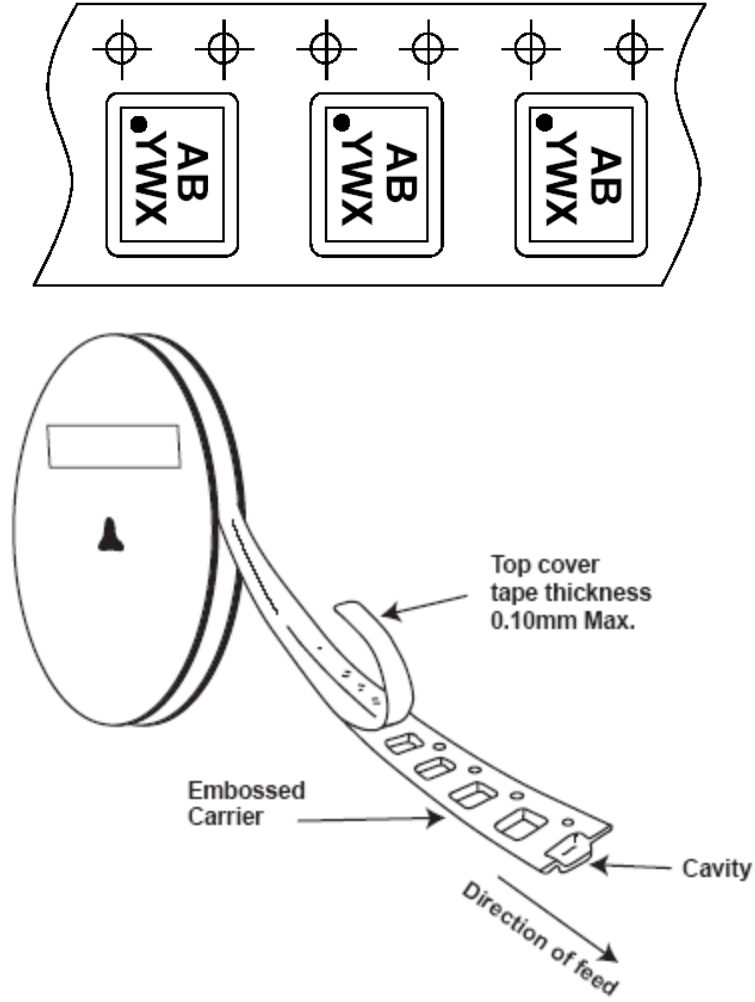
Dimensions	Value (in mm)
C	0.65
G	0.15
X	0.37
X1	1.67
Y	0.45
Y1	0.90

## Mechanical Data

- Moisture Sensitivity: Level 1 Per J-STD-020
- Terminals:
  - SOT25: Finish - Matte Tin Plated Leads, Solderable per MIL-STD-202, Method 208 <sup>Ⓔ</sup><sup>③</sup>
  - U-DFN2020-6: Finish - NiPdAu over Copper Leads, Solderable per MIL-STD-202, Method 208 <sup>Ⓔ</sup><sup>④</sup>
- Weight:
  - SOT25: 0.015 grams (Approximate)
  - U-DFN2020-6: 0.007 grams (Approximate)

**Tape Orientation** (Note 8)

For U-DFN2020-6



Note: 8. The taping orientation of the other package type can be found on our website at <https://www.diodes.com/assets/Packaging-Support-Docs/ap02007.pdf>.



**IMPORTANT NOTICE**

1. DIODES INCORPORATED (Diodes) AND ITS SUBSIDIARIES MAKE NO WARRANTY OF ANY KIND, EXPRESS OR IMPLIED, WITH REGARDS TO ANY INFORMATION CONTAINED IN THIS DOCUMENT, INCLUDING, BUT NOT LIMITED TO, THE IMPLIED WARRANTIES OF MERCHANTABILITY, FITNESS FOR A PARTICULAR PURPOSE OR NON-INFRINGEMENT OF THIRD PARTY INTELLECTUAL PROPERTY RIGHTS (AND THEIR EQUIVALENTS UNDER THE LAWS OF ANY JURISDICTION).
2. The Information contained herein is for informational purpose only and is provided only to illustrate the operation of Diodes' products described herein and application examples. Diodes does not assume any liability arising out of the application or use of this document or any product described herein. This document is intended for skilled and technically trained engineering customers and users who design with Diodes' products. Diodes' products may be used to facilitate safety-related applications; however, in all instances customers and users are responsible for (a) selecting the appropriate Diodes products for their applications, (b) evaluating the suitability of Diodes' products for their intended applications, (c) ensuring their applications, which incorporate Diodes' products, comply the applicable legal and regulatory requirements as well as safety and functional-safety related standards, and (d) ensuring they design with appropriate safeguards (including testing, validation, quality control techniques, redundancy, malfunction prevention, and appropriate treatment for aging degradation) to minimize the risks associated with their applications.
3. Diodes assumes no liability for any application-related information, support, assistance or feedback that may be provided by Diodes from time to time. Any customer or user of this document or products described herein will assume all risks and liabilities associated with such use, and will hold Diodes and all companies whose products are represented herein or on Diodes' websites, harmless against all damages and liabilities.
4. Products described herein may be covered by one or more United States, international or foreign patents and pending patent applications. Product names and markings noted herein may also be covered by one or more United States, international or foreign trademarks and trademark applications. Diodes does not convey any license under any of its intellectual property rights or the rights of any third parties (including third parties whose products and services may be described in this document or on Diodes' website) under this document.
5. Diodes' products are provided subject to Diodes' Standard Terms and Conditions of Sale (<https://www.diodes.com/about/company/terms-and-conditions/terms-and-conditions-of-sales/>) or other applicable terms. This document does not alter or expand the applicable warranties provided by Diodes. Diodes does not warrant or accept any liability whatsoever in respect of any products purchased through unauthorized sales channel.
6. Diodes' products and technology may not be used for or incorporated into any products or systems whose manufacture, use or sale is prohibited under any applicable laws and regulations. Should customers or users use Diodes' products in contravention of any applicable laws or regulations, or for any unintended or unauthorized application, customers and users will (a) be solely responsible for any damages, losses or penalties arising in connection therewith or as a result thereof, and (b) indemnify and hold Diodes and its representatives and agents harmless against any and all claims, damages, expenses, and attorney fees arising out of, directly or indirectly, any claim relating to any noncompliance with the applicable laws and regulations, as well as any unintended or unauthorized application.
7. While efforts have been made to ensure the information contained in this document is accurate, complete and current, it may contain technical inaccuracies, omissions and typographical errors. Diodes does not warrant that information contained in this document is error-free and Diodes is under no obligation to update or otherwise correct this information. Notwithstanding the foregoing, Diodes reserves the right to make modifications, enhancements, improvements, corrections or other changes without further notice to this document and any product described herein. This document is written in English but may be translated into multiple languages for reference. Only the English version of this document is the final and determinative format released by Diodes.
8. Any unauthorized copying, modification, distribution, transmission, display or other use of this document (or any portion hereof) is prohibited. Diodes assumes no responsibility for any losses incurred by the customers or users or any third parties arising from any such unauthorized use.
9. This Notice may be periodically updated with the most recent version available at <https://www.diodes.com/about/company/terms-and-conditions/important-notice>

DIODES is a trademark of Diodes Incorporated in the United States and other countries.  
The Diodes logo is a registered trademark of Diodes Incorporated in the United States and other countries.  
© 2022 Diodes Incorporated. All Rights Reserved.

[www.diodes.com](http://www.diodes.com)