

1

2

3

4

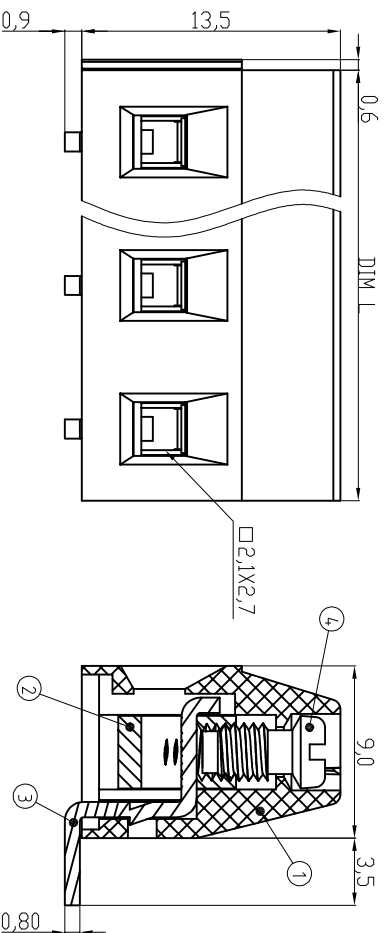
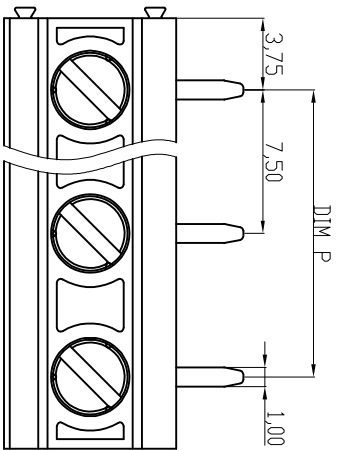
5

6

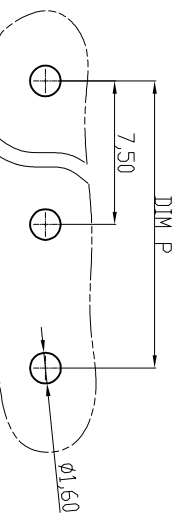
7

## Material

- ① Terminal housing: Thermoplastic (UL94V-0) , GREEN
- ② Clamp: Brass, Ni plated
- ③ Wire guard solder pin: Brass, Tin plated
- ④ Terminal screw: Steel Zinc plating " - " slot type



Electrical cULus/FIMKO  
 Voltage rating:300VAC/300VAC  
 Current rating:16A/17.5A  
 Wire range: 1.5mm<sup>2</sup>  
 Solid wire(AWG):12-28  
 Stranded wire(AWG):12-28  
 Torque(Lb-In):3.5Lb-In/0.5 Nm  
 Screw: M3  
 Wire strip length:6-7mm  
 Withstanding Voltage: 1.6KV/2.5KV  
 Operating temperature: -40°C to +115°C  
 Soldering temperature: 250°C±10°C/5 Sec  
 Safety Approval:



RECOMMENDER PCB LAYOUT

**RoHS compliant**



File No.: E349947

Scale	1:1
TOLERANCE	
X.	±0.50
X.X	±0.30
X.XX	±0.10
DIM	TOL
X.°	±1°
Angle	TOL

①	Add the UL File No.	19.04.2016	Winnie
②	Drawn	19.04.2010	Alex
Id.	Modification	Date	Name

DIMENSION	
L	Nx7.5
P	(N-1)x7.5

N=Number of poles

Poles	Tolerance
2p-6p	±0.15
7p-12p	±0.25
13p-16p	±0.35

Date	Name	
19.04.2010	Alex	
19.04.2016	Winnie	
Approved	19.04.2016	Winnie

**ASSMANN**  
 WSW/ components

Customer-No.	ASSMANN WSW-No.	Drawing-No.
	A-TB750-VIxxV	ASS 4106 CO
Replace	rev01	Sheet

1

2

3

4

5

6

7

H

G

F

E

D

C

B

A

H

G

F

E

D

C

B

A