

1

2

3

4

5

6

7

A

B

C

D

E

F

G

H

A

B

C

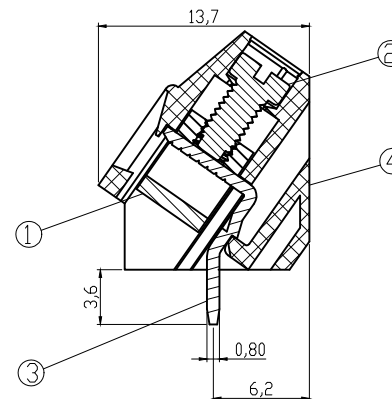
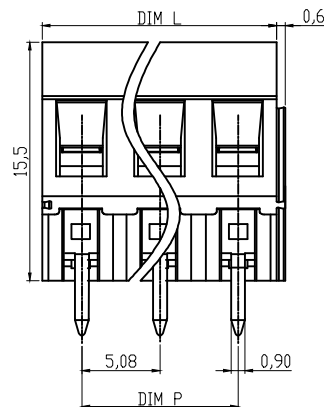
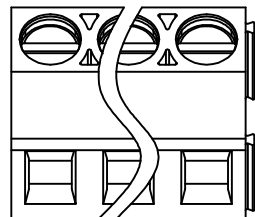
D

E

F

G

H



Material

- ① Clamp: Brass, Ni plated
- ② Terminal screw: Steel Zinc plating "-" slot type
- ③ Wire guard solder pin: Brass, Tin plated
- ④ Terminal housing: Thermoplastic (UL94V-0), GREEN

Electrical UL

Voltage rating: 300VAC  
 Current rating: 10A  
 Wire range:  
 Solid wire(AWG): 12-24  
 Stranded wire(AWG): 12-24  
 Torque(Lb-In): 3.5  
 Screw: M2.5  
 Wire strip length: 6-7mm  
 Withstanding Voltage: 1.6KV  
 Operating temperature: -40°C to +115°C  
 Soldering temperature: 250°C±10°C/5 Sec  
 Safety Approval:

A-TB508-T2xxSBxxx

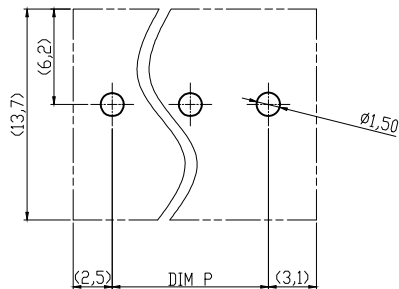
② Blank: Green color  
 -BK: Black color

DIMENSION

L	Nx5.08
P	(N-1)x5.08

N=Number of poles

Poles	Tolerance
	DIM L&DIM P
4p-8p	±0.15
9p-14p	±0.25
15p-20p	±0.35
21p-24p	±0.40



RECOMMENDER PCB LAYOUT

RoHS compliant



Scale	Free				Date	Name	Customer-No.
TOLERANCE					Drawn	Alex	ASSMANN WSW-No. <b>A-TB508-T2xxSBxxx</b>
X.	±0.50				Approved	Segal	
X.X	±0.30	②	Extend the black color	24.03.2022	Segal		Drawing-No. <b>ASS 4102 CO</b>
X.XX	±0.10	①	Add UL File No.	07.04.2016	Winnie		
DIM	TOL	①	Drawn	19.04.2010	Alex		Replace
X.°	±1°	①					
Angle	TOL	Id.	Modification	Date	Name		Sheet 1/1



1

2

3

4

5

6

7