

1

2

3

4

5

6

7

A

B

C

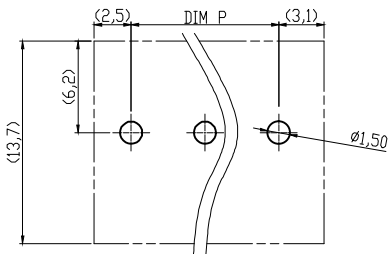
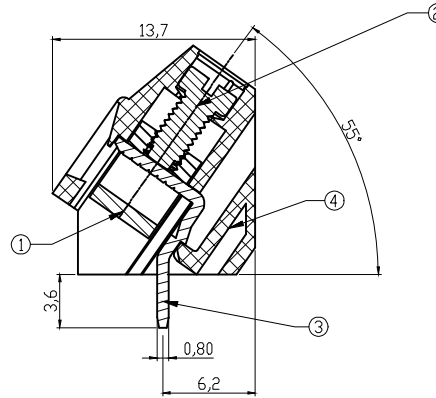
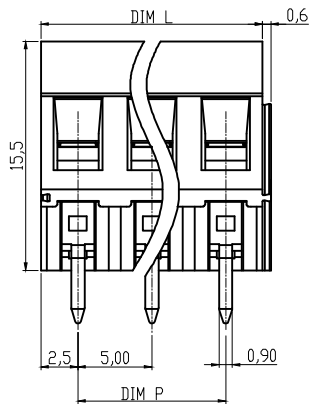
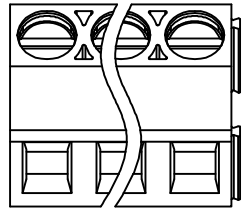
D

E

F

G

H



RECOMMENDER PCB LAYOUT

Material

- ① Clamp: Brass, Ni plated
- ② Terminal screw: Steel Zinc plating "-" slot type
- ③ Wire guard solder pin: Brass, Tin plated
- ④ Terminal housing: Thermoplastic (UL94V-0), GREEN

Electrical UL

Voltage rating: 300VAC  
 Current rating: 10A  
 Wire range:  
 Solid wire(AWG): 12-24  
 Stranded wire(AWG): 12-24  
 Torque(Lb-In): 3.5  
 Screw: M2.5  
 Wire strip length: 6-7mm  
 Withstanding Voltage: 1.6KV  
 Operating temperature: -40°C to +115°C  
 Soldering temperature: 250°C±10°C/5 Sec  
 Safety Approval:



DIMENSION

L	Nx5.0
P	(N-1)x5.0

N=Number of poles

Poles	Tolerance
	DIM L&DIM P
4p-8p	±0.15
9p-14p	±0.25
15p-20p	±0.35
21p-24p	±0.40

RoHS compliant

Unit: mm



File No.: E349947

Scale	1:1					Date	Name	Customer-No.
TOLERANCE						Drawn	19.04.2010	Alex
X.	±0.50					Approved	18.04.2016	Joanna
X.X	±0.30							
X.XX	±0.10							
DIM	TOL	①	Add UL	18.04.2016	Joanna			
X.°	±1°	②	Drawn	19.04.2010	Alex			
Angle	TOL	Id.	Modification	Date	Name	Replace		Sheet

Customer-No.

ASSMANN WSW-No.

A-TB500-T2xxSB

Drawing-No.

ASS 4101 CO

rev01

Replace

Sheet

1

2

3

4

5

6

7