

NOTES:

Mechanical:

1. Housing material : High Temp. UL94V-0, Black
2. Contact material: Phosphor Bronze t=0.35mm
3. Contact plating: Contact area---Gold plating
Tails---200u" Tin plated all over 50u" Nickel
4. Operating Life: 750 Cycles min.
5. PCB Retention Post-solder: 10 LBS min
- ③ 6. Insert material: High Temp. UL94V-0, Black
- ③ 7. Cover Size: 13.2x15.0x1.0mm, High Temp Black.

Electrical:

1. Voltage Rating: 125VAC.
2. Current Rating: 1.5AMP.
3. Contact Resistance: 30mΩ max.
4. Insulation Resistance: 1000MΩ min. @ 500 VDC
5. Dielectric Strength: 1000 VAC 60Hz, 1 min.

Environmental:

1. Storage: -40°C To +85°C
2. Operation: -40°C To +85°C
3. IR Reflow Soldering Temperature: 255°C~265°C(5-10S)

Packing: T&R

② Order code: A-2014-1-X-SMT-N

Contact area plating:

- 1: Au 15u"
- 2: Au 30u" gold
- 3: Au 50u" gold
- 4: Au 6u"
- 5: Au-flash

RoHS compliant

Unit:mm

Scale	Free
TOLERANCE	
X.X	±0.20
X.XX	±0.15
X.XXX	±0.10
DIM	TOL
X.°	±5°
Angle	TOL

Id.	Modification	Date	Name
③	Update	22.09.2023	Segal
②	Add P/N and sheet 2	29.07.2021	Daniel
①	Update	06.04.2016	Amy
①	Drawn	27.05.2013	Amy

Date: 27.05.2013
 Name: Amy
 Description: **Modular Connector**
 Drawn: 27.05.2013
 Approved: 22.09.2023
 Description: ASSMANN WSW-No. A-2014-1-x-SMT-N
ASSMANN
 WSW components
 A company of BCS

Drawing-No.	ASS 5706 CO	rev03
Customer-No.	SHEET 1 / 2	

1

2

3

4

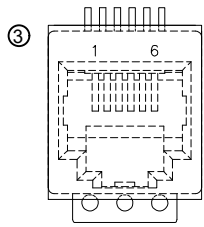
5

6

7

A

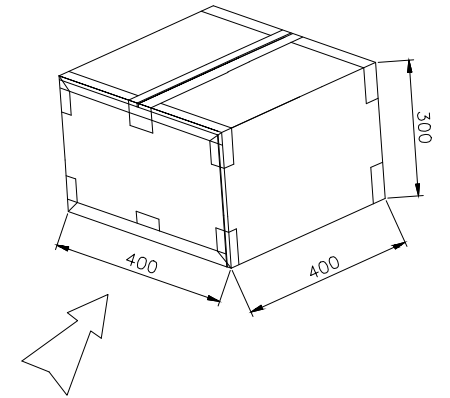
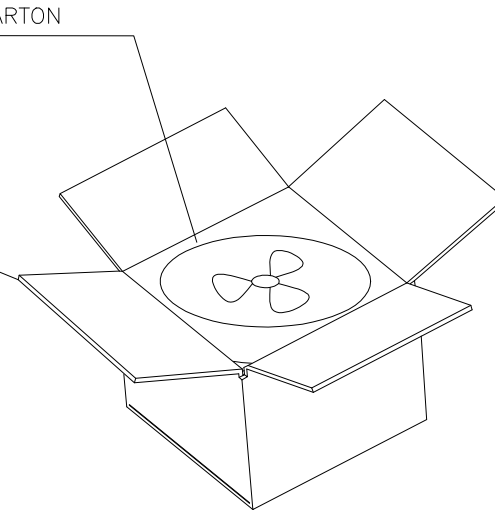
1.PRODUCT 1PCS



A-2014-1-x-SMT-N

1.TOP ENTRY SMT JACK
150 PCS/REEL
900PCS/CARTON

2.CARTON



B

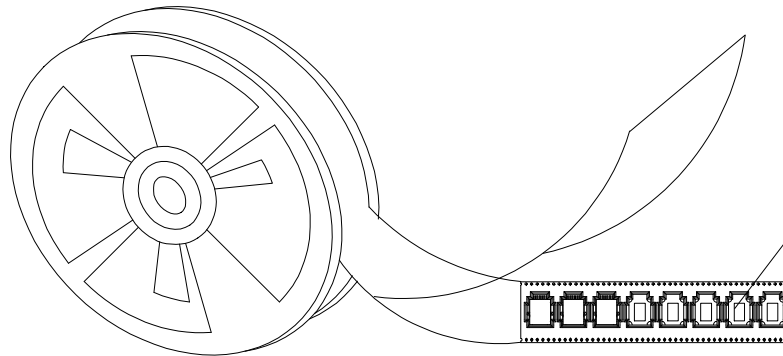
C

D

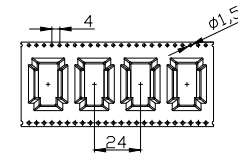
E

F

3.TAPE REEL



Keep 5pcs blank on front and tail



G

RoHS compliant

Unit:mm

Scale Free

TOLERANCE

X.X ±0.20

X.XX ±0.15

X.XXX ±0.10

DIM TOL

X.° ±5°

Angle TOL

③

②

①

④

Id.

Update

Add P/N and sheet 2

Update

Drawn

Modification

22.09.2023

29.07.2021

06.04.2016

27.05.2013

Date

Segal

Daniel

Amy

Amy

Name

Date

27.05.2013

22.09.2023

Name

Amy

Segal

Description: Modular Connector

ASSMANN WSW-No.

A-2014-1-x-SMT-N

Drawing-No.

ASS 5706 CO

rev03

Customer-No.

SHEET 2 / 2

A

B

C

D

E

F

G

H

1

2

3

4

5

6

7

