

LAYOUT SHOWN AS EXAMPLE

Keying Shown as example

**CHARACTERISTICS**

- Standard : Based on MIL-DTL-38999 Series III
- Shell Material : Stainless Steel
- Shell Plating : Nickel
- Insulator : Thermoplastic
- Contacts : Copper Alloy
- Seals & Grommet : Silicon Elastomer
- Contact Plating : Gold over copper Alloy 0.8µm minimum
- Durability : 500 Mating cycles
- Delivered without Souriau contacts
- Temperature Range : -65°C to +200°C
- Salt Spray : 500 hours

| Connector dimension |                 |
|---------------------|-----------------|
| Dim                 | Nominal         |
| A                   | 58.7±0.3        |
| B                   | 42.85+0.1/-0.15 |
| R                   | 32.5Max         |
| S                   | 55.6±0.4        |
| W                   | 3+0.9/-0.1      |
| VV THREAD           | M37x1-6g        |

SOURIAU shall not be liable for any non-conformity or damage due to a use of the Products which does not comply with the Specifications issued by either of the Parties or by a third party (professional recommendation, technical notice.)

|         |                             |
|---------|-----------------------------|
| Country | Jurisdiction & Control List |
| FR      | Not Listed                  |

**PN: 8D725S11PNL**

|              |   |                                |   |
|--------------|---|--------------------------------|---|
| A            | 04-10-2016  | First Release                  |   |
| ISS          | DATE  | Latest modification - by       | MOD N°  |
| Designed By: |   | Date:                          | <b>CUSTOMER DRAWING</b>   |
| <b>TITLE</b> | <b>Stainless Steel Receptacle 8D series</b>                         |                                |   |
| SCALE        |   | General linear Tolerances: ±-- | NPRDS / PROJECT<br><b>859</b>   |
| NA           | <b>SOURIAU</b> <a href="http://WWW.SOURIAU.COM">WWW.SOURIAU.COM</a> |                                | This document is the property of SOURIAU it must not be reproduced or communicated without permission |
| FORMAT       | <b>A3</b>   |                                | <b>SOURIAU DRG N° 8D725S11PNL-C</b>   |
|              |   |                                | SHEET<br>1/2  |

BASIC SERIES: 8D 7 - 25 S 11 P N L

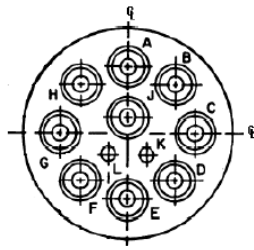
SHELL TYPE : Jam nut Receptacle Delivered W/O Contacts

CONTACT TYPE : Standard Crimp Contact ORIENTATION : N

SHELL SIZE : 25 CONTACT TYPE : PIN(500 Matings)

PLATING : S = Nickel CONTACT LAYOUT : 25-11

Contact Layout



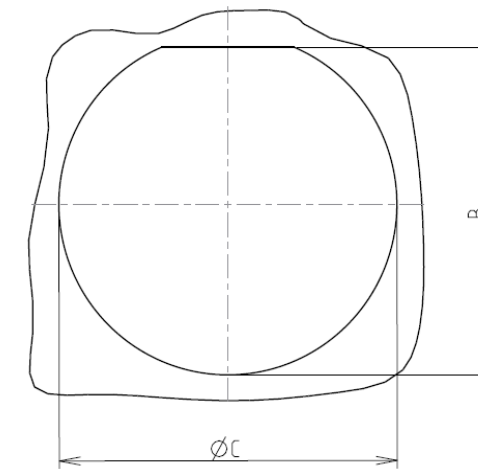
| Contacts<br>(Insert arrangement 25-11) |              |              |                     |              |             |
|--|--------------|--------------|---------------------|--------------|-------------|
| Contact position ID                    | Location     |              | Contact position ID | Location     |             |
|  | X-axis (mm)  | Y-axis (mm)  |                     | X-axis (mm)  | Y-axis (mm) |
| A                                      | -000 (0.00)  | -431 (10.95) | G                   | -431 (10.95) | -000 (0.00) |
| B                                      | +304 (7.72)  | +304 (7.72)  | H                   | -304 (7.72)  | +304 (7.72) |
| C                                      | +431 (10.95) | +000 (0.00)  | J                   | +000 (0.00)  | +102 (2.59) |
| D                                      | +304 (7.72)  | -304 (7.72)  | K                   | +092 (2.34)  | -160 (4.06) |
| E                                      | +000 (0.00)  | -431 (10.95) | L                   | -092 (2.34)  | -160 (4.06) |
| F                                      | -304 (7.72)  | -304 (7.72)  | ---                 | ---          | ---         |

NOTES:  
1. All dimensions are true position.  
2. Front face of pin insert shown.

| Shell size | Arrangement no. | Number of contacts | Size contacts | Service rating | Contact location      |
|------------|-----------------|--------------------|---------------|----------------|-----------------------|
| 25         | -11             | 9                  | 10            | N              | A,B,C,D,E,F,<br>G,H,J |
|            |                 | 2                  | 20            |                | L,K                   |

Panel cutout

JAM NUT RECEPTACLE (TYPE 7)



| Dim | Nominal       |
|-----|---------------|
| B   | 43.43+0/-0.25 |
| ØC  | 44.7+0.25/-0  |

SOURIAU shall not be liable for any non-conformity or damage due to a use of the Products which does not comply with the Specifications issued by either of the Parties or by a third party (professional recommendation, technical notice.)

| Country | Jurisdiction & Control List |
|---------|-----------------------------|
| FR      | Not Listed                  |

PN: 8D725S11PNL

|                |   |                            |   |
|----------------|---|----------------------------|---|
| A              | 04-10-2016                                  | First Release              |   |
| ISS            | DATE  | Latest modification - by   | MOD N°  |
| Designed By:   |   | Date:                      | <b>CUSTOMER DRAWING</b>   |
| <b>TITLE</b>   | <b>Stainless Steel Receptacle 8D series</b> |                            |   |
| SCALE          |   | General linear Tolerances: | NPRDS / PROJECT   |
| NA             |   | ±--                        | <b>859</b>  |
| <b>SOURIAU</b> | <b>WWW.SOURIAU.COM</b>                      |                            | This document is the property of SOURIAU it must not be reproduced or communicated without permission |
| FORMAT         | <b>SOURIAU DRG N° 8D725S11PNL-C</b>         |                            | SHEET<br>2/2  |