

4

3

2

1

THIS DRAWING IS UNPUBLISHED.

RELEASED FOR PUBLICATION

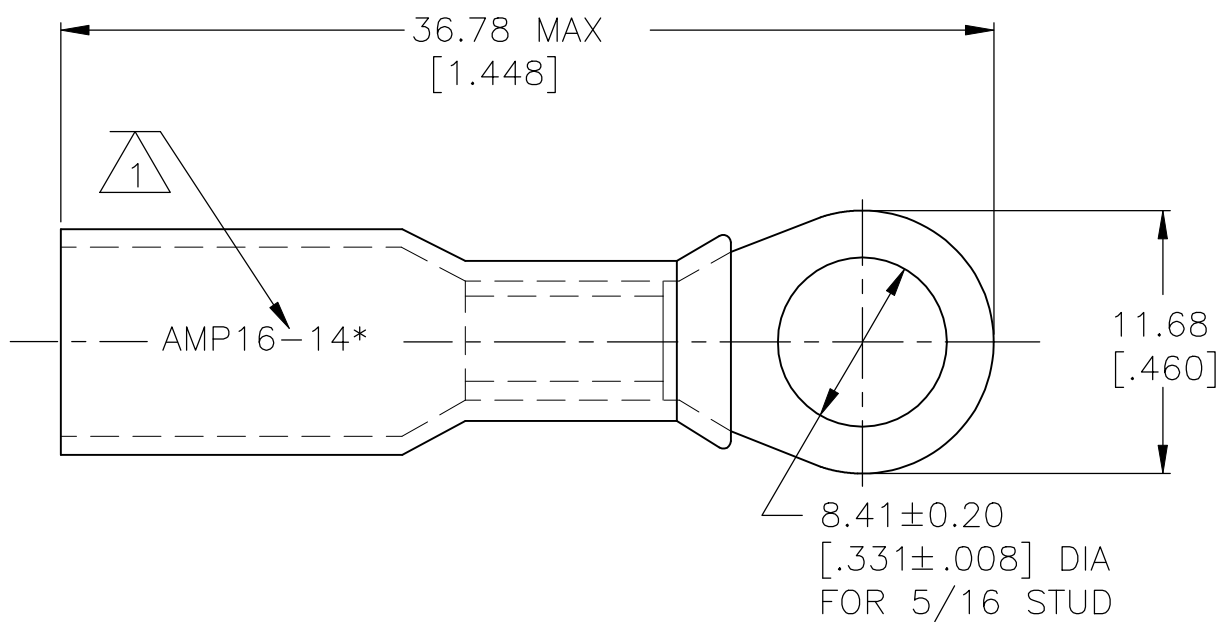
--

© COPYRIGHT - TE Connectivity Ltd.

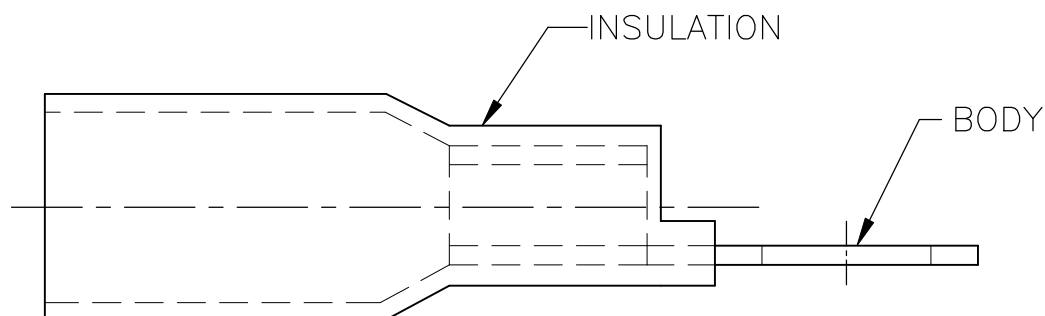
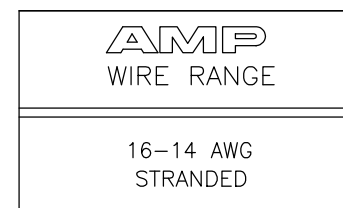
ALL RIGHTS RESERVED.

REVISIONS

P	LTR	DESCRIPTION	DATE	DWN	APVD
	D	REVISE PER ECR-09-027352	17FEB10	JR	TM
	D1	REVISED PER ECO-17-016703	26MAR2018	RS	DR



- 1 STAMP AMP 16-14* APPROX AS SHOWN
- 2 WIRE INSULATION DIA 4.83 [.190] MAX
- 3 BODY MATERIAL THK 0.81±0.05 [.032±.002]



50	LOOSE PIECE	8-55854-2
QTY	PACKAGE TYPE	PART NO

AMP INCORPORATED
CUSTOMER SERVICE SYSTEMS

MAX RECOMMENDED OPERATING TEMPERATURE:
125° C [257°F] MAX

THIS DRAWING IS A CONTROLLED DOCUMENT.

DWN	S S GOULDEN	6/93
CHK	R HERSEY	6/93
APVD	B BARE	6/93



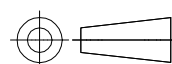
FOR ADDITIONAL PRODUCT INFORMATION OR COPIES OF DRAWINGS AND TECHNICAL DOCUMENTS

PRODUCT INFORMATION CENTER
1-800-522-6752

VOLTAGE RATING:
600V MAX (BUILDING WIRING)
1000V MAX (FIXTURES & SIGNS)

DIMENSIONS:
mm [INCHES]

TOLERANCES UNLESS OTHERWISE SPECIFIED:



0 PLC	± -
1 PLC	± -
2 PLC	± 0.20 [.008]
3 PLC	± -
4 PLC	± -
ANGLES	± -

PRODUCT SPEC

NAME
TERMINAL, RING TONGUE, SEALABLE
HEAT SHRINKABLE
16-14 AWG

FOR APPLICATION TOOLING INFORMATION

TOOLING ASSISTANCE CENTER
1-800-722-1111

CIRCULAR MIL AREA:
1.04-2.62² [2050-5180]
STRANDED

MATERIAL
BODY: ETP COPPER
INSULATION: POLYOLEFIN

FINISH
BODY: EDP TIN PLATED
INSULATION: COLOR-BLUE

APPLICATION SPEC
408-4022

WEIGHT

SIZE	CAGE CODE	DRAWING NO	RESTRICTED TO
A3	00779	C-55854	-

FOR ORDER ENTRY
1-800-526-5142

THIS DRAWING IS A CONTROLLED DOCUMENT FOR AMP INCORPORATED. IT IS SUBJECT TO CHANGE AND THE CONTROLLING ENGINEERING ORGANIZATION SHOULD BE CONTACTED FOR THE LATEST REVISION.

CUSTOMER DRAWING

SCALE NTS SHEET 1 OF 1 REV D1