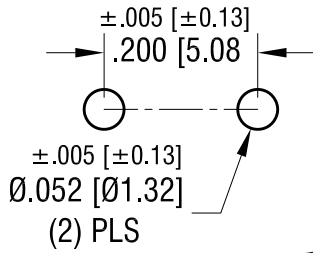
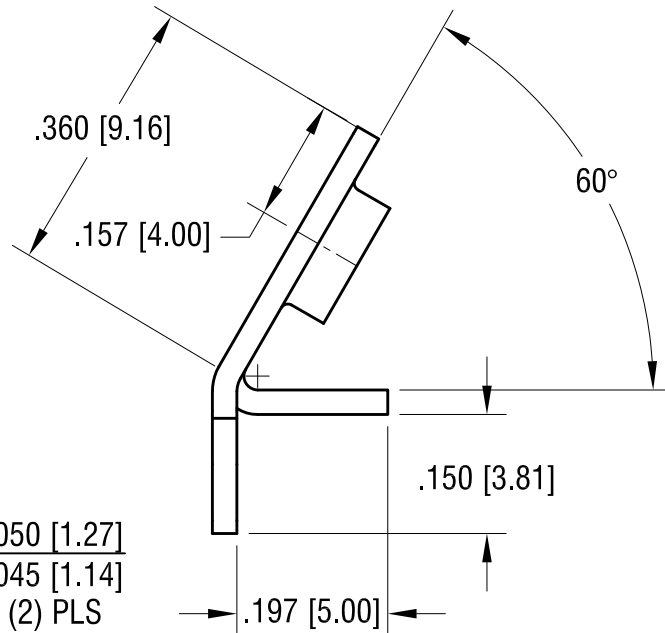
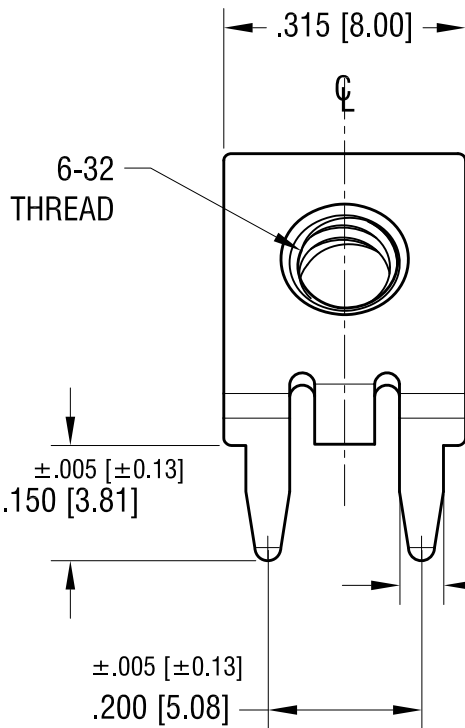


THIS DOCUMENT IS THE PROPERTY OF
KEYSTONE ELECTRONICS CORP. AND
SHALL NOT BE REPRODUCED, DISTRIBUTED
OR USED AS A BASIS FOR MANUFACTURE
WITHOUT PRIOR WRITTEN PERMISSION
FROM KEYSTONE ELECTRONICS CORP.

MOUNTING DETAIL



ACTUAL SIZE



| | | |
|---------|--------------------------|------|
| 3.11.19 | CHANGE AS PER ECN 19-031 | A |
| DATE | DESCRIPTION | REV. |

| | | | |
|----------------------------------------------------------------|-----------------|------------------------|-------------|
| KEYSTONE ELECTRONICS CORP. | | | |
| www.keyelco.com • NEW HYDE PARK, NY 11040 • Tel (516) 328-7500 | | | |
| PART NAME | | SCREW TERMINAL | |
| MATERIAL | | .032 [0.81] TH'K BRASS | |
| FINISH | | DRN BY | DATE |
| TIN PLATE | | NT | 2.28.19 |
| | | APP'D | SCALE |
| | | LN | 4X |
| TOLERANCES | INCH [MM] | CODE | DWG NO. |
| DECIMAL | ± .010 [± 0.25] | C | 7838 |
| ANGULAR | ± 1° | | |
| UNLESS OTHERWISE SPECIFIED | | | |