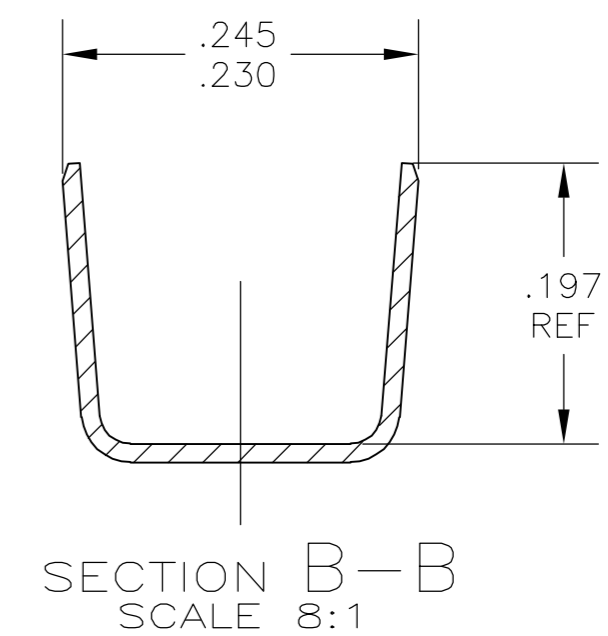
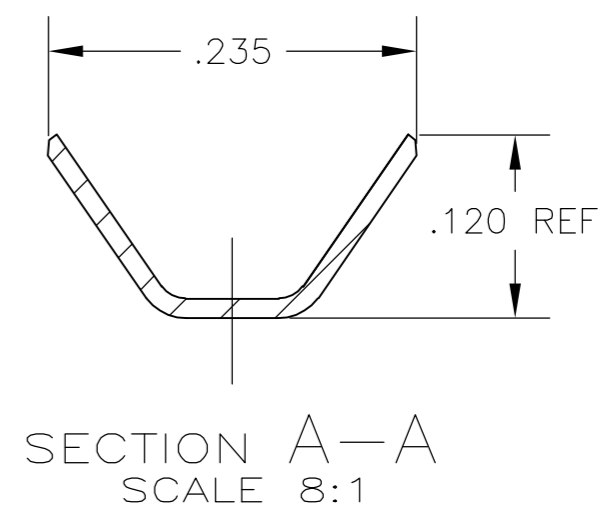
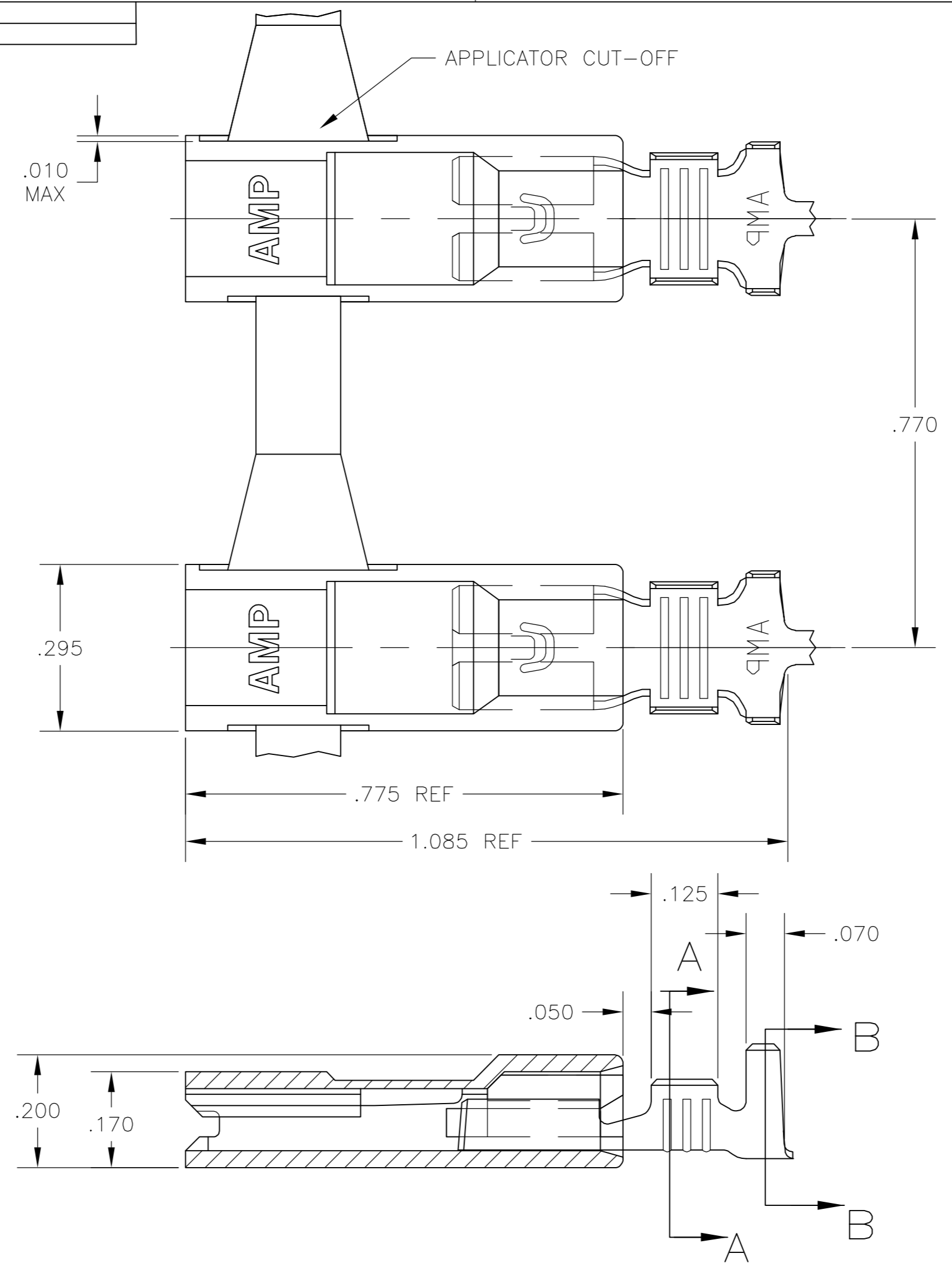


THIS DRAWING IS UNPUBLISHED. RELEASED FOR PUBLICATION
 © COPYRIGHT BY TYCO ELECTRONICS CORPORATION. ALL RIGHTS RESERVED.

LOC	DIST	REVISIONS			
P	LTR	DESCRIPTION	DATE	DWN	APVD
AF	50	A1	REVISED PER ECR-06-027960	05DEC06	HMR GP



- 1 FASTON TERMINALS, BASE
P/N 1742110, ARE USED IN THIS PRODUCT.
- 3 MATING TAB THK TO BE $.020 \pm .001$
- 4 WIRE SIZE IS #18-#16 OR TWO #18'S AWG.
- 5 INSULATION RANGE IS .105-.130 OR TWO AT .105 MAX
- 6 TERMINAL - .0126 THK H04 BRASS
HOUSING - 6/6 NYLON
- 7 TERMINAL - SEE TABLE
HOUSING - NATURAL

THIS DRAWING IS A CONTROLLED DOCUMENT.		DWN	JR RUTH	10JUL06	Tyco Electronics Corporation Harrisburg, PA 17105-3608				
DIMENSIONS: INCHES		CHK	G PORTA	10JUL06					
TOLERANCES UNLESS OTHERWISE SPECIFIED:		APVD	G PORTA	10JUL06					
0 PLC ± - 1 PLC ± - 2 PLC ± - 3 PLC ± .010 4 PLC ± - ANGLES ± - FINISH		PRODUCT SPEC 108-1285 APPLICATION SPEC 114-2124 WEIGHT -		NAME ASSEMBLY, RECEPTACLE, ULTRA-POD, .187 SERIES					
MATERIAL	6	SIZE	A2	CAGE CODE	00779	DRAWING NO	C=521947	RESTRICTED TO	-
CUSTOMER DRAWING		SCALE	5:1		SHEET	1 of 1		REV	A1

521947