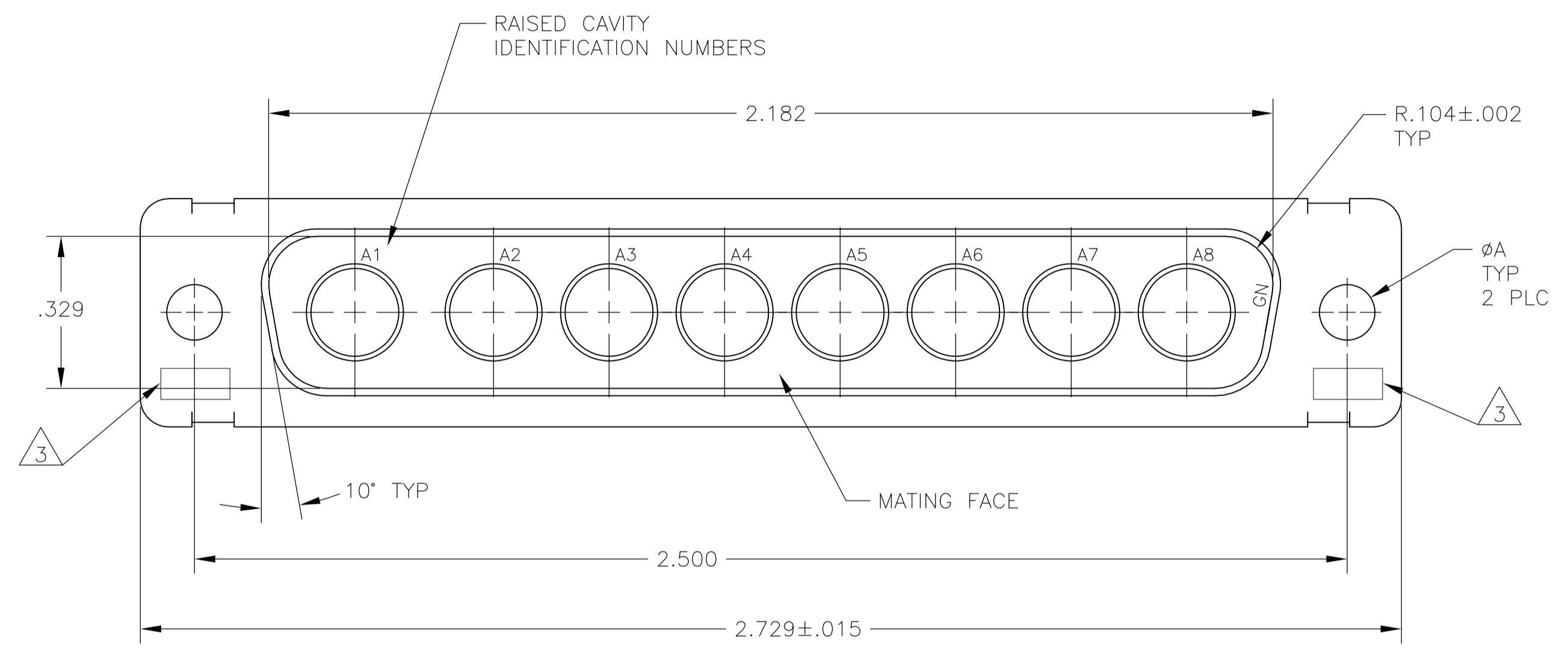
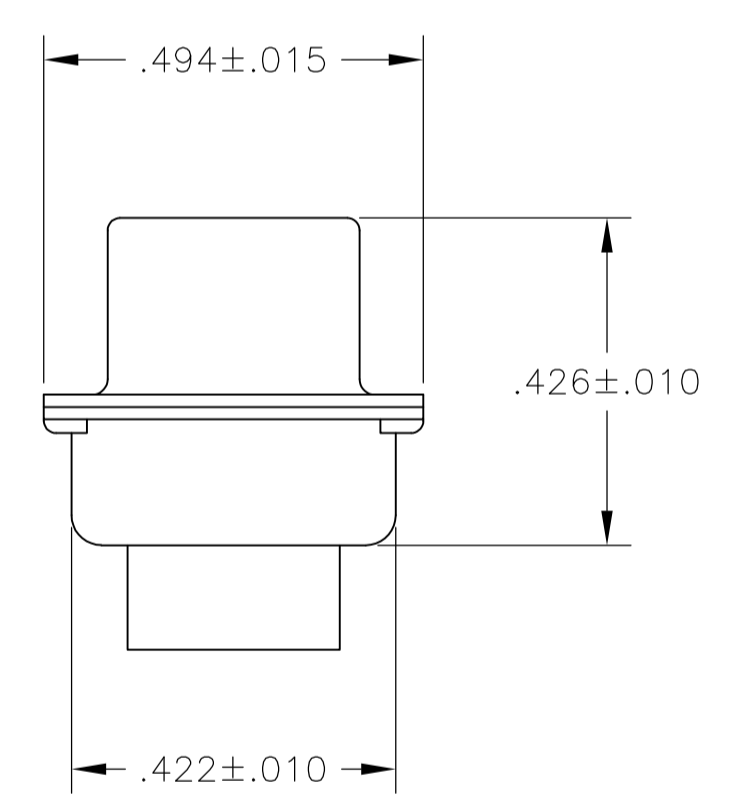
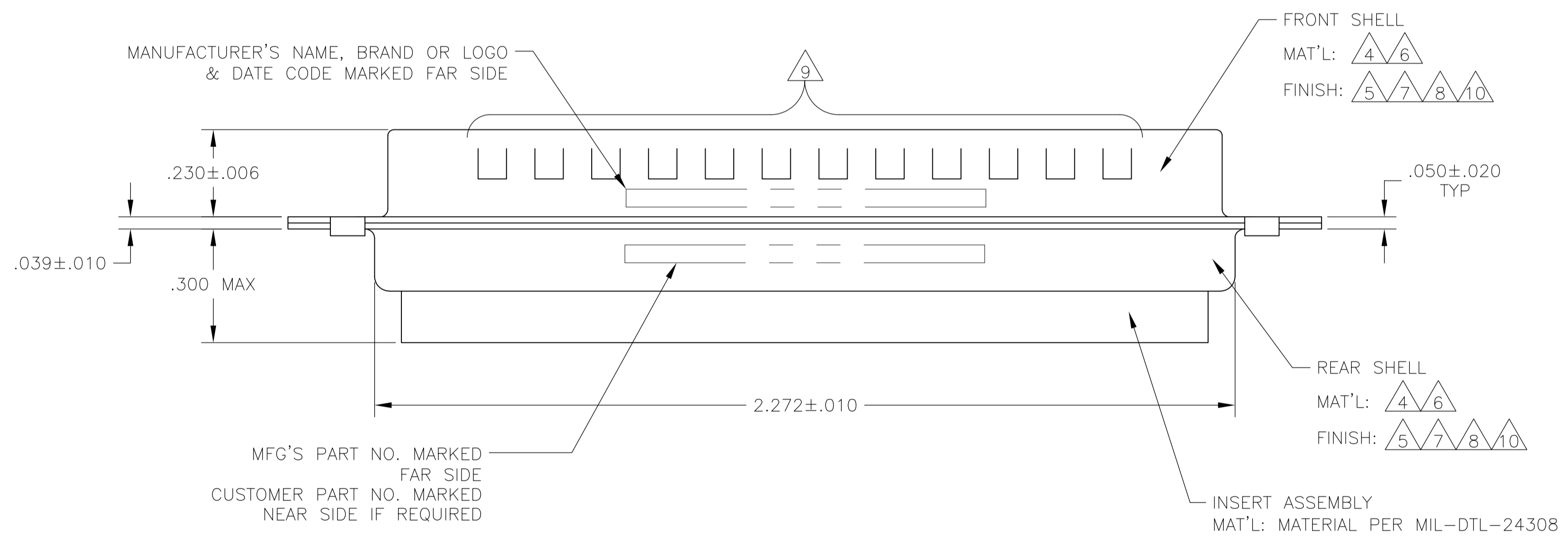


LOC		DIST		REVISIONS			
P	LTR	DESCRIPTION	DATE	DWN	APVD		
S		REVISED PER ECO-15-016251	13NOV15	KG	CD		



- THIS PLUG WILL MATE WITH ANY 8C8, SIZE 4 RECEPTACLE IN AMPLIMITE SERIES.
- USE (8) SIZE 8 POWER, OR COAX PIN CONTACTS. CONSULT PRODUCT ENGINEERING FOR MORE DETAILS.
- UL/CSA DESIGNATION STAMPED IN THIS AREA, OPTIONAL.
- STEEL PER ASTM-A-109.
- CADMIUM PLATED PER QQ-P-416, TYPE II, CLASS 2.
- BRASS PER ASTM-B-36 AND MIL-C-50.
- FINISH: PLATED GOLD PER ASTM-B-488, TYPE 3, CODE C, CLASS 1.25 OVER COPPER PLATE PER MIL-C-14550, CLASS IV.
- FINISH: TIN PER ASTM-B-545 .000400 MIN THK OVER COPPER PER AMS2418 .000050 MIN THK.
- GROUNDING INDENTS FOR 446405-4 & 5-446405-4 ONLY.
- FINISH: ZINC PLATE PER ASTM-B-633 .000200-.000400 THK WITH SUPPLEMENTARY CHROMATE (Cr3+).



REMARKS	CUSTOMER PART NO.	ØA	DESCRIPTION	PART NO.
4 9 8	-	.120	MIL-C-24308 EQUIVALENT	5-446405-4
4 10	-	.120	-	5-446405-1
6 7	ST81D284-001	.120	-	446405-6
6 7	B010942-0041	.120	-	446405-5
4 8 9	97942-645A935H02	.120	-	446405-4
6 7	311P405-15P-B-15	.154	NON-MAGNETIC NASA QUALIFIED	446405-3
6 7	311P405-15P-B-12	.120	NON-MAGNETIC NASA QUALIFIED	446405-2
4 5	-	.120	MIL-C-24308 EQUIVALENT	446405-1

THIS DRAWING IS A CONTROLLED DOCUMENT. **STE** TE Connectivity

DIMENSIONS: INCHES	TOLERANCES UNLESS OTHERWISE SPECIFIED:	0 PLC ± -	1 PLC ± -	2 PLC ± -	3 PLC ± .005(0.13)	4 PLC ± -	ANGLES ± 0°30'
MATERIAL	FINISH	WEIGHT	SCALE	SHEET	REV	CUSTOMER DRAWING	

APPROVED: CHARLES THOMAS
 MANUNATH G. M.
 CHARLES THOMAS
 PLUG ASSEMBLY
 AMPLIMITE 8C8
 COAX MIX, SIZE 4
 SIZE: A1
 CAGE CODE: 00779
 DRAWING NO: 446405
 SCALE: 4:1
 SHEET: 1 OF 1
 REV: S