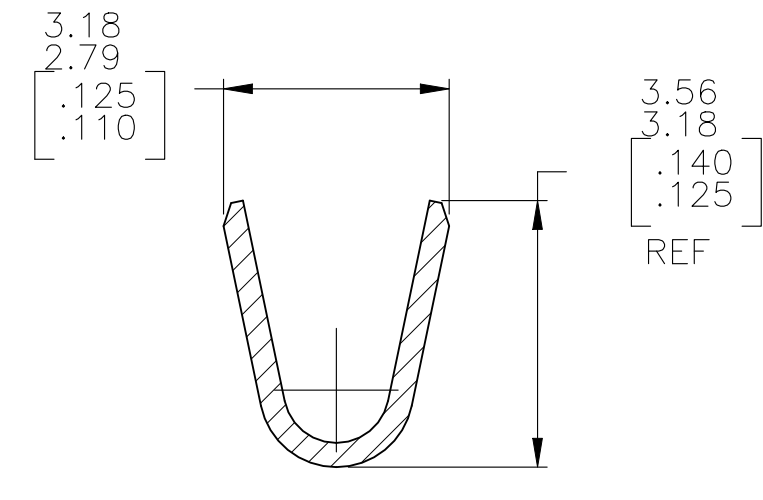
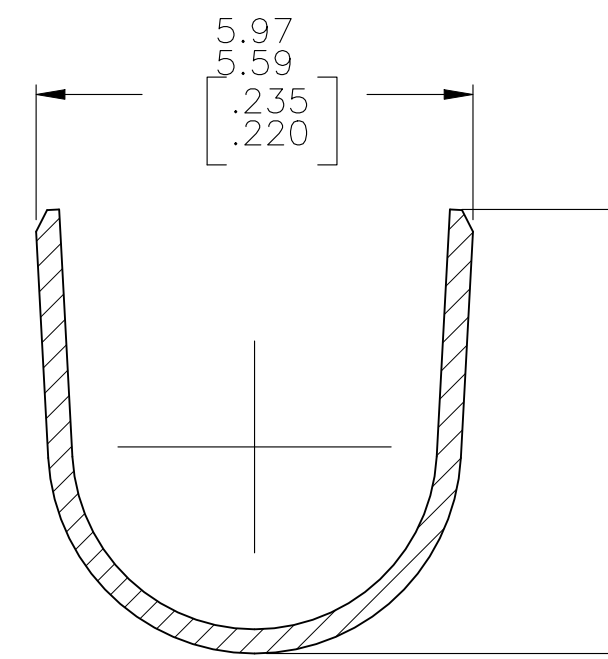
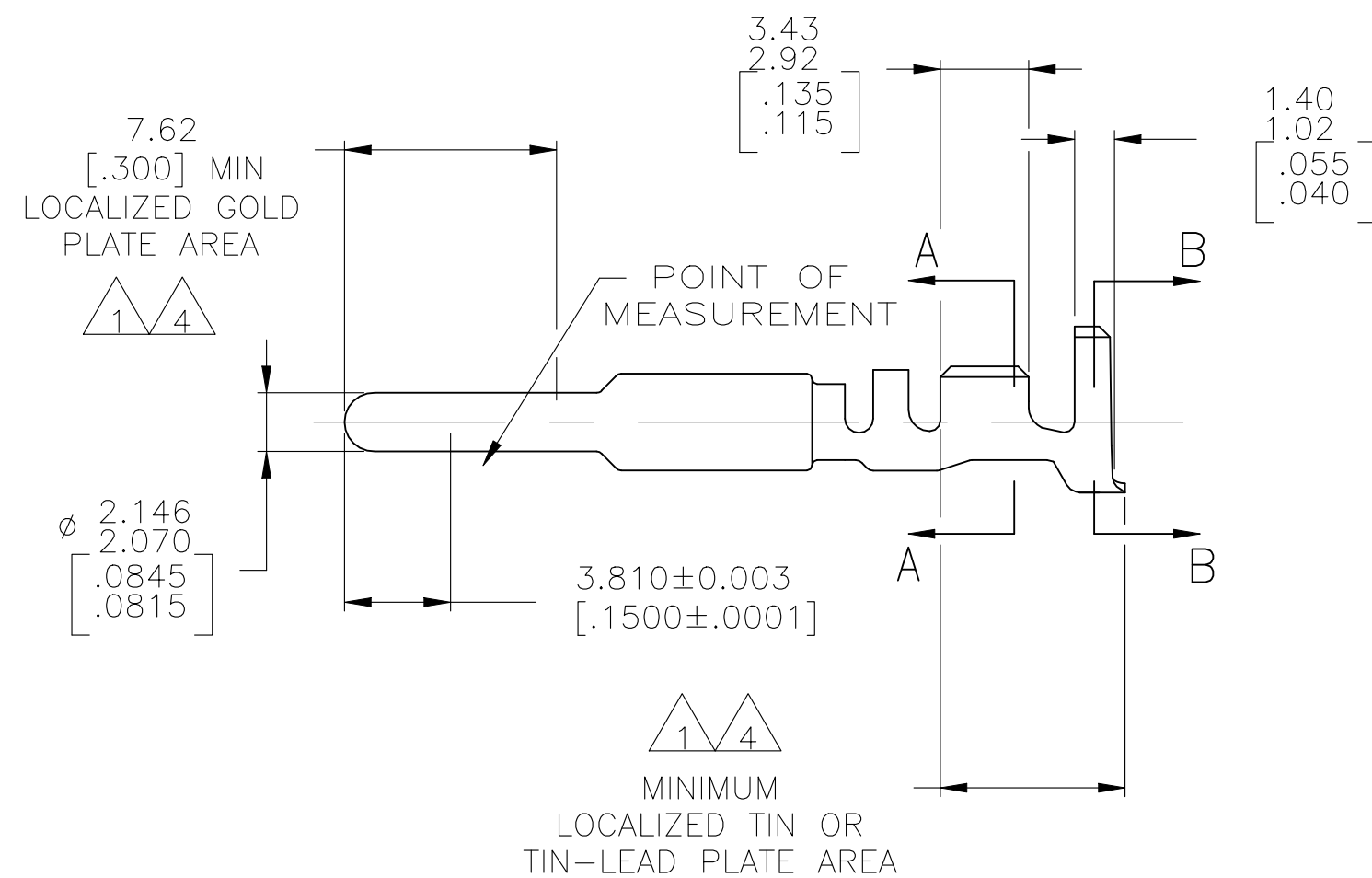
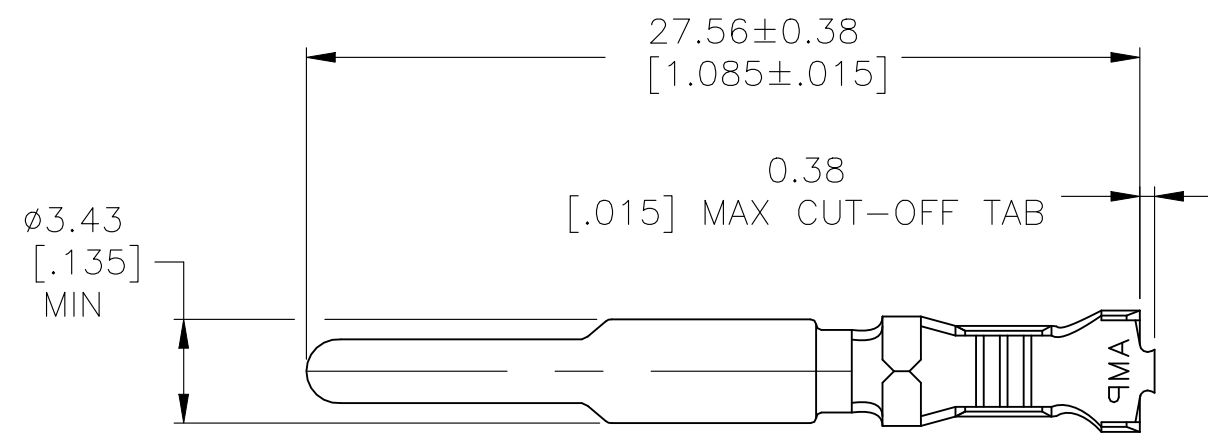


REVISIONS					
P	LTR	DESCRIPTION	DATE	DWN	APVD
G1		REVISED PER ECR-23-184869	23AUG2023	RS	BR



1 0.00076[.000030] MIN GOLD AT POINT OF MEASUREMENT IN THE LOCALIZED GOLD PLATE AREA, 0.00127[.000050] MIN TIN-LEAD IN THE TIN-LEAD PLATE AREA, 0.00127[.000050] MIN NICKEL UNDERPLATE ON ENTIRE CONTACT.

2 WIRE RANGE: 0.5-2mm<sup>2</sup> [20-14] AWG. INSULATION RANGE: 3.30-5.08[.130-.200] DIA.

3 DIMENSIONS IN BRACKETS ARE IN INCHES.

4 0.00076[.000030] MIN GOLD AT POINT OF MEASUREMENT IN THE LOCALIZED GOLD PLATE AREA, 0.00127[.000050] MIN TIN IN TIN PLATE AREA, 0.00127[.000050] MIN NICKEL UNDERPLATE ON ENTIRE CONTACT.

5 SUPERSEDED BY 1-770255-0

G1	OBSELETE	GOLD	4	0.30 [.012]	BRASS	-1-770255-0-
		GOLD	1	0.30 [.012]	BRASS	-770255-2-
		PRE-TIN		0.30 [.012]	BRASS	770255-1
		FINISH		MATERIAL		PART NO

THIS DRAWING IS A CONTROLLED DOCUMENT.		DWN	K. SALMON	23DEC92	<b>TE</b> TE Connectivity
DIMENSIONS: mm [INCHES]		CHK	R. SWING	23DEC92	
TOLERANCES UNLESS OTHERWISE SPECIFIED:		APVD	M. TRULL	01APR93	NAME PIN, GROUNDING, LOOSE PIECE, UNIVERSAL MATE-N-LOK(TM) II
0 PLC ± -		PRODUCT SPEC			
1 PLC ± -		APPLICATION SPEC			SIZE
2 PLC ± -					CAGE CODE
3 PLC ± -					DRAWING NO
4 PLC ± -					RESTRICTED TO
ANGLES ± -		WEIGHT	0.000000	A2	00779
MATERIAL	SEE TABLE	FINISH	SEE TABLE	C=770255	
		CUSTOMER DRAWING		SCALE	4:1
				SHEET	1 OF 1
				REV	G1