



0.5 W Conductive Plastic
Potentiometers
392 Series, RV6 Series



392 Series, RV6 Series 0.5 W Conductive Plastic Potentiometers

Potentiometers convert rotary motion into a change of resistance, supplying a smooth transition of voltage or current levels. The resulting voltage output may be used to control position transducers in a wide variety of potential applications.

The 392 Series and RV6 Series 0.5 W Plastic Potentiometers are economical devices designed to meet wave soldering process requirements for mounting to printed circuit boards (PCBs). All versions contain an internal shaft seal for moisture protection and comply with PCB washability test requirements and MIL-R-94 standards where appropriate. Termination types are PC pin or solder hook, both are solder-dipped.

These small, single turn devices have a 3,18 mm [0.125 in] diameter shaft that is available in a range of lengths. Most configurations have either a standard or split locking 1/4-32 NEF-2A bushing in panel seal or no panel seal versions. The shaft/bushing materials are nickel-plated brass or thermoplastic. They are available in metal/metal, plastic/plastic, or a combination of the two. Custom designs are available upon request.

The 392 Series and RV6 Series are available in resistances from 100 Ohm to 5 MOhm, inclusive. Tapers include linear, log, and antilog to meet a wide range of application requirements.

RV6 Series devices meet requirements of MIL-R-94.

Key Features and Benefits

- **Wave solderable:** Allows the devices to be automatically soldered on a PCB using the wave soldering process instead of being manually soldered, saving time and yielding consistent results
- **PCB washable:** Permits the PCB board containing the soldered devices to be washed after soldering, saving time and yielding consistent results
- **Cost-effective:** Supplies good performance at a reasonable price
- **Wide range of resistance values (100 Ohm to 5 MOhm, inclusive):** Promotes flexibility in the applications
- **Small package size:** Allows use where space constraints may be present

Potential Applications

INDUSTRIAL/COMMERCIAL

- Audio and visual equipment (i.e., guitars, sound mixers, projectors)
- Light switches
- Hand-held equipment (e.g., multimeters and mobile monitoring devices)
- Test and measurement equipment (e.g. oscilloscopes)
- Communications equipment (e.g. walkie-talkies)
- Thermostats

MEDICAL

- Hand-held equipment (e.g., mobile monitoring devices)
- Laboratory and diagnostic equipment

TRANSPORTATION

- Vehicle manual controls (e.g. joysticks)

Table of Contents

| | |
|---------------------------------------|-----------|
| General Specifications | 3-6 |
| General Configuration Guide | 7 |
| 392 Series: | |
| Specific Configurations | 8-10 |
| Order Guides | 11-21 |
| RV6 Series: | |
| Specific Configurations | 22 |
| Order Guides | 23-27 |
| Mounting Hardware | back page |
| Additional Information. | back page |

WAVE SOLDERABLE • WASHABLE • COST-EFFECTIVE

General Specifications

Table 1. Electrical Specifications

| Characteristic | Parameter | |
|---|--|--|
| | 392 Series | RV6 Series |
| Maximum working voltage | 350 Vdc max. | |
| Dielectric strength | 750 Vac for 60 s at 1 mPa [atm], 350 Vac for 60 s at 11,5 kPa [3.4 inHg] | |
| Power rating: solder hook | 0.5 W at 70 °C [158 °F], derated to 120 °C [248 °F] 0.25 W | |
| Taper | linear (S), linear (special), log (Z), reverse log (RZ) | linear (S), log (Z) |
| CRV ¹ : linear tapers log, reverse log tapers | 1.5% max. of total resistance | |
| Resistance: linear tapers log, reverse log tapers | 100 Ohm to 5 MOhm 500 Ohm to 2 MOhm | 100 Ohm to 1 MOhm 500 Ohm to 1 MOhm |
| Resistance tolerance: linear tapers: 100 Ohm to 1 MOhm >1 MOhm log, reverse log tapers: 500 Ohm to 250 kOhm >250 kOhm | ±10% ±20% ±10% ±20% | |
| End resistance | 4 Ohm max. at each end of rotation | |
| Linearity | ±5% independent | |
| Electrical rotation: nominal effective | 265° (+0°/-10°) 295° (±5°) | |

¹Contact resistance variation is the maximum momentary change in contact resistance that occurs when the wiper is moved from one location to another location. The larger this change, the more difficult it is to set the trimmer potentiometer and the more unstable the long term setting will be.

General Specifications

Table 2. Mechanical Specifications

| Characteristic | Parameter | |
|-----------------------------------|------------|---|
| | 392 Series | RV6 Series |
| Shaft: | | |
| diameter | | 3,18 mm [0.125 in] |
| material: | | |
| metal | | nickel-plated brass |
| plastic | | thermoplastic |
| Bushing: | | |
| diameter/thread size | | 1/4-32 NEF-2A |
| material: | | |
| metal | | nickel-plated brass |
| plastic | | thermoplastic |
| Termination base material | | thermoset plastic |
| Termination types: | | |
| solder hook material | | brass, solder (tin-lead) dip finish |
| PC pin: | | |
| PCB fit | | 2,54 mm [0.100 in] grid spacing, 0,86 mm [0.034 in] holes |
| material | | brass, solder (SAC305) dip finish |
| Cover material | | stainless steel |
| Housing material | | thermoplastic |
| Base material | | thermoset |
| Mounting hardware material: | | |
| jam nut | | nickel-plated brass |
| mounting nut | | nickel-plated brass |
| lock washer | | nickel-plated phospher bronze |
| panel O-ring | | Buna-N |
| Sealant | | epoxy |
| Operating torque | | 3,5 mN m to 14 mN m [0.5 in-oz to 2.0 in-oz] |
| Stop torque | | 34 N m [3 in-lb] |
| Weight (approx.): | | |
| metal shaft and metal bushing | | 7,09 g [0.25 oz] |
| plastic shaft and plastic bushing | | 2,84 g [0.1 oz] |

Table 3. Environmental Specifications

| Characteristic | Parameter | |
|-----------------------|------------|-------------------------------------|
| | 392 Series | RV6 Series |
| Operating temperature | | -55 °C to 120 °C [-67 °F to 248 °F] |
| Base material | | -40 °C to 120 °C [-40 °F to 248 °F] |
| Rotational life | | tested to 50,000 cycles |
| Soldering | — | MIL-R-94 |

Table 4. Maximum Percent Temporary Resistance from 25 °C [77 °F]

| Nominal Resistance | Temperature | | | | | | |
|--------------------|-----------------|-----------------|--------------|---------------|----------------|----------------|-----------------|
| | -55 °C [-67 °F] | -40 °C [-40 °F] | 0 °C [32 °F] | 25 °C [77 °F] | 55 °C [131 °F] | 85 °C [185 °F] | 120 °C [248 °F] |
| 100 Ohm | ±5.0 | ±4.0 | ±1.5 | 0 | ±1.5 | ±2.0 | ±3.5 |
| 10 kOhm | +7.0 | +5.5 | +2.0 | 0 | ±1.5 | ±2.5 | ±5.5 |
| 100 kOhm | +8.0 | +6.0 | +2.5 | 0 | ±2.0 | ±3.5 | ±6.0 |
| 1 MOhm | +10.0 | +8.0 | +3.0 | 0 | ±2.5 | ±4.0 | ±7.5 |

General Specifications

Figure 1. Power Derating Curve

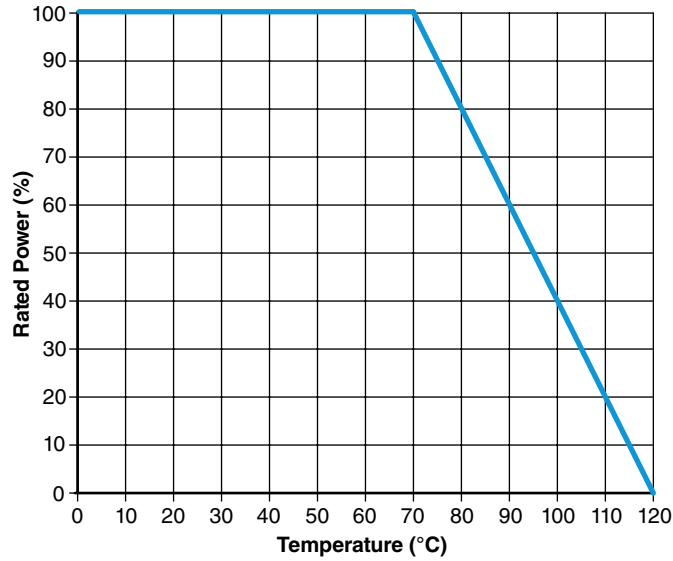
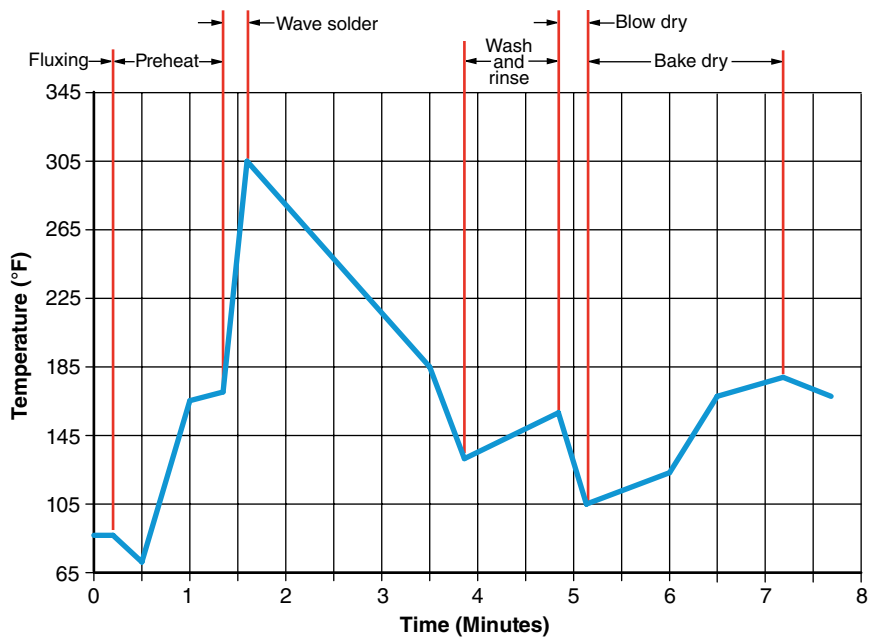


Figure 2. Recommended Wave Solder and Board Wash Parameters

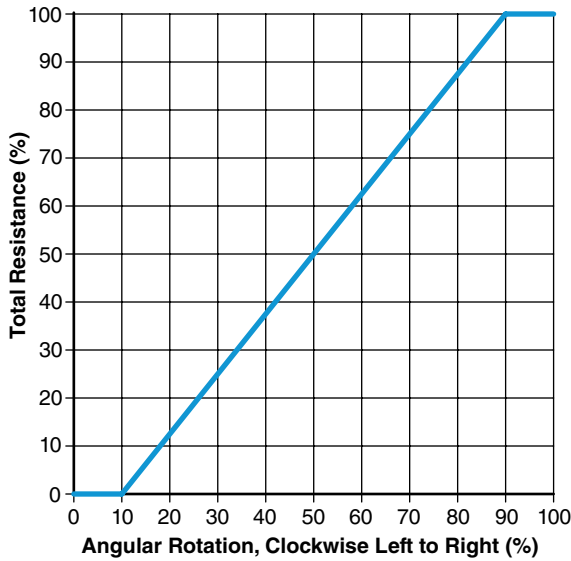


| Process Limits | Temperature | Time |
|--|------------------------------------|----------|
| Preheat, max. | 91 °C [195 °F] | 1 min. |
| Solder, max. | 288 °C [550 °F] | — |
| Differential after solder in wash (3/4T), max. | 22 °C [72 °F] | — |
| Wash | 66 °C to 71 °C [150 °F to 160 °F] | 1.5 min. |
| Dry | 47 °C to 104 °C [116 °F to 220 °F] | 2 min. |

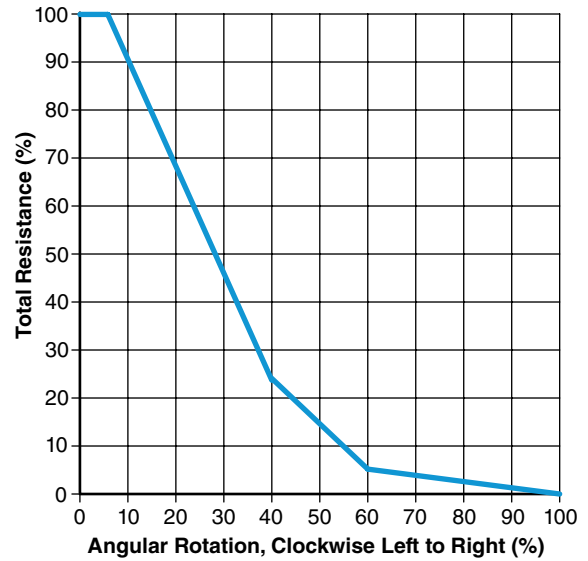
General Specifications

Figure 3. Electrical Taper Diagrams (For reference only.)

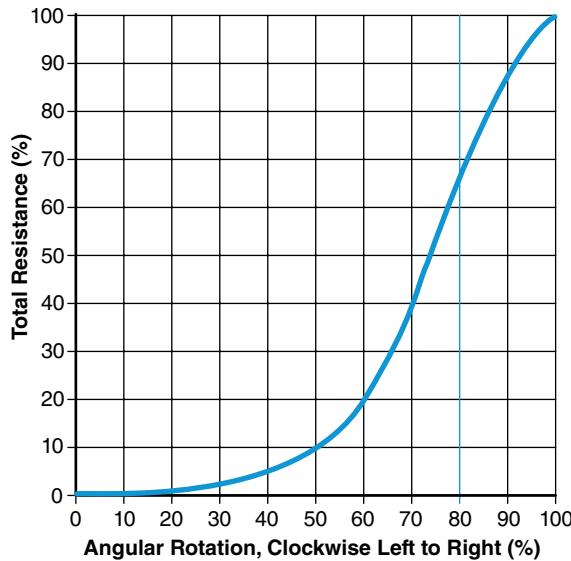
Linear (S) The change in resistance is directly proportional to the degree of rotation (right-hand or left-hand).



Linear (Special) Attains 50% resistance value at 50% of clockwise rotation (left-hand).



Log (Z) Attains 10% resistance value at 50% of clockwise rotation (left-hand).



Reverse Log (RZ) Attains 10% resistance value at 50% of clockwise rotation (right-hand).

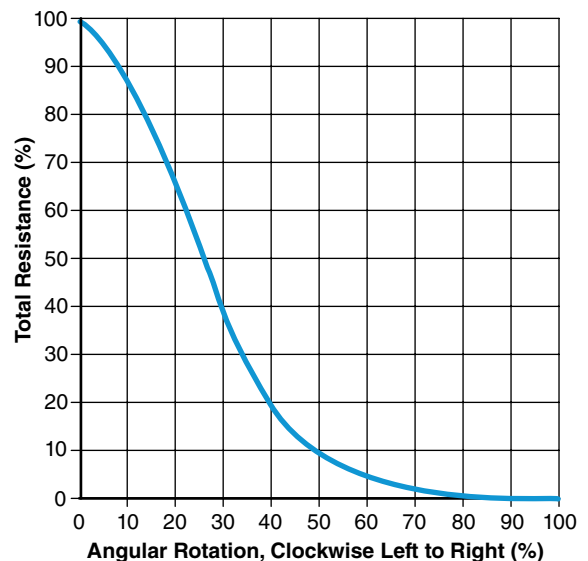
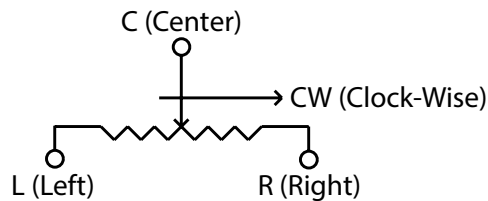


Figure 4. Functional Schematic



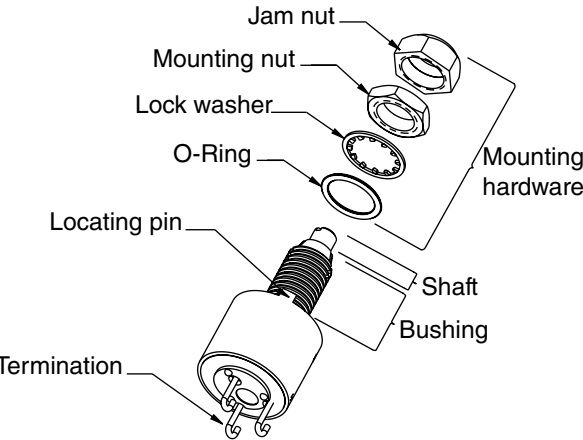
General Configuration Guide

Figure 5. General Configuration Guide

This figure shows possible 392 Series and RV6 Series configurations. Not all combinations may be available, please contact Honeywell. See the Order Guides for each series on subsequent pages for currently available catalog listings.

| Product Series | Bushings Type and Length | Switch | Shaft Type | Shaft Length | Resistance | | Electrical Taper and Resistance Tolerance | Anti-Rotation (AR) Locating Pin | Termination Type | | |
|---|---|--------|---|--|-----------------------------------|-----------------------------|---|---------------------------------|--------------------------------------|------------------|--------|
| | | | | | Significant Digit | Number of Zeros that Follow | | | | | |
| 392 Series, RV6 Series 0.5 W Conductive Plastic Potentiometers | Metal: 1/4-32 NEF-2A: Panel seal: Standard (6,35 mm [0.25 in]) | None | Metal: Ø3,18 mm [0.125 in]: Flatted | 9,53 mm [0.325] ¹ | 10 Ohm | 0 | Linear: 10% 20% Linear special Log: 10% 20% Reverse Log: 10% 20% Custom | No locating pins | Solder hook | | |
| | Split locking (12,7 mm [0.50 in]) | | Round | 12,7 mm [0.50 in] ¹ | 15 Ohm | 1 | | | | One locating pin | PC pin |
| | | | | 15,88 mm [0.625 in] | 20 Ohm | 2 | | | | | |
| | | | | 19,05 mm [0.75 in] | 25 Ohm | 3 | | | | | |
| | | | | 22,23 mm [0.875 in] | 50 Ohm | 4 | | | | | |
| | | | | 31,75 mm [1.25 in] | 5 | | | | | | |
| | 50,8 mm [2.00 in] 63,5 mm [2.50 in] Custom | | Slotted | ¹ Applies to 6,25 mm [0.25 in] bushings only. | Two locating pins | Custom | | | | | |
| | Plastic: Ø3,18 mm [0.125 in]: Slotted | | Custom | Custom | | | | Custom | | | |
| | | | | | | | | | Split locking (12,7 mm [0.50 in]) | Custom | |
| | | | | | Unthreaded (6,25 mm [0.25 in]) | | | | | | |
| | Plastic: 1/4-32 NEF-2A: Standard | | Custom | Custom | Custom | | | | | | |
| | Trimmer | | | | | | | | | | |
| | Custom | | | | | | | | | | |

General 392 Series, RV6 Series Terminology



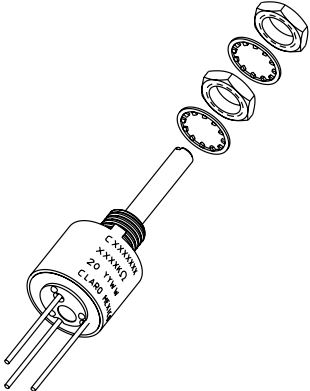
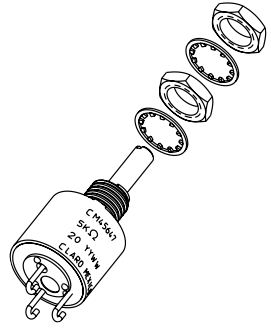
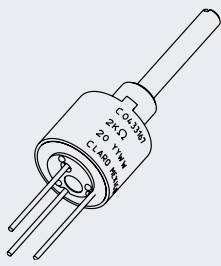
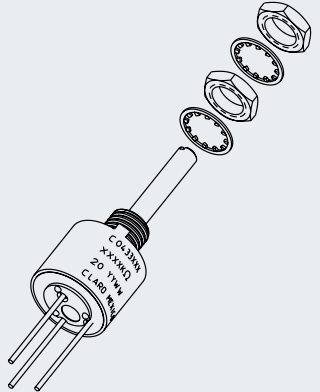
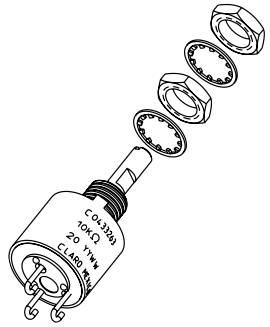
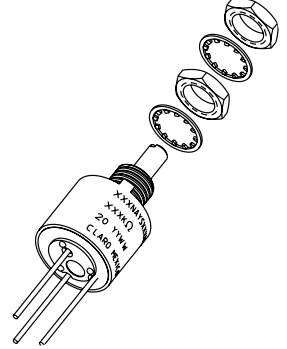
392 Series Specific Configurations

Table 5. 392 Series Metal Shaft and Metal Bushing Specific Configurations

| Shaft Type | Bushing Type | AR Pin | Termination | Configuration with Associated Hardware | Shaft Type | Bushing Type | AR Pin | Termination | Configuration with Associated Hardware |
|--|--|---------|-------------|--|--|--|---------|-------------|--|
| 392-A (See Table 392-A on p. 11.) | | | | | 392-B (See Table 392-B on p. 11.) | | | | |
| flatted | panel seal, standard, 6,35 mm [0.25 in] | 1 and 2 | solder hook | | round | no panel seal, standard, 6,35 mm [0.25 in] | 1 and 2 | solder hook | |
| 392-C (See Table 392-C on p. 12.) | | | | | 392-D (See Table 392-D on p. 12.) | | | | |
| flatted | no panel seal, split, locking, 12,7 mm [0.50 in] | 1 and 2 | PC pin | | slotted | no panel seal, standard, 6,35 mm [0.25 in] | 1 | PC pin | |
| 392-E (See Table 392-E on p. 13.) | | | | | 392-F (See Table 392-F on p. 13.) | | | | |
| flatted | no panel seal, standard, 6,35 mm [0.25 in] | 0 | PC pin | | slotted | no panel seal, standard, 6,35 mm [0.25 in] | 1 | PC pin | |
| 392-G (See Table 392-G on p. 14.) | | | | | 392-H (See Table 392-H on p. 14.) | | | | |
| flatted | no panel seal, standard, 6,35 mm [0.25 in] | 1 | solder hook | | slotted | no panel seal, standard, 6,35 mm [0.25 in] | 1 | solder hook | |
| 392-I (See Table 392-I on p. 15.) | | | | | 392-J (See Table 392-J on p. 15.) | | | | |
| flatted | no panel seal, standard, 6,35 mm [0.25 in] | 1 and 2 | PC pin | | slotted | no panel seal, standard, 6,35 mm [0.25 in] | 0 | solder hook | |

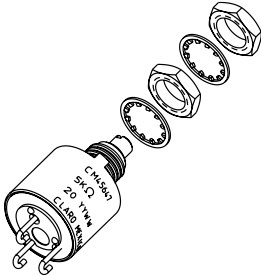
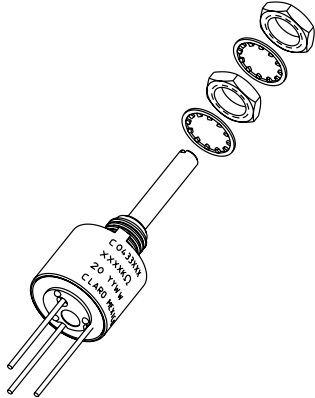
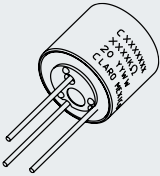
392 Series Specific Configurations

Table 5. 392 Series Metal Shaft and Metal Bushing Specific Configurations (continued)

| Shaft Type | Bushing Type | AR Pin | Termination | Configuration with Associated Hardware | Shaft Type | Bushing Type | AR Pin | Termination | Configuration with Associated Hardware |
|--|---|---------|-------------|---|--|--|---------|-------------|---|
| 392-K (See Table 392-K on p. 16.) | | | | | 392-L (See Table 392-L on p. 17.) | | | | |
| slotted | no panel seal, standard, 6,35 mm [0.25 in] | 1 and 2 | PC pin |  | slotted | no panel seal, standard, 6,35 mm [0.25 in] | 0 | solder hook |  |
| 392-M (See Table 392-M on p. 17.) | | | | | 392-N (See Table 392-N on p. 18.) | | | | |
| slotted | no panel seal, un-threaded, 6,35 mm [0.25 in] | 1 and 2 | PC pin |  | slotted | no panel seal, standard, 6,35 mm [0.25 in] | 1 and 2 | PC pin |  |
| 392-O (See Table 392-O on p. 18.) | | | | | 392-P (See Table 392-P on p. 18.) | | | | |
| slotted | no panel seal, standard, 6,35 mm [0.25 in] | 1 and 2 | solder hook |  | slotted | no panel seal, standard, 6,35 mm [0.25 in] | 1 and 2 | PC pin |  |

392 Series Specific Configurations

Table 5. 392 Series Plastic Shaft and Plastic Bushing Specific Configurations

| Shaft Type | Bushing Type | AR Pin | Termination | Configuration with Associated Hardware | Shaft Type | Bushing Type | AR Pin | Termination | Configuration with Associated Hardware |
|--|---|--------|-------------|---|---|---|--------|-------------|---|
| 392-Q (See Table 392-Q on p. 19.) | | | |  | 392-R (See Table 392-R on p 20.) | | | |  |
| slotted | no panel seal, standard, 6,35 mm [0.25 in] length | 2 | solder hook | | slotted | no panel seal, standard, 6,35 mm [0.25 in] length | 0 | PC pin | |
| 392-S (See Table 392-S on p. 21.) | | | |  | | | | | |
| slotted | trimmer, standard | 0 | PC pin | | | | | | |

392 Series Order Guides

Table 392-A Order Guide

| Catalog Listing | Electrical | | | Dimensions | | | | RoHS Compliant | Mounting Hardware |
|-----------------|------------------|---------------------------|-------|-------------------------|------------------------|--------------------------|----------------------------|----------------|-------------------|
| | Resistance (Ohm) | Resistance Tolerance (±%) | Taper | A Flat Length (mm [in]) | B Flat Width (mm [in]) | C Shaft Length (mm [in]) | D Bushing Length (mm [in]) | | |
| 392074M8792 | 10 k | 10 | S | 4,78 [0.188] | 2,39 [0.094] | 12,70 [0.500] | 6,35 [0.250] | yes | unassembled |

Dimensional Drawing (For reference only: mm [in].)

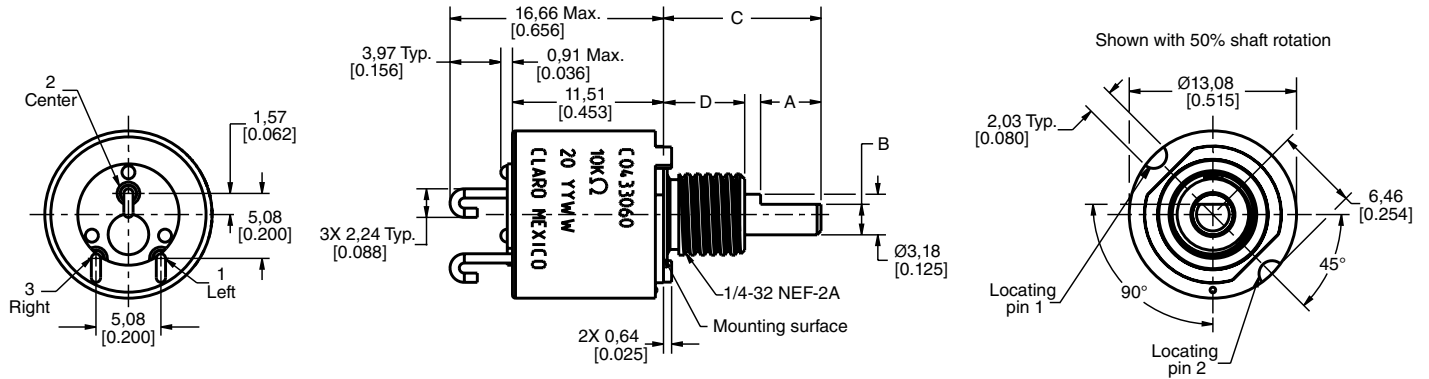
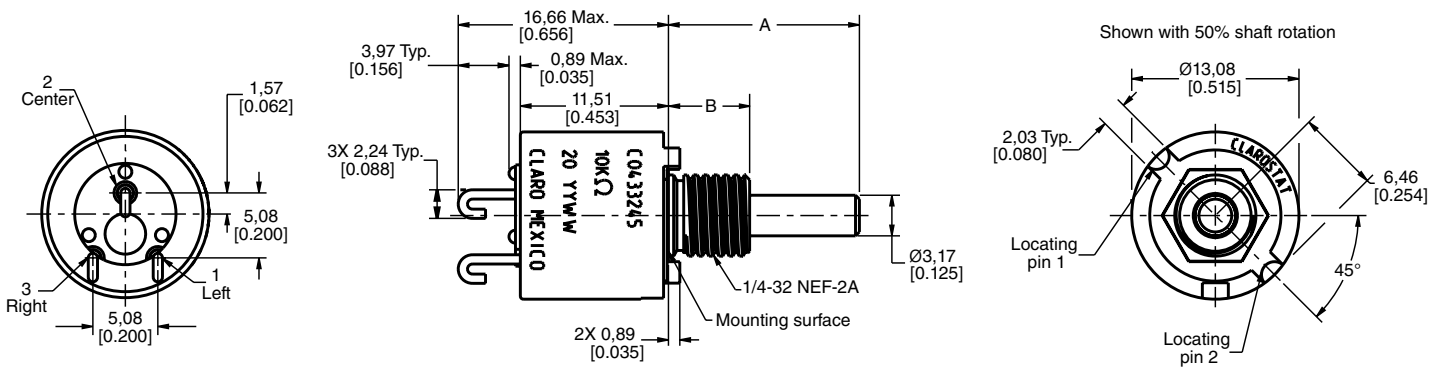


Table 392-B Order Guide

| Catalog Listing | Electrical | | | Dimensions | | RoHS Compliant | Mounting Hardware |
|-----------------|------------------|---------------------------|-------|--------------------------|----------------------------|----------------|-------------------|
| | Resistance (Ohm) | Resistance Tolerance (±%) | Taper | A Shaft Length (mm [in]) | B Bushing Length (mm [in]) | | |
| 392063M9270 | 10 k | 10 | S | 15,09 [0.594] | 6,35 [0.250] | yes | unassembled |

Dimensional Drawing (For reference only: mm [in].)



392 Series Order Guides

Table 392-C Order Guide

| Catalog Listing | Electrical | | | Dimensions | | | | | RoHS Compliant | Mounting Hardware |
|-----------------|------------------|---------------------------|-------|-------------------------|------------------------|--------------------------|----------------------------|--------------------------------|----------------|-------------------|
| | Resistance (Ohm) | Resistance Tolerance (±%) | Taper | A Flat Length (mm [in]) | B Flat Width (mm [in]) | C Shaft Length (mm [in]) | D Bushing Length (mm [in]) | E Termination Length (mm [in]) | | |
| 392050M7461 | 2.5 M | 10 | S | 5,16 [0.203] | 2,39 [0.094] | 18,26 [0.719] | 12,70 [0.500] | 14,30 [0.563] | yes | unassembled |

Dimensional Drawing (For reference only: mm [in].)

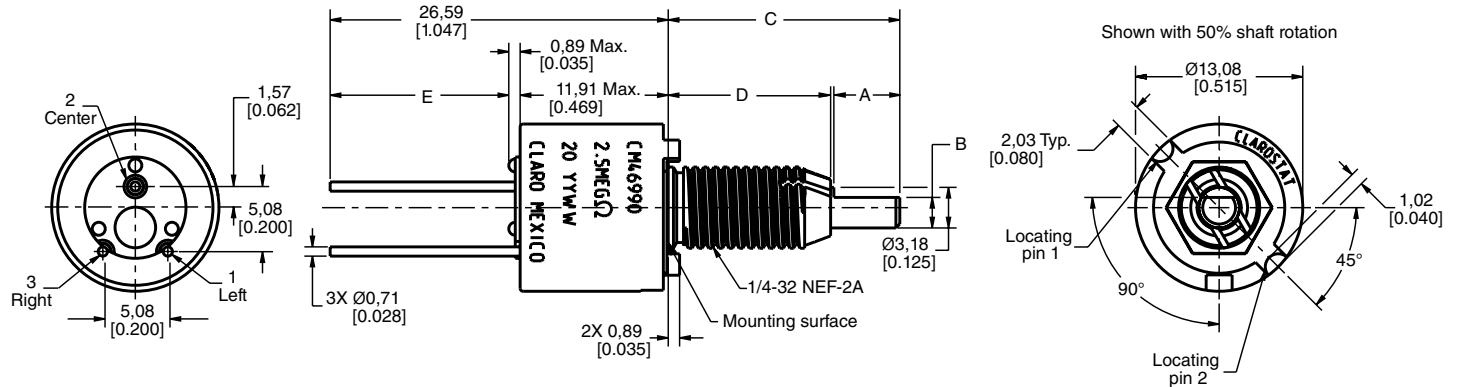
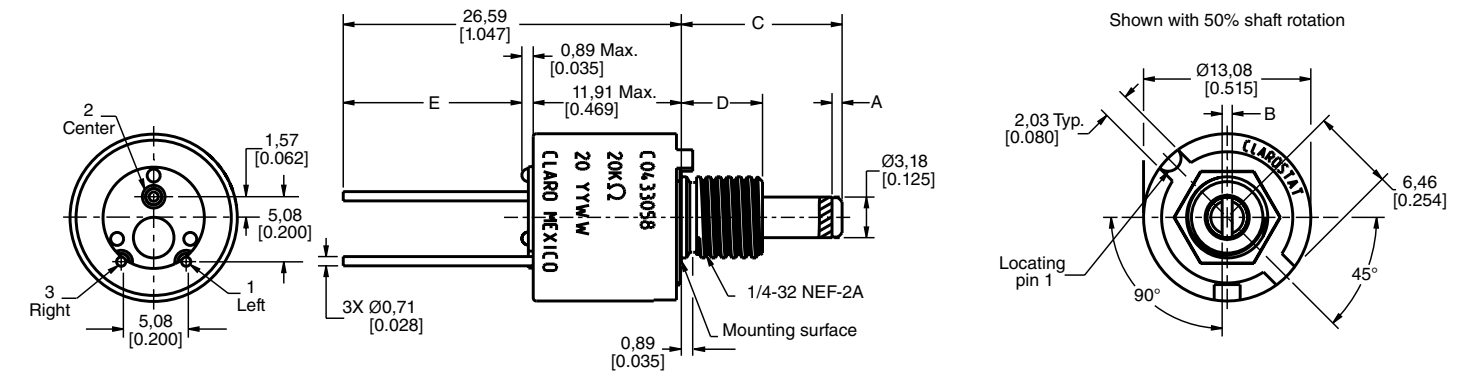


Table 392-D Order Guide

| Catalog Listing | Electrical | | | Dimensions | | | | | RoHS Compliant | Mounting Hardware |
|-----------------|------------------|---------------------------|-------|------------------------|------------------------|--------------------------|----------------------------|--------------------------------|----------------|-------------------|
| | Resistance (Ohm) | Resistance Tolerance (±%) | Taper | A Slot Depth (mm [in]) | B Slot Width (mm [in]) | C Shaft Length (mm [in]) | D Bushing Length (mm [in]) | E Termination Length (mm [in]) | | |
| 392050M8789 | 10 k | 10 | RZ | 0,79 [0.031] | 0,79 [0.031] | 12,70 [0.500] | 6,35 [0.250] | 14,30 [0.563] | yes | unassembled |

Dimensional Drawing (For reference only: mm [in].)



392 Series Order Guides

Table 392-E Order Guide

| Catalog Listing | Electrical | | | Dimensions | | | | | RoHS Compliant | Mounting Hardware |
|-----------------|------------------|----------------------------------|-------|-------------------------|------------------------|--------------------------|----------------------------|--------------------------------|----------------|-------------------|
| | Resistance (Ohm) | Resistance Tolerance ($\pm\%$) | Taper | A Flat Length (mm [in]) | B Flat Width (mm [in]) | C Shaft Length (mm [in]) | D Bushing Length (mm [in]) | E Termination Length (mm [in]) | | |
| 392050M9605 | 2.5 k | 10 | S | 7,14 [0.281] | 2,36 [0.093] | 14,27 [0.562] | 4,75 [0.187] | 14,30 [0.563] | yes | unassembled |

Dimensional Drawing (For reference only: mm [in].)

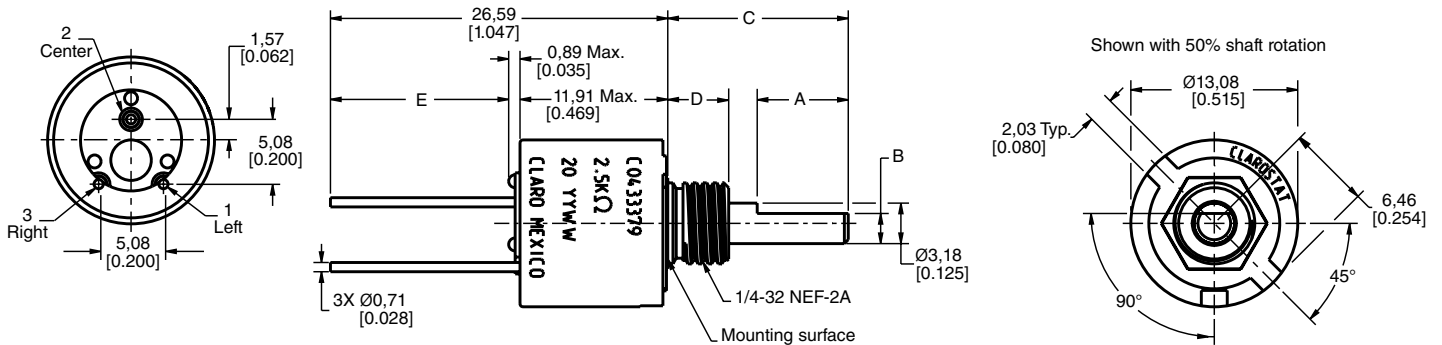
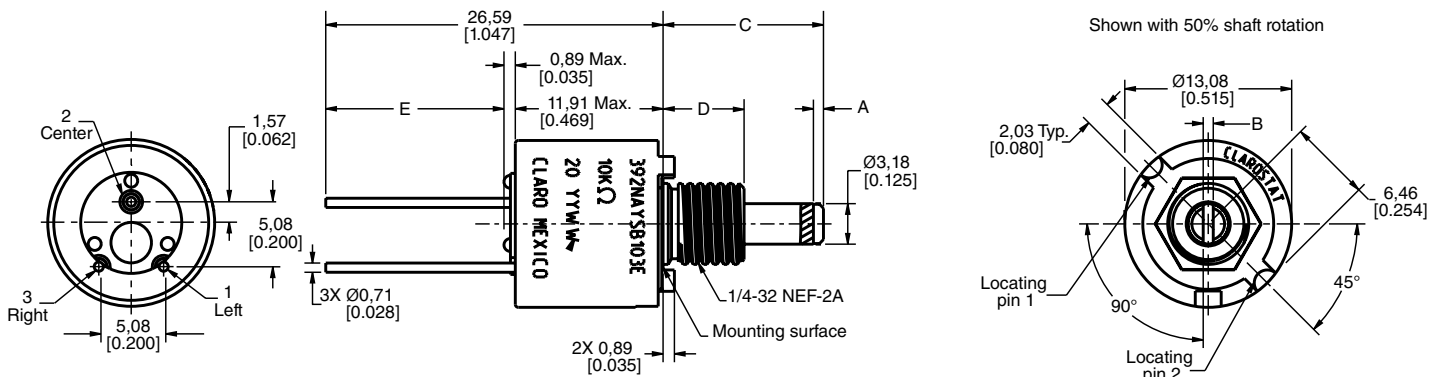


Table 392-F Order Guide

| Catalog Listing | Electrical | | | Dimensions | | | | | RoHS Compliant | Mounting Hardware |
|-----------------|------------------|----------------------------------|-------|------------------------|------------------------|--------------------------|----------------------------|--------------------------------|----------------|-------------------|
| | Resistance (Ohm) | Resistance Tolerance ($\pm\%$) | Taper | A Slot Depth (mm [in]) | B Slot Width (mm [in]) | C Shaft Length (mm [in]) | D Bushing Length (mm [in]) | E Termination Length (mm [in]) | | |
| 392050234617001 | 10 k | 10 | RZ | 0,79 [0.031] | 0,79 [0.031] | 12,70 [0.500] | 6,35 [0.250] | 14,30 [0.563] | no | unassembled |

Dimensional Drawing (For reference only: mm [in].)



392 Series Order Guides

Table 392-G Order Guide

| Catalog Listing | Electrical | | | Dimensions | | | | RoHS Compliant | Mounting Hardware |
|-----------------|------------------|---------------------------|---------|-------------------------|------------------------|--------------------------|----------------------------|----------------|-------------------|
| | Resistance (Ohm) | Resistance Tolerance (±%) | Taper | A Flat Length (mm [in]) | B Flat Width (mm [in]) | C Shaft Length (mm [in]) | D Bushing Length (mm [in]) | | |
| 392063M9549 | 15 k | 10 | special | 6,35 [0.250] | 2,39 [0.094] | 41,28 [1.625] | 6,35 [0.250] | yes | unassembled |

Dimensional Drawings (For reference only: mm [in].)

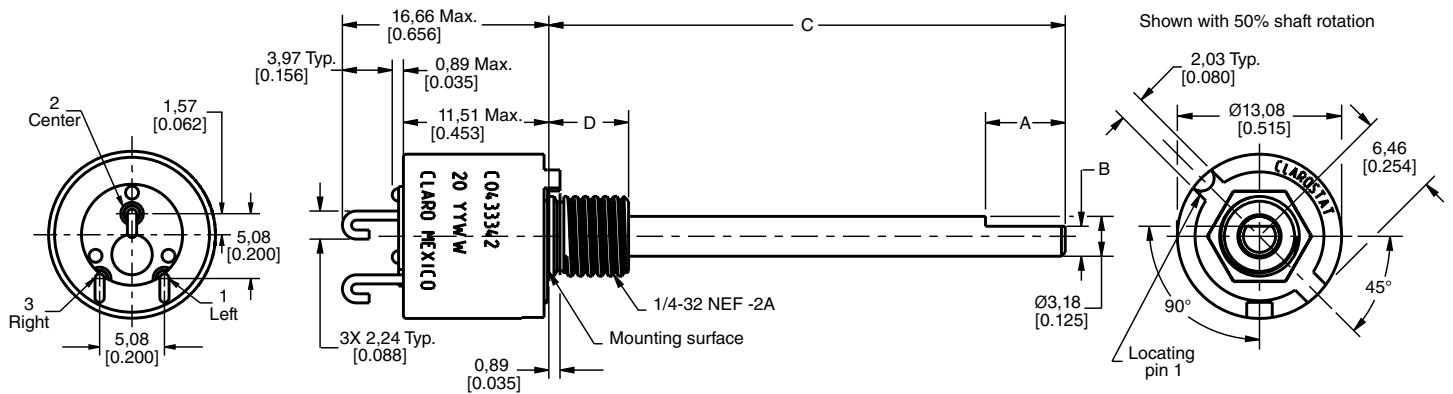
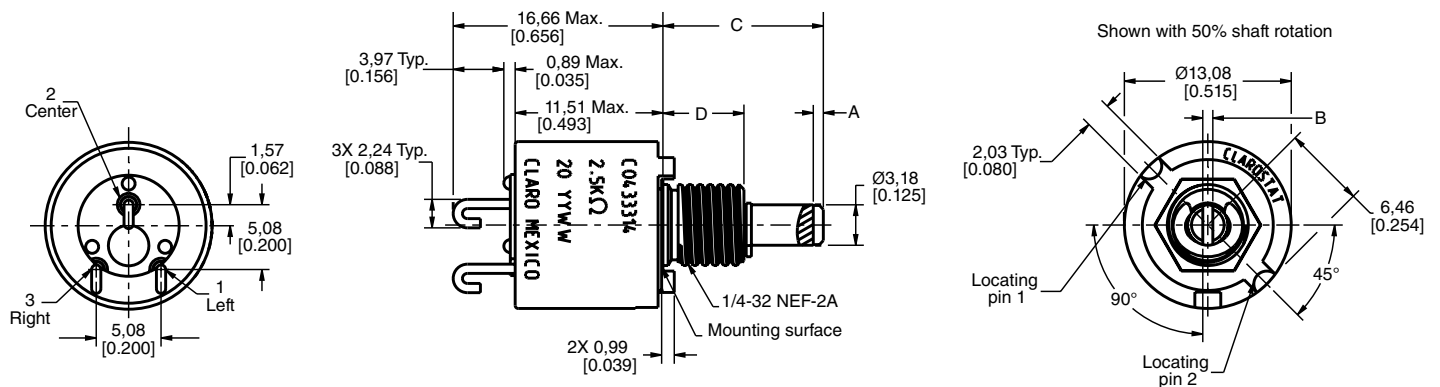


Table 392-H Order Guide

| Catalog Listing | Electrical | | | Dimensions | | | | RoHS Compliant | Mounting Hardware |
|-----------------|------------------|---------------------------|-------|------------------------|------------------------|--------------------------|----------------------------|----------------|-------------------|
| | Resistance (Ohm) | Resistance Tolerance (±%) | Taper | A Slot Depth (mm [in]) | B Slot Width (mm [in]) | C Shaft Length (mm [in]) | D Bushing Length (mm [in]) | | |
| 392101M9437 | 2.5 k | 10 | S | 0,79 [0.031] | 0,79 [0.031] | 12,70 [0.500] | 6,35 [0.250] | yes | unassembled |

Dimensional Drawing (For reference only: mm [in].)



392 Series Order Guides

Table 392-I Order Guide

| Catalog Listing | Electrical | | | Dimensions | | | | | RoHS Compliant | Mounting Hardware |
|-----------------|------------------|---------------------------|-------|-------------------------|------------------------|--------------------------|----------------------------|--------------------------------|----------------|-------------------|
| | Resistance (Ohm) | Resistance Tolerance (±%) | Taper | A Flat Length (mm [in]) | B Flat Width (mm [in]) | C Shaft Length (mm [in]) | D Bushing Length (mm [in]) | E Termination Length (mm [in]) | | |
| 392050M9173 | 10 k | 10 | Z | 11,91 [0.469] | 2,39 [0.094] | 19,05 [0.750] | 6,35 [0.250] | 14,30 [0.563] | yes | unassembled |
| 392050M9514 | 10 k | 10 | Z | 15,47 [0.609] | 2,39 [0.094] | 22,23 [0.875] | 6,35 [0.250] | 14,30 [0.563] | yes | unassembled |

Dimensional Drawing (For reference only: mm [in].)

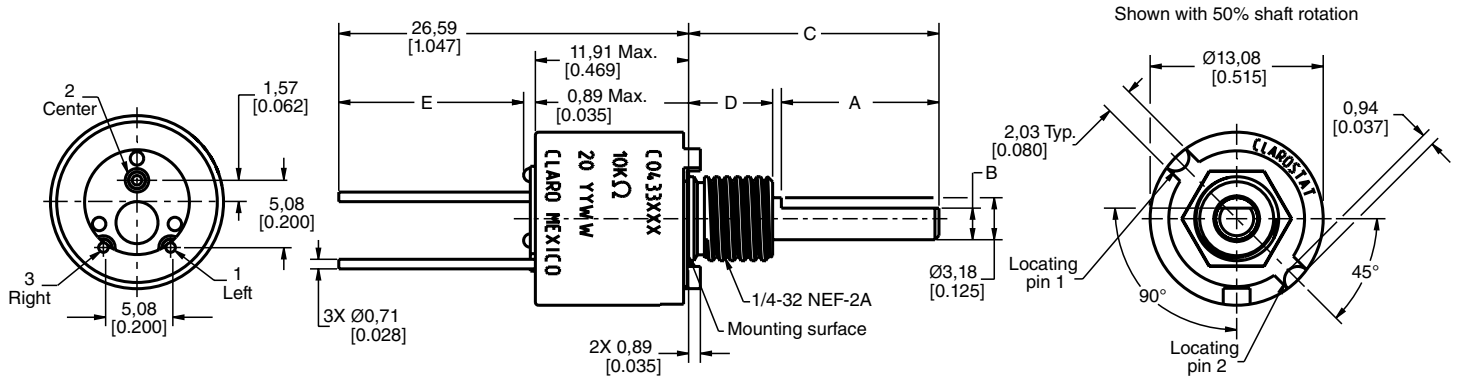
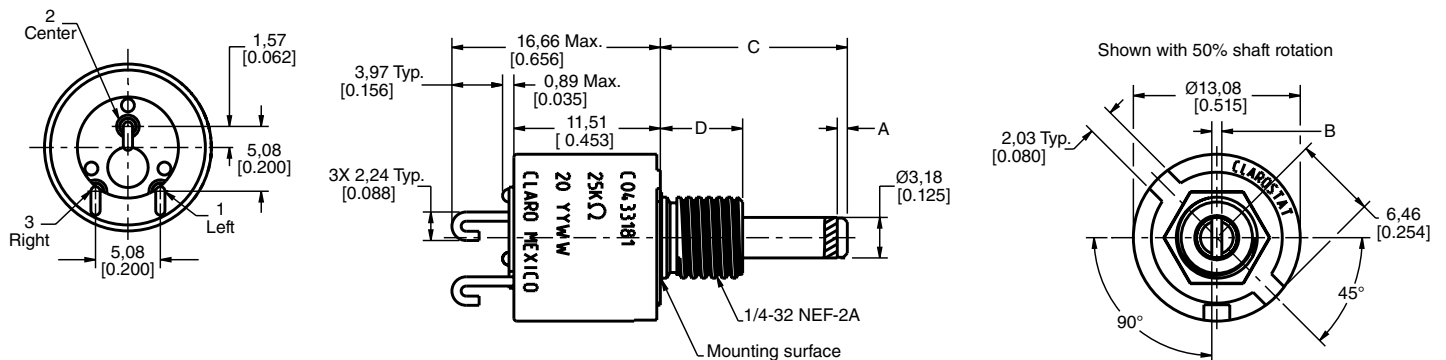


Table 392-J Order Guide

| Catalog Listing | Electrical | | | Dimensions | | | | RoHS Compliant | Mounting Hardware |
|-----------------|------------------|---------------------------|-------|------------------------|------------------------|--------------------------|----------------------------|----------------|-------------------|
| | Resistance (Ohm) | Resistance Tolerance (±%) | Taper | A Slot Depth (mm [in]) | B Slot Width (mm [in]) | C Shaft Length (mm [in]) | D Bushing Length (mm [in]) | | |
| 392063M9038 | 25 k | 10 | S | 0,79 [0.031] | 0,79 [0.031] | 14,68 [0.578] | 6,35 [0.250] | yes | unassembled |

Dimensional Drawing (For reference only: mm [in].)

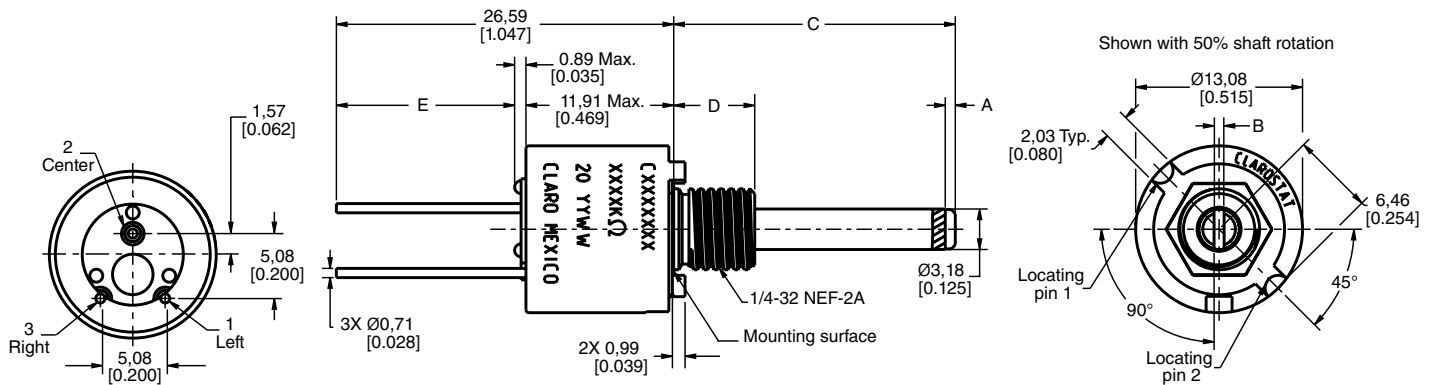


392 Series Order Guides

Table 392-K Order Guide

| Catalog Listing | Electrical | | | Dimensions | | | | | RoHS Compliant | Mounting Hardware |
|-----------------|------------------|----------------------------------|-------|------------------------|------------------------|--------------------------|----------------------------|--------------------------------|----------------|-------------------|
| | Resistance (Ohm) | Resistance Tolerance ($\pm\%$) | Taper | A Slot Depth (mm [in]) | B Slot Width (mm [in]) | C Shaft Length (mm [in]) | D Bushing Length (mm [in]) | E Termination Length (mm [in]) | | |
| 392JA2.5MEG | 2.5 M | 20 | S | 0,79 [0.031] | 0,79 [0.031] | 22,23 [0.875] | 6,35 [0.250] | 14,30 [0.563] | no | unassembled |
| 392JA250 | 250 | 10 | S | 0,79 [0.031] | 0,79 [0.031] | 22,23 [0.875] | 6,35 [0.250] | 14,30 [0.563] | yes | unassembled |
| 392JA2500 | 2.5 k | 10 | S | 0,79 [0.031] | 0,79 [0.031] | 22,23 [0.875] | 6,35 [0.250] | 14,30 [0.563] | yes | unassembled |
| 392JA5MEG | 5 M | 20 | S | 0,79 [0.031] | 0,79 [0.031] | 22,23 [0.875] | 6,35 [0.250] | 14,30 [0.563] | yes | unassembled |
| 392JA1MEG | 1 M | 20 | S | 0,79 [0.031] | 0,79 [0.031] | 22,23 [0.875] | 6,35 [0.250] | 14,30 [0.563] | yes | unassembled |
| 392JA100 | 100 | 10 | S | 0,79 [0.031] | 0,79 [0.031] | 22,23 [0.875] | 6,35 [0.250] | 14,30 [0.563] | yes | unassembled |
| 392JA100K | 100 k | 10 | S | 0,79 [0.031] | 0,79 [0.031] | 22,23 [0.875] | 6,35 [0.250] | 14,30 [0.563] | yes | unassembled |
| 392JA10K | 10 k | 10 | S | 0,79 [0.031] | 0,79 [0.031] | 22,23 [0.875] | 6,35 [0.250] | 14,30 [0.563] | yes | unassembled |
| 392JA1K | 1 k | 10 | S | 0,79 [0.031] | 0,79 [0.031] | 22,23 [0.875] | 6,35 [0.250] | 14,30 [0.563] | yes | unassembled |
| 392JA250K | 250 k | 10 | S | 0,79 [0.031] | 0,79 [0.031] | 22,23 [0.875] | 6,35 [0.250] | 14,30 [0.563] | yes | unassembled |
| 392JA25K | 25 k | 10 | S | 0,79 [0.031] | 0,79 [0.031] | 22,23 [0.875] | 6,35 [0.250] | 14,30 [0.563] | yes | unassembled |
| 392JA500K | 500 k | 10 | S | 0,79 [0.031] | 0,79 [0.031] | 22,23 [0.875] | 6,35 [0.250] | 14,30 [0.563] | yes | unassembled |
| 392JA50K | 50 k | 10 | S | 0,79 [0.031] | 0,79 [0.031] | 22,23 [0.875] | 6,35 [0.250] | 14,30 [0.563] | yes | unassembled |
| 392JA5K | 5 k | 10 | S | 0,79 [0.031] | 0,79 [0.031] | 22,23 [0.875] | 6,35 [0.250] | 14,30 [0.563] | yes | unassembled |
| 392050M8964 | 50 k | 20 | S | 0,79 [0.031] | 0,79 [0.031] | 15,88 [0.625] | 6,35 [0.250] | 14,30 [0.563] | yes | unassembled |
| 392050M9492 | 5 k | 10 | S | 0,79 [0.031] | 0,79 [0.031] | 15,09 [0.594] | 6,35 [0.250] | 14,30 [0.563] | yes | unassembled |
| 392050M9519 | 50 k | 20 | S | 0,79 [0.031] | 0,79 [0.031] | 25,40 [1.00] | 6,35 [0.250] | 14,30 [0.563] | yes | unassembled |
| 392050M0016 | 10 k | 10 | S | 0,79 [0.031] | 0,79 [0.031] | 22,23 [0.875] | 6,35 [0.250] | 9,53 [0.375] | no | unassembled |
| 392050M8715 | 2 k | 20 | S | 0,79 [0.031] | 0,79 [0.031] | 15,88 [0.625] | 6,35 [0.250] | 14,30 [0.563] | yes | unassembled |

Dimensional Drawing (For reference only: mm [in].)



392 Series Order Guides

Table 392-L Order Guide

| Catalog Listing | Electrical | | | Dimensions | | | | RoHS Compliant | Mounting Hardware |
|-----------------|------------------|---------------------------|-------|------------------------|------------------------|--------------------------|----------------------------|----------------|-------------------|
| | Resistance (Ohm) | Resistance Tolerance (±%) | Taper | A Slot Depth (mm [in]) | B Slot Width (mm [in]) | C Shaft Length (mm [in]) | D Bushing Length (mm [in]) | | |
| 392101M9524 | 100 | 10 | S | 0,79 [0.031] | 0,79 [0.031] | 15,88 [0.625] | 6,35 [0.250] | yes | unassembled |

Dimensional Drawing (For reference only: mm [in].)

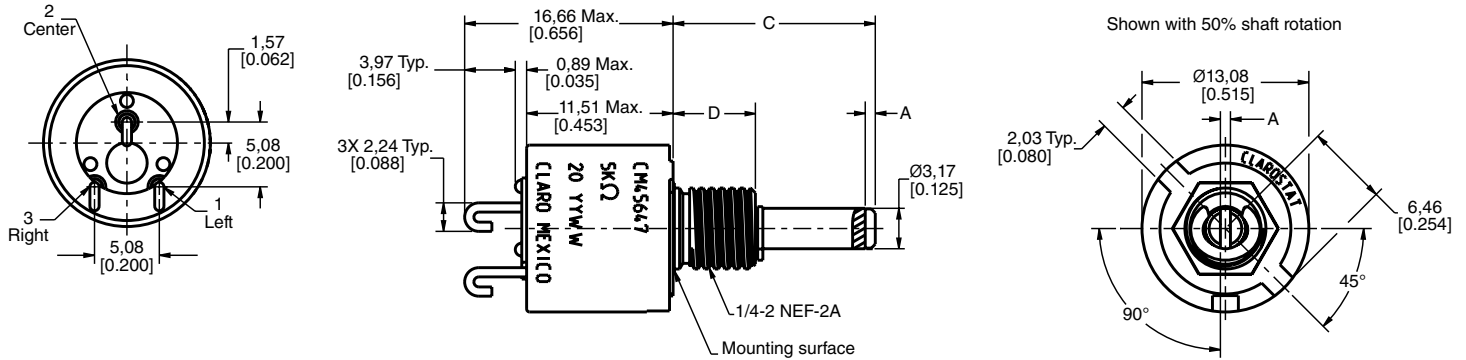
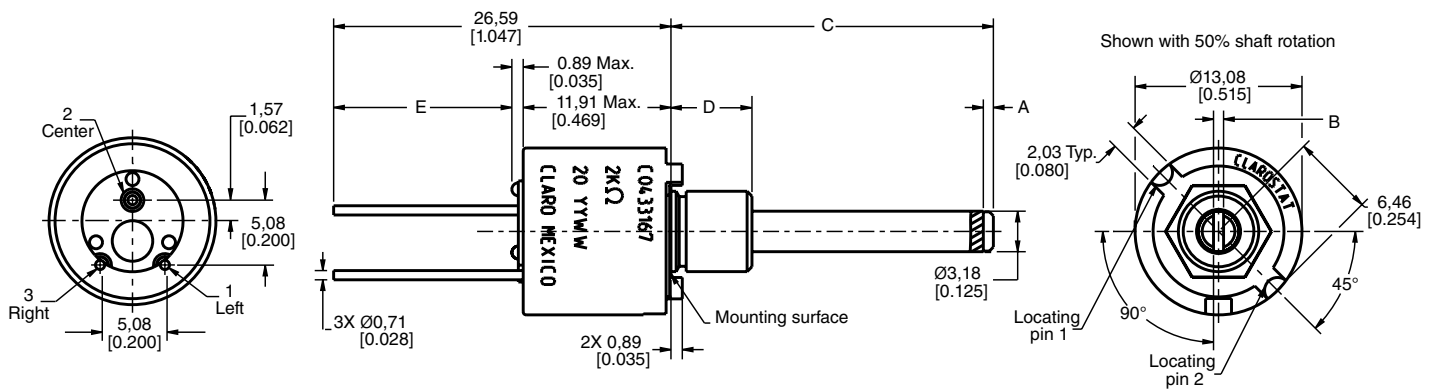


Table 392-M Order Guide

| Catalog Listing | Electrical | | | Dimensions | | | | | RoHS Compliant | Mounting Hardware |
|-----------------|------------------|---------------------------|-------|------------------------|------------------------|--------------------------|----------------------------|--------------------------------|----------------|-------------------|
| | Resistance (Ohm) | Resistance Tolerance (±%) | Taper | A Slot Depth (mm [in]) | B Slot Width (mm [in]) | C Shaft Length (mm [in]) | D Bushing Length (mm [in]) | E Termination Length (mm [in]) | | |
| 392050M9012 | 2 k | 10 | S | 0,79 [0.031] | 0,79 [0.031] | 25,40 [1.000] | 6,35 [0.250] | 14,30 [0.563] | yes | unassembled |

Dimensional Drawing (For reference only: mm [in].)



392 Series Order Guides

Table 392-N Order Guide

| Catalog Listing | Electrical | | | Dimensions | | | | | RoHS Compliant | Mounting Hardware |
|-----------------|------------------|----------------------------------|-------|------------------------|------------------------|--------------------------|----------------------------|--------------------------------|----------------|-------------------|
| | Resistance (Ohm) | Resistance Tolerance ($\pm\%$) | Taper | A Slot Depth (mm [in]) | B Slot Width (mm [in]) | C Shaft Length (mm [in]) | D Bushing Length (mm [in]) | E Termination Length (mm [in]) | | |
| 392050M8756 | 10 k | 10 | Z | 0,79 [0.031] | 0,79 [0.031] | 22,23 [0.875] | 6,35 [0.250] | 14,30 [0.563] | no | unassembled |
| 392050M9382 | 500 | 10 | Z | 0,79 [0.031] | 0,79 [0.031] | 17,45 [0.687] | 7,92 [0.312] | 14,30 [0.563] | yes | unassembled |
| 392050M9488 | 1 M | 20 | Z | 0,79 [0.031] | 0,79 [0.031] | 15,09 [0.594] | 6,35 [0.250] | 14,30 [0.563] | yes | unassembled |

Dimensional Drawing (For reference only: mm [in].)

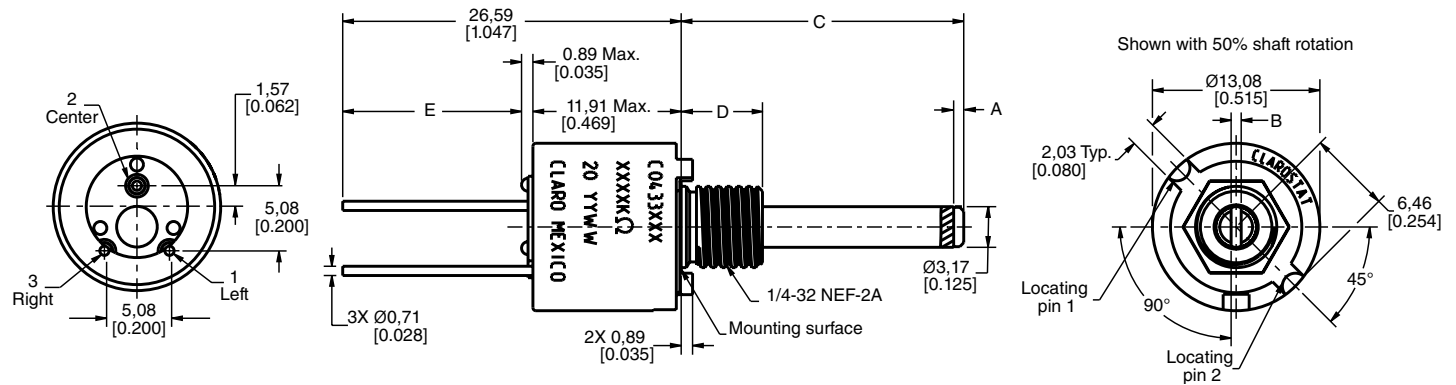
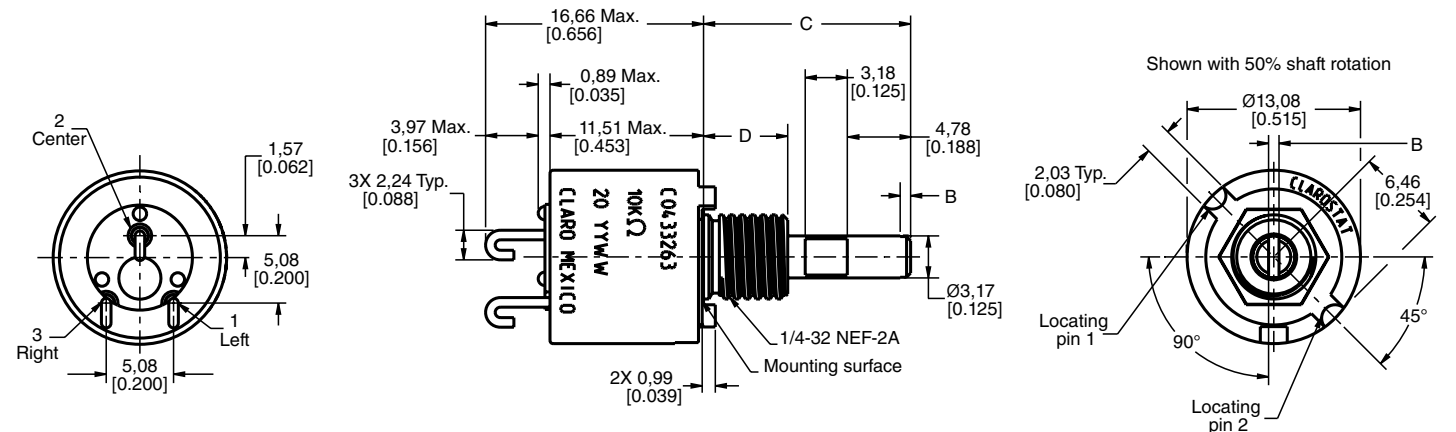


Table 392-O Order Guide

| Catalog Listing | Electrical | | | Dimensions | | | | RoHS Compliant | Mounting Hardware |
|-----------------|------------------|----------------------------------|-------|------------------------|------------------------|--------------------------|----------------------------|----------------|-------------------|
| | Resistance (Ohm) | Resistance Tolerance ($\pm\%$) | Taper | A Slot Depth (mm [in]) | B Slot Width (mm [in]) | C Shaft Length (mm [in]) | D Bushing Length (mm [in]) | | |
| 392063M9308 | 10 k | 10 | S | 0,79 [0.031] | 0,79 [0.031] | 15,88 [0.625] | 6,35 [0.250] | yes | unassembled |

Dimensional Drawing (For reference only: mm [in].)



392 Series Order Guides

Table 392-P Order Guide

| Catalog Listing | Electrical | | | Dimensions | | | | | RoHS Compliant | Mounting Hardware |
|-----------------|------------------|----------------------------------|-------|------------------------|------------------------|--------------------------|----------------------------|--------------------------------|----------------|-------------------|
| | Resistance (Ohm) | Resistance Tolerance ($\pm\%$) | Taper | A Slot Depth (mm [in]) | B Slot Width (mm [in]) | C Shaft Length (mm [in]) | D Bushing Length (mm [in]) | E Termination Length (mm [in]) | | |
| 392NAYSB103A | 10 k | 10 | S | 0,79 [0.031] | 0,79 [0.031] | 12,70 [0.500] | 6,35 [0.250] | 14,30 [0.563] | no | unassembled |

Dimensional Drawing (For reference only: mm [in].)

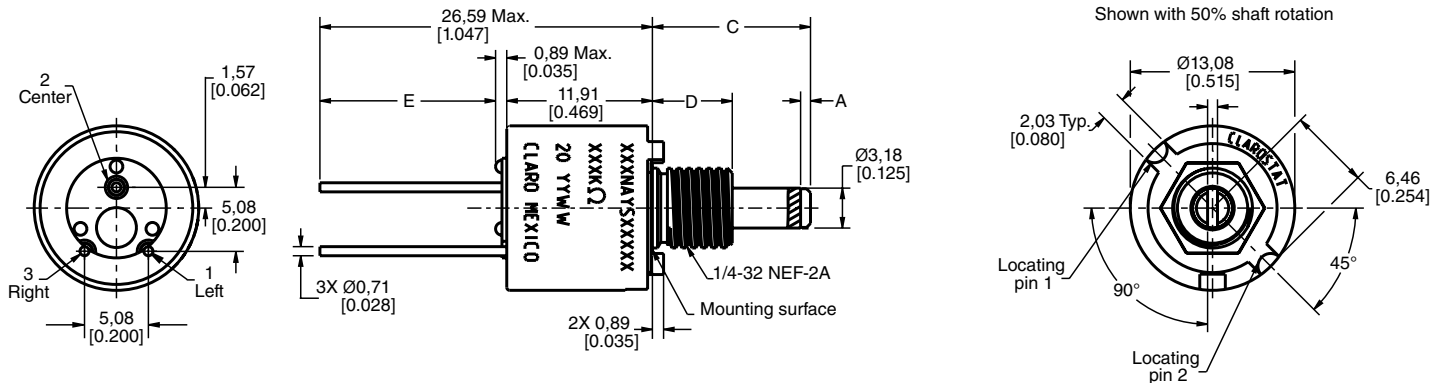
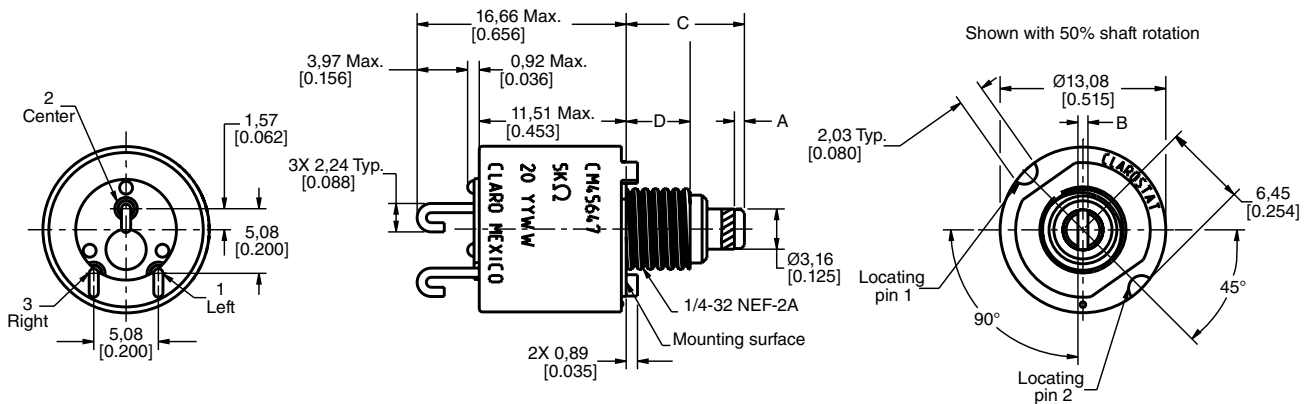


Table 392-Q Order Guide

| Catalog Listing | Electrical | | | Dimensions | | | | RoHS Compliant | Mounting Hardware |
|-----------------|------------------|----------------------------------|-------|------------------------|------------------------|--------------------------|----------------------------|----------------|-------------------|
| | Resistance (Ohm) | Resistance Tolerance ($\pm\%$) | Taper | A Slot Depth (mm [in]) | B Slot Width (mm [in]) | C Shaft Length (mm [in]) | D Bushing Length (mm [in]) | | |
| 392072M6256 | 5 k | 10 | S | 0,79 [0.031] | 0,79 [0.031] | 9,53 [0.375] | 6,35 [0.250] | yes | unassembled |

Dimensional Drawing (For reference only: mm [in].)

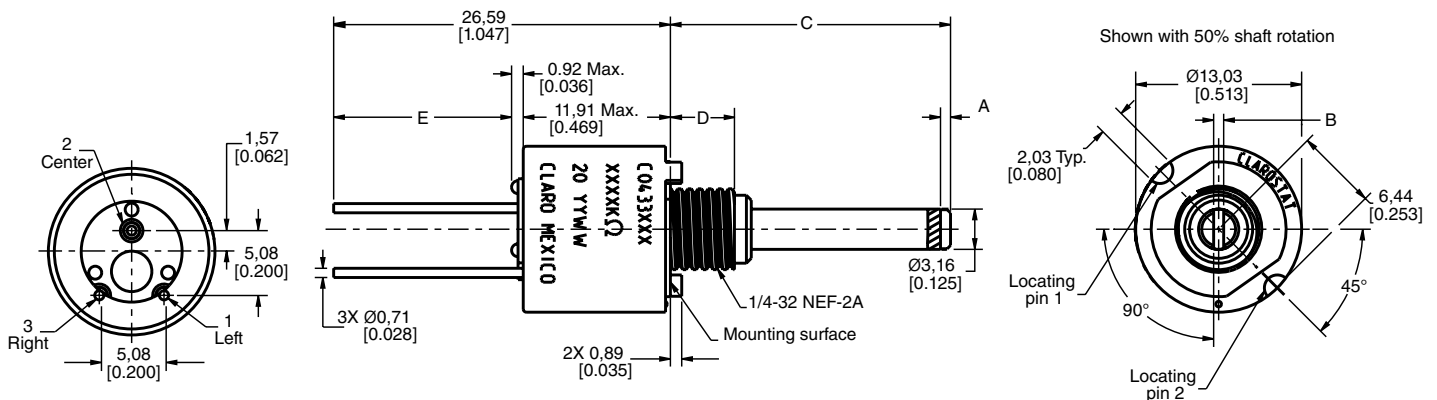


392 Series Order Guides

Table 392-R Order Guide

| Catalog Listing | Electrical | | | Dimensions | | | | | RoHS Compliant | Mounting Hardware |
|-----------------|------------------|----------------------------------|-------|------------------------|------------------------|--------------------------|----------------------------|--------------------------------|----------------|-------------------|
| | Resistance (Ohm) | Resistance Tolerance ($\pm\%$) | Taper | A Slot Depth (mm [in]) | B Slot Width (mm [in]) | C Shaft Length (mm [in]) | D Bushing Length (mm [in]) | E Termination Length (mm [in]) | | |
| 392JB1MEG | 1 M | 20 | S | 0,79 [0.031] | 0,79 [0.031] | 22,23 [0.875] | 6,35 [0.250] | 14,30 [0.563] | yes | unassembled |
| 392JB100 | 100 | 10 | S | 0,79 [0.031] | 0,79 [0.031] | 22,23 [0.875] | 6,35 [0.250] | 14,30 [0.563] | yes | unassembled |
| 392JB100/NEW | 100 | 10 | S | 0,79 [0.031] | 0,79 [0.031] | 22,23 [0.875] | 6,35 [0.250] | 14,30 [0.563] | no | unassembled |
| 392JB100K | 100 k | 10 | S | 0,79 [0.031] | 0,79 [0.031] | 22,23 [0.875] | 6,35 [0.250] | 14,30 [0.563] | yes | unassembled |
| 392JB10K | 10 k | 10 | S | 0,79 [0.031] | 0,79 [0.031] | 22,23 [0.875] | 6,35 [0.250] | 14,30 [0.563] | yes | unassembled |
| 392JB1K | 1 k | 10 | S | 0,79 [0.031] | 0,79 [0.031] | 22,23 [0.875] | 6,35 [0.250] | 14,30 [0.563] | yes | unassembled |
| 392JB250 | 250 | 10 | S | 0,79 [0.031] | 0,79 [0.031] | 22,23 [0.875] | 6,35 [0.250] | 14,30 [0.563] | yes | unassembled |
| 392JB2500 | 2.5 k | 10 | S | 0,79 [0.031] | 0,79 [0.031] | 22,23 [0.875] | 6,35 [0.250] | 14,30 [0.563] | yes | unassembled |
| 392JB250K | 250 k | 10 | S | 0,79 [0.031] | 0,79 [0.031] | 22,23 [0.875] | 6,35 [0.250] | 14,30 [0.563] | yes | unassembled |
| 392JB25K | 25 k | 10 | S | 0,79 [0.031] | 0,79 [0.031] | 22,23 [0.875] | 6,35 [0.250] | 14,30 [0.563] | yes | unassembled |
| 392JB500 | 500 | 10 | S | 0,79 [0.031] | 0,79 [0.031] | 22,23 [0.875] | 6,35 [0.250] | 14,30 [0.563] | yes | unassembled |
| 392JB500K | 500 k | 10 | S | 0,79 [0.031] | 0,79 [0.031] | 22,23 [0.875] | 6,35 [0.250] | 14,30 [0.563] | yes | unassembled |
| 392JB50K | 50 k | 10 | S | 0,79 [0.031] | 0,79 [0.031] | 22,23 [0.875] | 6,35 [0.250] | 14,30 [0.563] | yes | unassembled |
| 392JB5K | 5 k | 10 | S | 0,79 [0.031] | 0,79 [0.031] | 22,23 [0.875] | 6,35 [0.250] | 14,30 [0.563] | yes | unassembled |
| 392051M9692 | 10 k | 10 | S | 0,79 [0.031] | 0,79 [0.031] | 22,23 [0.875] | 6,35 [0.250] | 14,30 [0.563] | yes | none |
| 392051M9693 | 1 M | 20 | S | 0,79 [0.031] | 0,79 [0.031] | 22,23 [0.875] | 6,35 [0.250] | 14,30 [0.563] | yes | none |
| 392051M5761 | 2.5 k | 10 | S | 0,79 [0.031] | 0,79 [0.031] | 15,85 [0.624] | 6,35 [0.250] | 14,30 [0.563] | yes | none |
| 392051M5803 | 1 M | 10 | S | 0,79 [0.031] | 0,79 [0.031] | 15,85 [0.624] | 6,35 [0.250] | 14,30 [0.563] | yes | unassembled |

Dimensional Drawing (For reference only: mm [in].)

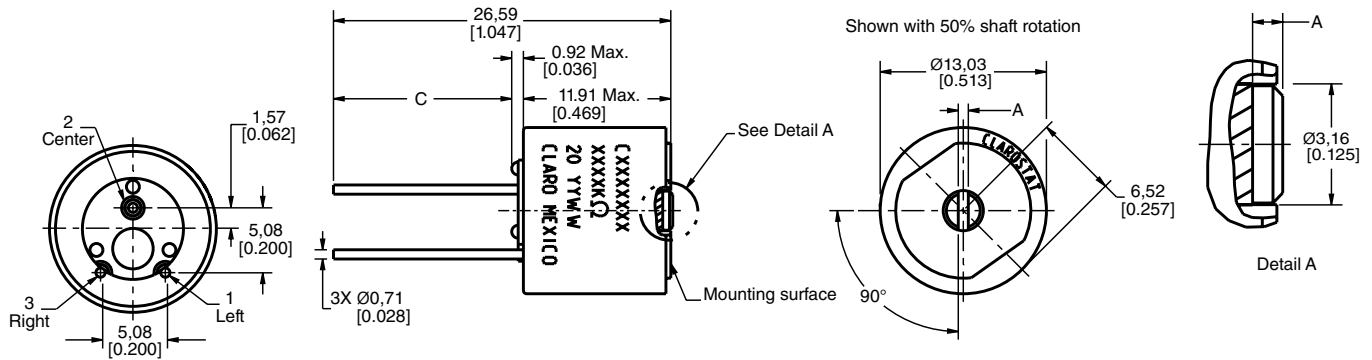


392 Series Order Guides

Table 392-S Order Guide

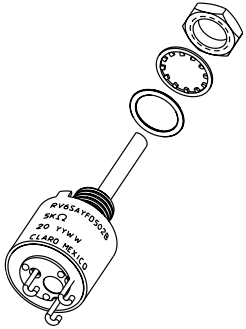
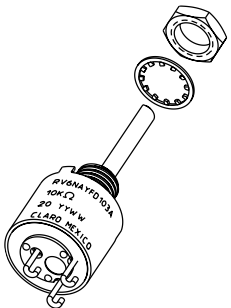
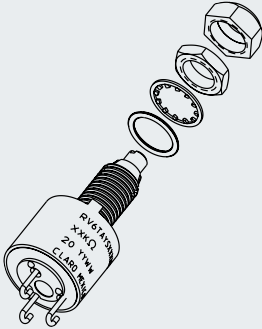
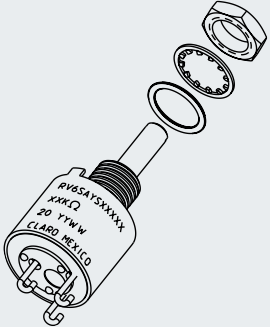
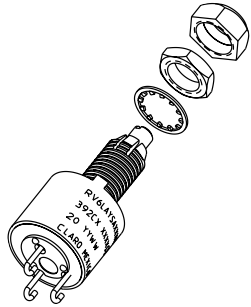
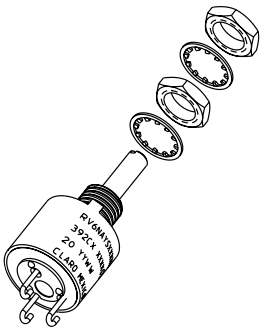

| Catalog Listing | Electrical | | | Dimensions | | | RoHS Compliant | Mounting Hardware |
|-----------------|------------------|----------------------------------|-------|------------------------|------------------------|--------------------------------|----------------|-------------------|
| | Resistance (Ohm) | Resistance Tolerance ($\pm\%$) | Taper | A Slot Depth (mm [in]) | B Slot Width (mm [in]) | C Termination Length (mm [in]) | | |
| 3925100K | 100 k | 10 | S | 0,79 [0.031] | 0,79 [0.031] | 14,30 [0.563] | yes | none |
| 392510K | 10 k | 10 | S | 0,79 [0.031] | 0,79 [0.031] | 14,30 [0.563] | yes | none |
| 3925250 | 250 | 10 | S | 0,79 [0.031] | 0,79 [0.031] | 14,30 [0.563] | yes | none |
| 3925500 | 500 | 10 | S | 0,79 [0.031] | 0,79 [0.031] | 14,30 [0.563] | yes | none |
| 3925500K | 500 k | 10 | S | 0,79 [0.031] | 0,79 [0.031] | 14,30 [0.563] | yes | none |
| 392550K | 50 k | 10 | S | 0,79 [0.031] | 0,79 [0.031] | 14,30 [0.563] | yes | none |
| 39255K | 5 k | 10 | S | 0,79 [0.031] | 0,79 [0.031] | 14,30 [0.563] | yes | none |
| 392055M8814 | 100 k | 10 | S | 0,79 [0.031] | 0,79 [0.031] | 14,30 [0.563] | yes | none |

Dimensional Drawing (For reference only: mm [in].)



RV6 Series Specific Configurations

Table 7. RV6 Series Metal Shaft and Metal Bushing Specific Configurations

| Shaft Type | Bushing Type | AR Pin | Termination | Configuration with Associated Hardware | Shaft Type | Bushing Type | AR Pin | Termination | Configuration with Associated Hardware |
|--|--|---------|-------------|---|--|--|---------|-------------|---|
| RV6-A (See Table RV6-A on p. 23.) | | | | | RV6-B (See Table RV6-B on p. 23.) | | | | |
| flatted | panel seal, standard, 6,35 mm [0.25 in] | 1 and 2 | solder hook |  | flatted | no panel seal, standard, 6,35 mm [0.25 in] | 1 and 2 | solder hook |  |
| RV6-C (See Table RV6-C on p. 24.) | | | | | RV6-D (See Table RV6-D on p. 24.) | | | | |
| slotted | panel seal, split locking, 12,7 mm [0.50 in] | 1 and 2 | solder hook |  | slotted | panel seal, standard, 6,35 mm [0.25 in] | 1 and 2 | solder hook |  |
| RV6-E (See Table RV6-E on p. 25.) | | | | | RV6-F (See Table RV6-F on pp. 26-27.) | | | | |
| slotted | panel seal, split locking, 12,7 mm [0.50 in] | 1 and 2 | solder hook |  | slotted | no panel seal, standard, 6,35 mm [0.25 in] | 1 and 2 | solder hook |  |
| RV6-G (See Table RV6-G on p 27.) | | | | | | | | | |
| slotted | no panel seal, standard, 6,35 mm [0.25 in] | 1 and 2 | solder hook |  | | | | | |

RV6 Series Order Guides

Table RV6-A Order Guide

| Catalog Listing | Electrical | | | Dimensions | | | | RoHS Compliant | Mounting Hardware |
|-----------------|------------------|---------------------------|-------|-------------------------|------------------------|--------------------------|----------------------------|----------------|-------------------|
| | Resistance (Ohm) | Resistance Tolerance (±%) | Taper | A Flat Length (mm [in]) | B Flat Width (mm [in]) | C Shaft Length (mm [in]) | D Bushing Length (mm [in]) | | |
| RV6SAYFD502B | 5 k | 20 | S | 15,47 [0.609] | 2,39 [0.094] | 22,23 [0.875] | 6,35 [0.250] | no | unassembled |

Dimensional Drawing (For reference only: mm [in].)

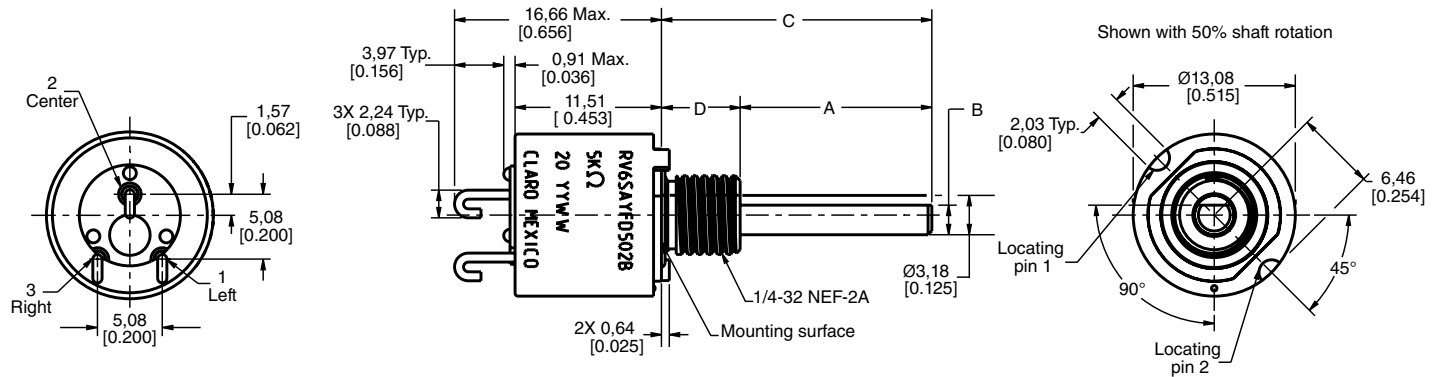
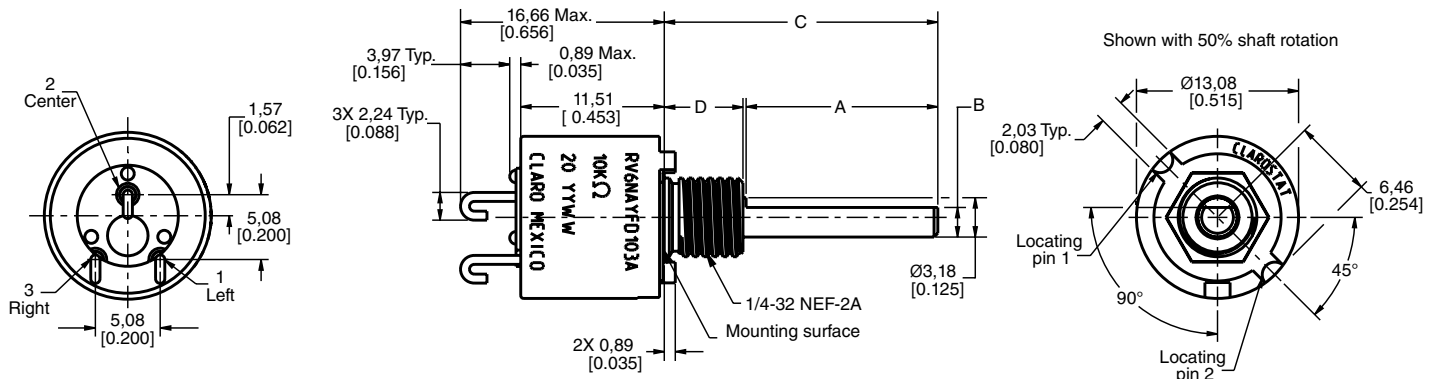


Table RV6-B Order Guide

| Catalog Listing | Electrical | | | Dimensions | | | | RoHS Compliant | Mounting Hardware |
|-----------------|------------------|---------------------------|-------|-------------------------|------------------------|--------------------------|----------------------------|----------------|-------------------|
| | Resistance (Ohm) | Resistance Tolerance (±%) | Taper | A Flat Length (mm [in]) | B Flat Width (mm [in]) | C Shaft Length (mm [in]) | D Bushing Length (mm [in]) | | |
| RV6NAYFD103A | 10 k | 10 | S | 15,47 [0.609] | 2,39 [0.094] | 22,23 [0.875] | 6,35 [0.250] | no | unassembled |

Dimensional Drawing (For reference only: mm [in].)



RV6 Series Order Guides

Table RV6-C Order Guide

| Catalog Listing | Electrical | | | Dimensions | | | | RoHS Compliant | Mounting Hardware |
|-----------------|------------------|---------------------------|-------|------------------------|------------------------|--------------------------|----------------------------|----------------|-------------------|
| | Resistance (Ohm) | Resistance Tolerance (±%) | Taper | A Slot Depth (mm [in]) | B Slot Width (mm [in]) | C Shaft Length (mm [in]) | D Bushing Length (mm [in]) | | |
| RV6TAYSA103A | 10 k | 10 | S | 0,79 [0.031] | 0,79 [0.031] | 15,88 [0.625] | 12,70 [0.500] | no | unassembled |
| RV6TAYSA503A | 50 k | 10 | S | 0,79 [0.031] | 0,79 [0.031] | 15,88 [0.625] | 12,70 [0.500] | no | unassembled |
| RV6TAYSD103A | 10 k | 10 | S | 0,79 [0.031] | 0,79 [0.031] | 22,23 [0.875] | 12,70 [0.500] | no | unassembled |
| RV6TAYSD502B | 5 k | 20 | S | 0,79 [0.031] | 0,79 [0.031] | 22,23 [0.875] | 12,70 [0.500] | no | unassembled |

Dimensional Drawing (For reference only: mm [in].)

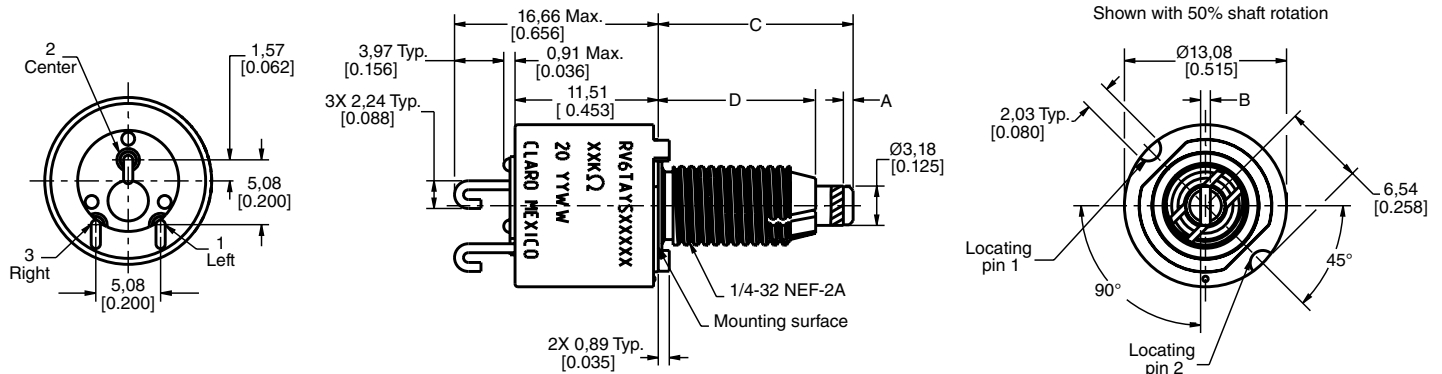
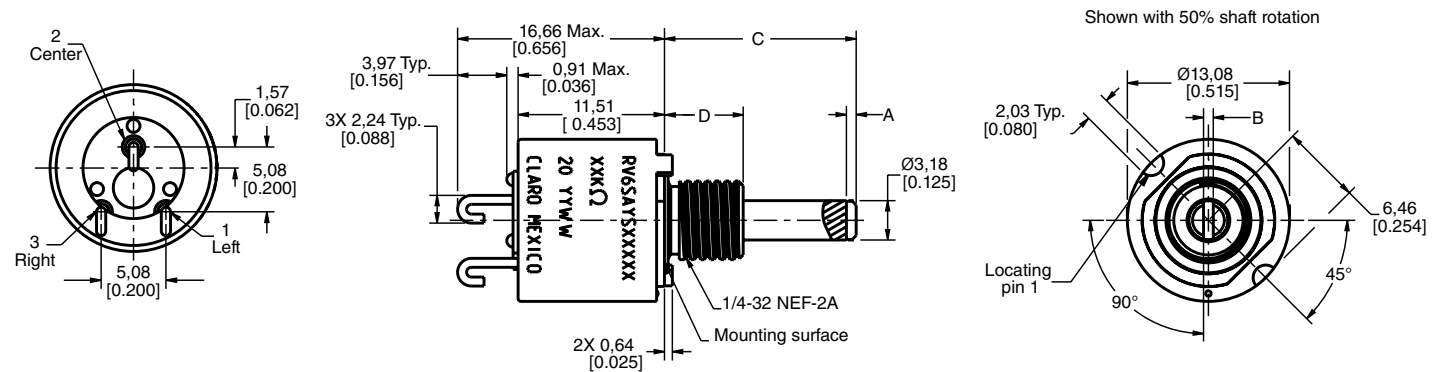


Table RV6-D Order Guide

| Catalog Listing | Electrical | | | Dimensions | | | | RoHS Compliant | Mounting Hardware |
|-------------------------|------------------|---------------------------|-------|------------------------|------------------------|--------------------------|----------------------------|----------------|-------------------|
| | Resistance (Ohm) | Resistance Tolerance (±%) | Taper | A Slot Depth (mm [in]) | B Slot Width (mm [in]) | C Shaft Length (mm [in]) | D Bushing Length (mm [in]) | | |
| RV6SAYSA103A | 10 k | 10 | S | 0,79 [0.031] | 0,79 [0.031] | 15,88 [0.625] | 12,70 [0.500] | no | unassembled |
| RV6SAYSA104A | 100 k | 10 | S | 0,79 [0.031] | 0,79 [0.031] | 22,23 [0.875] | 12,70 [0.500] | no | unassembled |
| RV6SAYSD251A | 250 k | 10 | S | 0,79 [0.031] | 0,79 [0.031] | 22,23 [0.875] | 12,70 [0.500] | no | unassembled |
| RV6SAYSD502A N/P 392 | 5 k | 10 | S | 0,79 [0.031] | 0,79 [0.031] | 22,23 [0.875] | 12,70 [0.500] | no | unassembled |

Dimensional Drawing (For reference only: mm [in].)

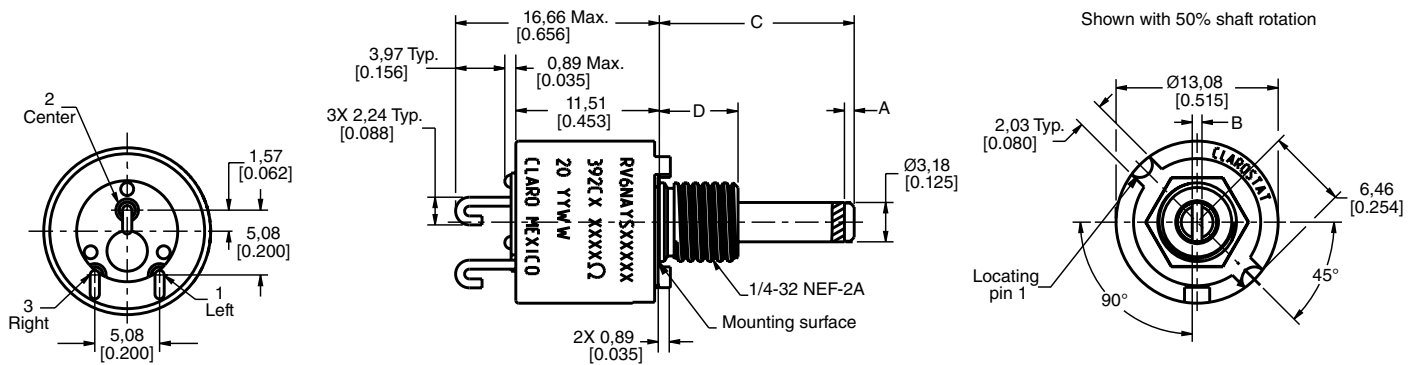


RV6 Series Order Guides

Table RV6-E Order Guide

| Catalog Listing | Electrical | | | Dimensions | | | | RoHS Compliant | Mounting Hardware |
|-----------------|------------------|---------------------------|-------|-------------------------|------------------------|--------------------------|----------------------------|----------------|-------------------|
| | Resistance (Ohm) | Resistance Tolerance (±%) | Taper | A Flat Length (mm [in]) | B Flat Width (mm [in]) | C Shaft Length (mm [in]) | D Bushing Length (mm [in]) | | |
| RV6LAYS101A | 100 | 10 | S | 0,79 [0.031] | 0,79 [0.031] | 15,88 [0.625] | 12,70 [0.500] | no | assembled |
| RV6LAYS102A | 1 k | 10 | S | 0,79 [0.031] | 0,79 [0.031] | 15,88 [0.625] | 12,70 [0.500] | no | assembled |
| RV6LAYS103A | 10 k | 10 | S | 0,79 [0.031] | 0,79 [0.031] | 15,88 [0.625] | 12,70 [0.500] | no | assembled |
| RV6LAYS104A | 100 k | 10 | S | 0,79 [0.031] | 0,79 [0.031] | 15,88 [0.625] | 12,70 [0.500] | no | assembled |
| RV6LAYS105A | 1 M | 10 | S | 0,79 [0.031] | 0,79 [0.031] | 15,88 [0.625] | 12,70 [0.500] | no | assembled |
| RV6LAYS251A | 250 | 10 | S | 0,79 [0.031] | 0,79 [0.031] | 15,88 [0.625] | 12,70 [0.500] | no | assembled |
| RV6LAYS252A | 2.5 k | 10 | S | 0,79 [0.031] | 0,79 [0.031] | 15,88 [0.625] | 12,70 [0.500] | no | assembled |
| RV6LAYS253A | 25k | 10 | S | 0,79 [0.031] | 0,79 [0.031] | 15,88 [0.625] | 12,70 [0.500] | no | assembled |
| RV6LAYS501A | 500 | 10 | S | 0,79 [0.031] | 0,79 [0.031] | 15,88 [0.625] | 12,70 [0.500] | no | assembled |
| RV6LAYS502A | 5 k | 10 | S | 0,79 [0.031] | 0,79 [0.031] | 15,88 [0.625] | 12,70 [0.500] | no | assembled |
| RV6LAYS503A | 50 k | 20 | S | 0,79 [0.031] | 0,79 [0.031] | 15,88 [0.625] | 12,70 [0.500] | no | assembled |
| RV6LAYS504A | 500 k | 10 | S | 0,79 [0.031] | 0,79 [0.031] | 15,88 [0.625] | 12,70 [0.500] | no | assembled |
| RV6LAYS505B | 5 M | 10 | S | 0,79 [0.031] | 0,79 [0.031] | 15,88 [0.625] | 12,70 [0.500] | no | unassembled |

Dimensional Drawing (For reference only: mm [in].)



RV6 Series Order Guides

Table RV6-F Order Guide

| Catalog Listing | Electrical | | | Dimensions | | | | RoHS Compliant | Mounting Hardware |
|-----------------|------------------|---------------------------|-------|------------------------|------------------------|--------------------------|----------------------------|----------------|-------------------|
| | Resistance (Ohm) | Resistance Tolerance (±%) | Taper | A Slot Depth (mm [in]) | B Slot Width (mm [in]) | C Shaft Length (mm [in]) | D Bushing Length (mm [in]) | | |
| RV6NAYSA103A | 10 k | 10 | S | 0,79 [0.031] | 0,79 [0.031] | 15,88 [0.625] | 6,25 [0.250] | no | unassembled |
| RV6NAYSA502A | 5 k | 10 | S | 0,79 [0.031] | 0,79 [0.031] | 15,88 [0.625] | 6,25 [0.250] | no | unassembled |
| RV6NAYSA503A | 50 k | 10 | S | 0,79 [0.031] | 0,79 [0.031] | 15,88 [0.625] | 6,25 [0.250] | no | unassembled |
| RV6NAYSB101A | 100 | 10 | S | 0,79 [0.031] | 0,79 [0.031] | 12,70 [0.500] | 6,25 [0.250] | no | unassembled |
| RV6NAYSB103A | 10 k | 10 | S | 0,79 [0.031] | 0,79 [0.031] | 12,70 [0.500] | 6,25 [0.250] | no | unassembled |
| RV6NAYSB502A | 5 k | 10 | S | 0,79 [0.031] | 0,79 [0.031] | 12,70 [0.500] | 6,25 [0.250] | no | unassembled |
| RV6NAYSD101A | 100 | 10 | S | 0,79 [0.031] | 0,79 [0.031] | 12,70 [0.500] | 6,25 [0.250] | no | assembled |
| RV6NAYSD102A | 1 k | 10 | S | 0,79 [0.031] | 0,79 [0.031] | 22,23 [0.875] | 6,25 [0.250] | no | assembled |
| RV6NAYSD103A | 10 k | 10 | S | 0,79 [0.031] | 0,79 [0.031] | 22,23 [0.875] | 6,25 [0.250] | no | assembled |
| RV6NAYSD104A | 100 k | 10 | S | 0,79 [0.031] | 0,79 [0.031] | 22,23 [0.875] | 6,25 [0.250] | no | assembled |
| RV6NAYSD105A | 1 M | 10 | S | 0,79 [0.031] | 0,79 [0.031] | 22,23 [0.875] | 6,25 [0.250] | no | assembled |
| RV6NAYSD251A | 250 | 10 | S | 0,79 [0.031] | 0,79 [0.031] | 22,23 [0.875] | 6,25 [0.250] | no | assembled |
| RV6NAYSD252A | 2.5 k | 10 | S | 0,79 [0.031] | 0,79 [0.031] | 22,23 [0.875] | 6,25 [0.250] | no | assembled |
| RV6NAYSD253A | 25 k | 10 | S | 0,79 [0.031] | 0,79 [0.031] | 22,23 [0.875] | 6,25 [0.250] | no | assembled |
| RV6NAYSD253A | 25 k | 10 | S | 0,79 [0.031] | 0,79 [0.031] | 22,23 [0.875] | 6,25 [0.250] | no | assembled |
| RV6NAYSD253A | 250 k | 10 | S | 0,79 [0.031] | 0,79 [0.031] | 22,23 [0.875] | 6,25 [0.250] | no | assembled |
| RV6NAYSD501A | 500 | 10 | S | 0,79 [0.031] | 0,79 [0.031] | 22,23 [0.875] | 6,25 [0.250] | no | assembled |
| RV6NAYSD502A | 5 k | 10 | S | 0,79 [0.031] | 0,79 [0.031] | 22,23 [0.875] | 6,25 [0.250] | no | assembled |
| RV6NAYSD502B | 5 k | 10 | S | 0,79 [0.031] | 0,79 [0.031] | 22,23 [0.875] | 6,25 [0.250] | no | unassembled |
| RV6NAYSD503A | 50 k | 10 | S | 0,79 [0.031] | 0,79 [0.031] | 22,23 [0.875] | 6,25 [0.250] | no | assembled |
| RV6NAYSD504A | 500 k | 10 | S | 0,79 [0.031] | 0,79 [0.031] | 22,23 [0.875] | 6,25 [0.250] | no | assembled |

(Continued on next page.)

RV6 Series Order Guides

Table RV6-F Order Guide (continued)

| Catalog Listing | Electrical | | | Dimensions | | | | RoHS Compliant | Mounting Hardware |
|-----------------|------------------|---------------------------|-------|------------------------|------------------------|--------------------------|----------------------------|----------------|-------------------|
| | Resistance (Ohm) | Resistance Tolerance (±%) | Taper | A Slot Depth (mm [in]) | B Slot Width (mm [in]) | C Shaft Length (mm [in]) | D Bushing Length (mm [in]) | | |
| RV6NAYSL103A | 10 k | 10 | S | 0,79 [0.031] | 0,79 [0.031] | 9,53 [0.375] | 6,25 [0.250] | no | assembled |
| RV6NAYSL104A | 100 k | 10 | S | 0,79 [0.031] | 0,79 [0.031] | 9,53 [0.375] | 6,25 [0.250] | no | assembled |
| RV6LAYSL504A | 500 k | 10 | S | 0,79 [0.031] | 0,79 [0.031] | 9,53 [0.375] | 6,25 [0.250] | no | assembled |
| RV6LAYSD101AP | 100 | 10 | S | 0,79 [0.031] | 0,79 [0.031] | 22,23 [0.875] | 6,25 [0.250] | no | assembled |

Dimensional Drawing (For reference only: mm [in].)

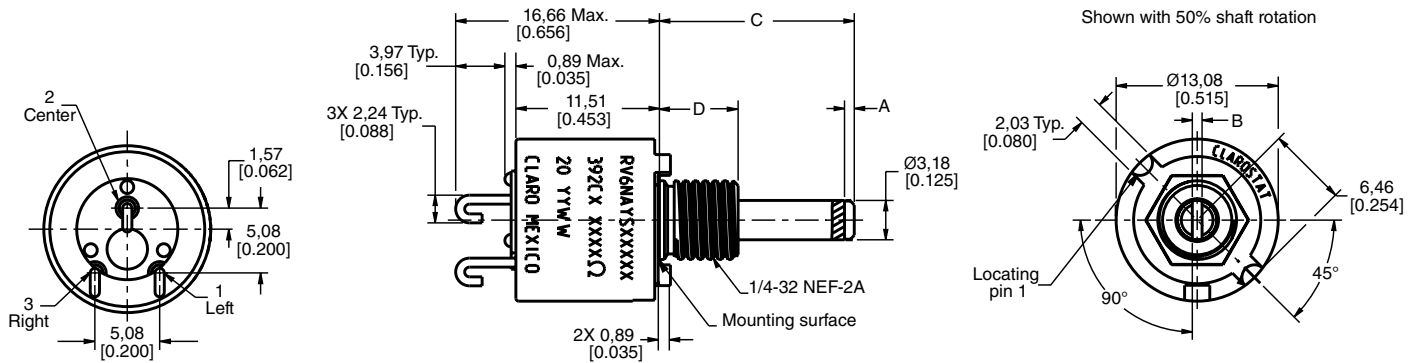


Table RV6-G Order Guide

| Catalog Listing | Electrical | | | Dimensions | | | | RoHS Compliant | Mounting Hardware |
|-----------------|------------------|---------------------------|-------|------------------------|------------------------|--------------------------|----------------------------|----------------|-------------------|
| | Resistance (Ohm) | Resistance Tolerance (±%) | Taper | A Slot Depth (mm [in]) | B Slot Width (mm [in]) | C Shaft Length (mm [in]) | D Bushing Length (mm [in]) | | |
| RV6SAYSA103C | 10 k | 10 | Z | 0,79 [0.031] | 0,79 [0.031] | 15,88 [0.625] | 6,35 [0.250] | no | assembled |
| RV6SAYSA104C | 100 k | 10 | Z | 0,79 [0.031] | 0,79 [0.031] | 15,88 [0.625] | 6,35 [0.250] | no | unassembled |
| RV6SAYSD102C | 1 k | 10 | Z | 0,79 [0.031] | 0,79 [0.031] | 22,23 [0.875] | 6,35 [0.250] | no | unassembled |
| RV6SAYSD102D | 1 k | 10 | Z | 0,79 [0.031] | 0,79 [0.031] | 22,23 [0.875] | 6,35 [0.250] | no | unassembled |
| RV6SAYSD502D | 5 k | 20 | Z | 0,79 [0.031] | 0,79 [0.031] | 22,23 [0.875] | 6,35 [0.250] | no | unassembled |

Dimensional Drawing (For reference only: mm [in].)

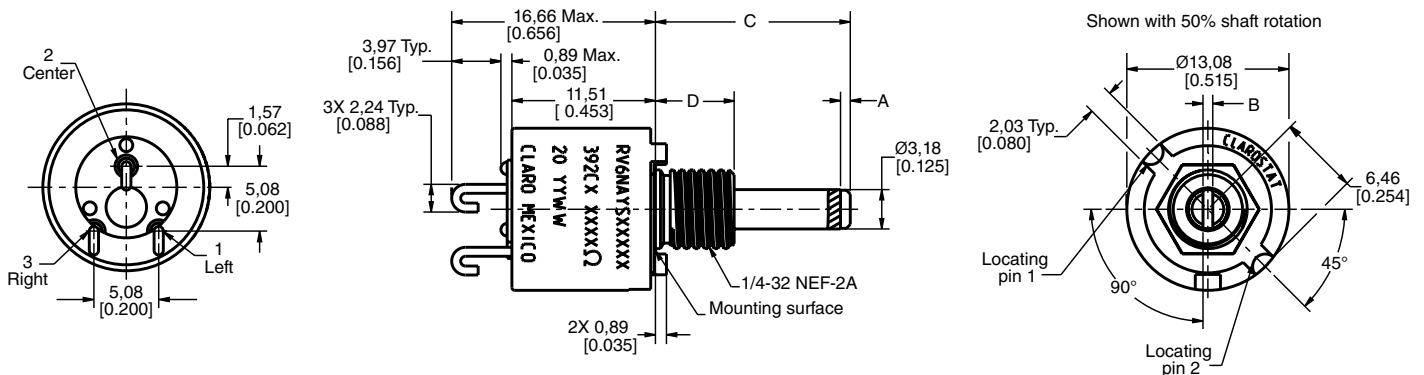
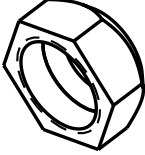

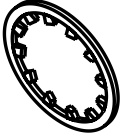



Figure 6. Mounting Hardware

| | | | |
|--|---|---|--|
| <p>Jam Nut 7,94 mm [5/16 in] across flats 3,97 mm [5/32 in] thick</p>  | <p>Mounting Nut 1/4 x 32 thread 7,94 mm [5/16 in] across flats</p>  | <p>Lock Washer 10,32 mm [5/16 in] outside diameter 0,64 mm [0.025 in] thick</p>  | <p>O-Ring</p>  |
|--|---|---|--|

▲ WARNING
PERSONAL INJURY

DO NOT USE these products as safety or emergency stop devices or in any other application where failure of the product could result in personal injury.

Failure to comply with these instructions could result in death or serious injury.

ADDITIONAL INFORMATION

The following associated literature is available at sensing.honeywell.com:

- Product Range Guide
- Product Line Guide
- Installation Instructions

Find out more

Honeywell serves its customers through a worldwide network of sales offices, representatives and distributors. For application assistance, current specifications, pricing or name of the nearest Authorized Distributor, contact your local sales office.

To learn more about Honeywell's sensing and control products, call **+1-815-235-6847** or **1-800-537-6945**, visit **sensing.honeywell.com**, or e-mail inquiries to **info.sc@honeywell.com**

Sensing and Control
Honeywell
1985 Douglas Drive North
Golden Valley, MN 55422
honeywell.com

▲ WARNING
MISUSE OF DOCUMENTATION

- The information presented in this product sheet is for reference only. Do not use this document as a product installation guide.
- Complete installation, operation, and maintenance information is provided in the instructions supplied with each product.

Failure to comply with these instructions could result in death or serious injury.

WARRANTY/REMEDY

Honeywell warrants goods of its manufacture as being free of defective materials and faulty workmanship. Honeywell's standard product warranty applies unless agreed to otherwise by Honeywell in writing; please refer to your order acknowledgement or consult your local sales office for specific warranty details. If warranted goods are returned to Honeywell during the period of coverage, Honeywell will repair or replace, at its option, without charge those items it finds defective. **The foregoing is buyer's sole remedy and is in lieu of all other warranties, expressed or implied, including those of merchantability and fitness for a particular purpose. In no event shall Honeywell be liable for consequential, special, or indirect damages.**

While we provide application assistance personally, through our literature and the Honeywell website, it is up to the customer to determine the suitability of the product in the application.

Specifications may change without notice. The information we supply is believed to be accurate and reliable as of this printing. However, we assume no responsibility for its use.

