

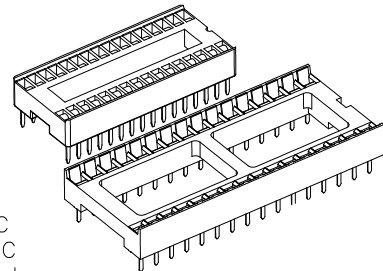
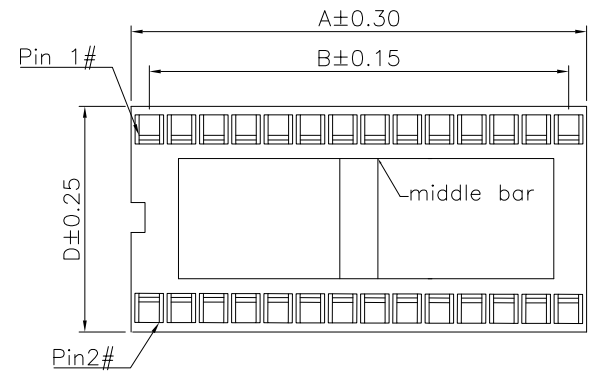
1

2

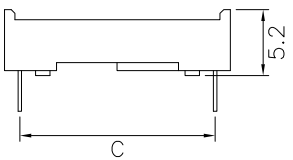
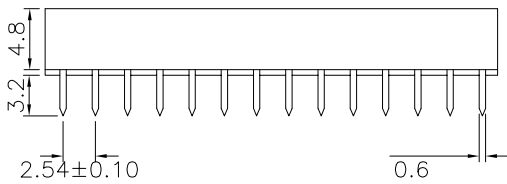
3

4

5



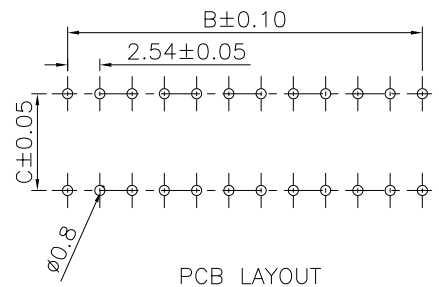
Specifications:  
 Current Rating:1.0A AC,DC  
 Voltage Rating:250V AC,DC  
 Contact Resistance:15m ohm max  
 Insulator Resistance:5000M ohm min  
 Dielectric Withstanding voltage:1000V AC/minute  
 Operating Temperature:-40°C to +105°C  
 Material:  
 Insulator:High Temp. Plastic (PBT UL 94V-0)  
 Standard Color:Black  
 Contacts:Phosphor Bronze  
 Finish:Tin Plated



Note1: W/O middle bar(6~20P)  
 With middle bar(22~40P)

Dimension:

Patr No.	Circuits	Dim.A	Dim.B	Dim.C	Dim.D	Patr No.	Circuits	Dim.A	Dim.B	Dim.C	Dim.D
243-06-1-03	06	7.62	5.08	7.62	10.16	243-22-1-04	22	27.94	25.40	10.16	12.70
243-08-1-03	08	10.16	7.62	7.62	10.16	243-24-1-06	24	30.48	27.94	15.24	17.78
243-14-1-03	14	17.78	15.24	7.62	10.16	243-28-1-06	28	35.56	33.02	15.24	17.78
243-16-1-03	16	20.32	17.78	7.62	10.16	243-32-1-06	32	40.64	38.10	15.24	17.78
243-18-1-03	18	22.86	20.32	7.62	10.16	243-40-1-06	40	50.80	48.26	15.24	17.78
243-20-1-03	20	25.40	22.86	7.62	10.16						



RoHS Compliant

				DRAWN: Jerry Chen	GENERAL TOLERANCE: .X=±0.20 .XX=±0.15	<h1 style="color: red; text-align: center;">CnC Tech</h1> <p style="text-align: center;">Industrial Cable and Connector Technology</p>		
				CHECKED:	UNIT: MM			DESCRIPTION: 2.54mm IC Socket Stamp Pin
				APPROVAL:	SCALE:1:1	PART NO: 243-XX-1-XX	A4	
REV	DATE	FILE	BY	Rory Chen	SHEET: 1 / 1			
					PROJECTION:			

