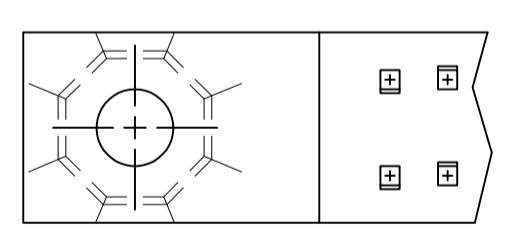
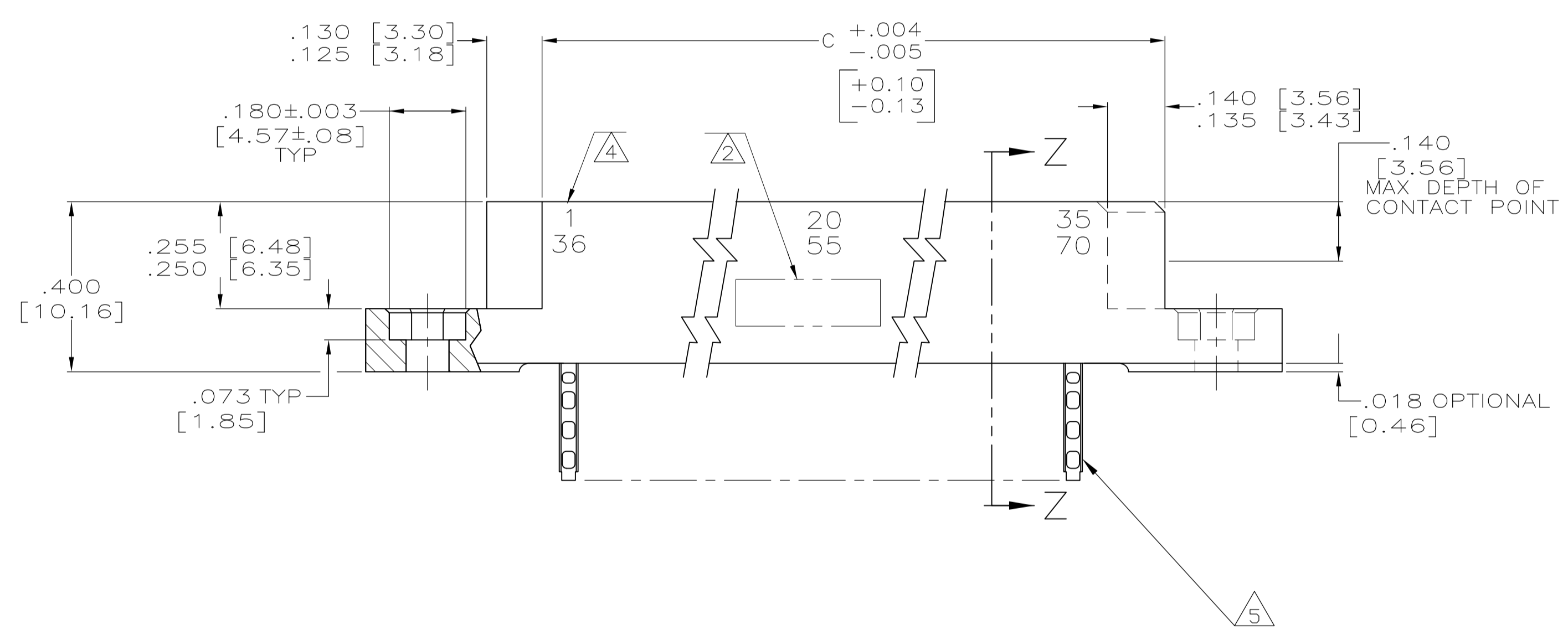
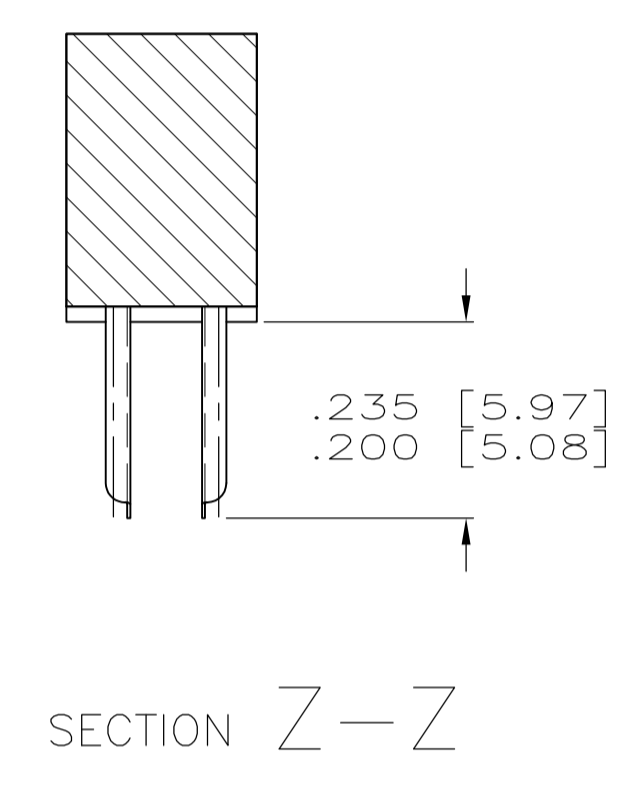
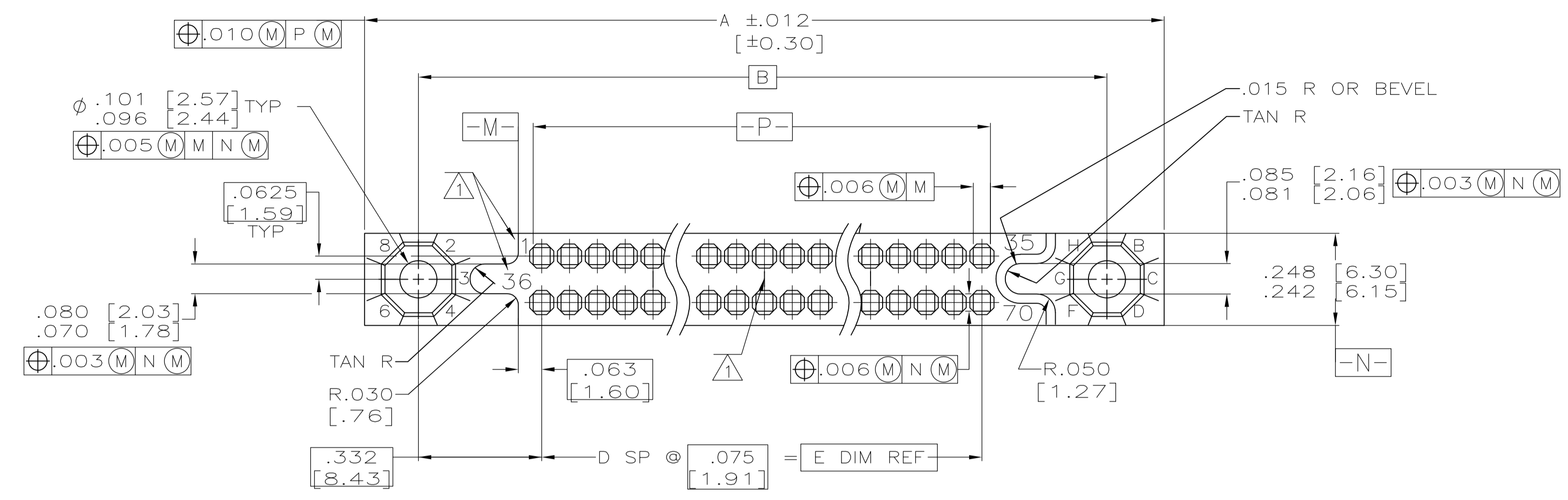


LOC		DIST		REVISIONS			
P	LTR	DESCRIPTION	DATE	DN	APVD	CT	RL
D	REV PER ECO	14-008136	5-30-14	CT	RL		



- ① NUMBERS (SEE TABLE) AND LINES INDICATING EVERY FIVE CAVITIES.
- ② CUSTOMER PART NO, 00779, DATE CODE, AMP PART NO, AND AMP IN AREA SHOWN
- 3. MUST MEET ALL APPLICABLE REQUIREMENTS OF MIL-C-55302 AND ITTA DRAWING 1138740
- ④ NUMBERS INDICATING EVERY FIVE CAVITIES MARKED ON SIDE.
- ⑤ CONTACT MATERIAL: BERYLLIUM COPPER (BeCu) OR COPPER NICKEL SILICONE (CuNiSi)
FINISH: .000050 MIN GOLD PER ASTM-B-488 OVER .000030 MIN NICKEL PER AMS-QQ-N-290 IN CONTACT AREA, 60/40 TIN-LEAD OVER NICKEL IN TAIL AREA PER SAE-AMS-P-81728

IDENTIFICATION MARKING	CONTACT IDENT NO	DIM E	DIM D	DIM C	DIM B	DIM A	NO OF CONTACTS	PART NO.
M55302/24-78	1-45 46-90	3.300 [83.82]	44	3.565 [90.55]	3.965 [100.71]	4.255 [108.08]	90	1-531129-2
M55302/24-86	1-55 56-110	4.050 [102.87]	54	4.315 [109.60]	4.715 [119.76]	5.005 [127.13]	110	1-531129-1
M55302/24-82	1-50 51-100	3.675 [93.35]	49	3.940 [100.08]	4.340 [110.24]	4.630 [117.60]	100	1-531129-0
M55302/24-74	1-40 41-80	2.925 [74.30]	39	3.190 [81.03]	3.590 [91.19]	3.880 [98.55]	80	531129-9
M55302/24-70	1-35 36-70	2.550 [64.77]	34	2.815 [71.50]	3.215 [81.66]	3.505 [89.03]	70	531129-8
M55302/24-66	1-30 31-60	2.175 [55.25]	29	2.440 [61.98]	2.840 [72.14]	3.130 [79.50]	60	531129-7
M55302/24-62	1-25 26-50	1.800 [45.72]	24	2.065 [52.45]	2.465 [62.61]	2.755 [69.98]	50	531129-6
M55302/24-58	1-20 21-40	1.425 [36.20]	19	1.690 [42.93]	2.090 [53.09]	2.380 [60.45]	40	531129-5
M55302/24-54	1-15 16-30	1.050 [26.67]	14	1.315 [33.40]	1.715 [43.56]	2.005 [50.93]	30	531129-4
M55302/24-50	1-10 11-20	.675 [17.15]	9	.940 [23.88]	1.340 [34.04]	1.630 [41.40]	20	531129-3
M55302/24-46	1-5 6-10	.300 [7.62]	4	.565 [14.35]	.965 [24.51]	1.255 [31.88]	10	531129-2
⑤	1-45 46-90	3.300 [83.82]	44	3.565 [90.55]	3.965 [100.71]	4.255 [108.08]	90	531129-1

THIS DRAWING IS A CONTROLLED DOCUMENT. **STE** TE Connectivity

DIMENSIONS: INCHES. TOLERANCES UNLESS OTHERWISE SPECIFIED:

0. PLC	± .0005
1. PLC	± .0005
2. PLC	± .0005
3. PLC	± .0005
4. PLC	± .0005
ANGLES	± .0005

MATERIAL: SEE NOTE 5. FINISH: -

APPROVED: N. DEIBERT, 22MAR07. NAME: RECEPTACLE ASSY, 750 SERIES BOX MILITARY, WITH EXTERNAL KEYING AND SOLDER EYELET CONTACTS

SIZE: A1. CAGE CODE: 00779. DRAWING NO: 531129. WEIGHT: -. RESTRICTED TO: -

CUSTOMER DRAWING. SCALE: 4:1. SHEET: 1 OF 1. REV: D.