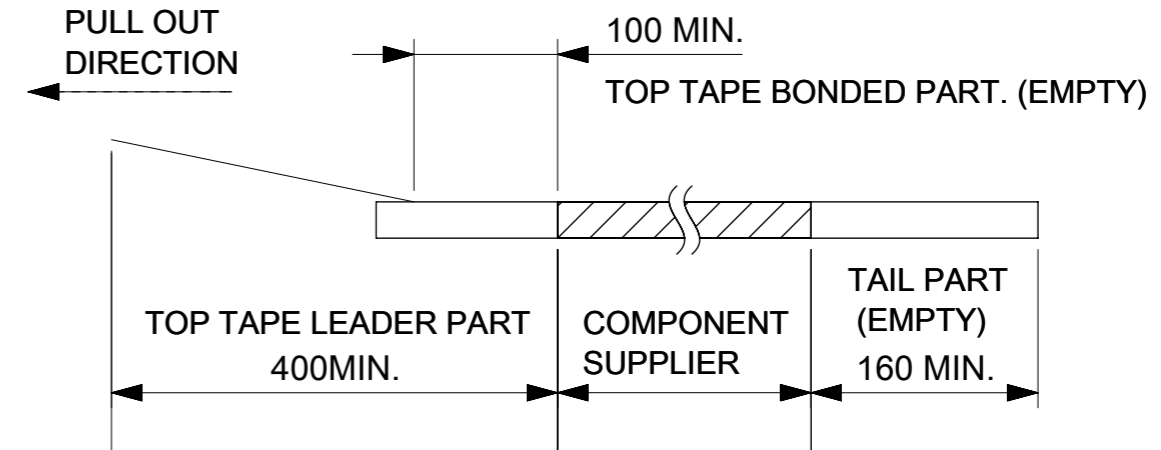
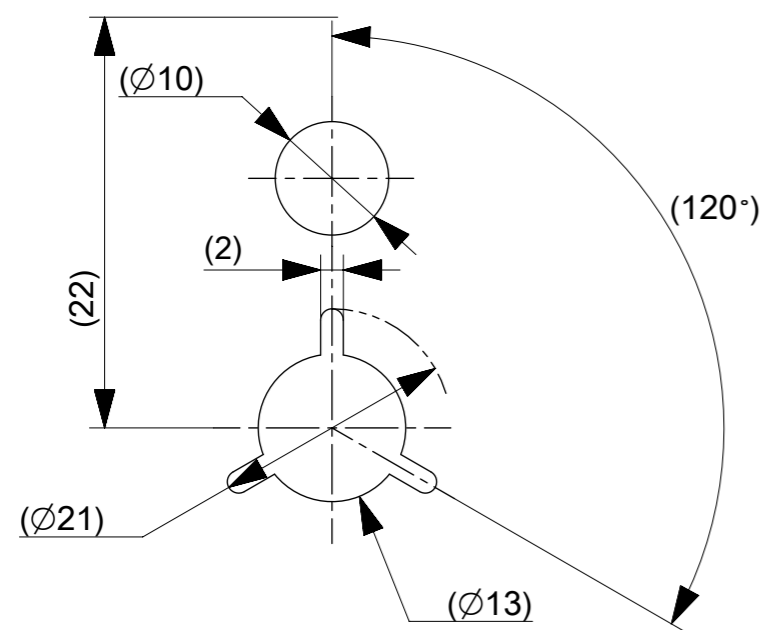


NOTES

- 1. RE DETAILED DIMENSION, SEE PRODUCT DRAWING.
- 2. NUMBER OF CONNECTORS : 20000PCS/REEL
- 3. LEAD TAPE LENGTH.

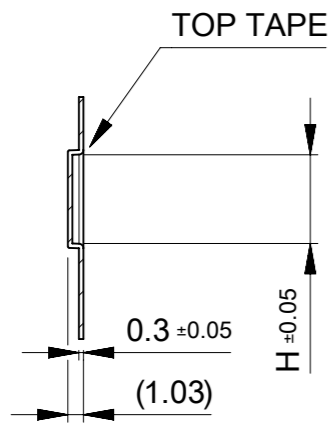


- 4. PEELING OFF FORCE OF THE TOP TAPE IS DEFINED BY IEC60286-3.
- 5. MATERIAL  
CARRIER TAPE : POLYSTYRENE OR PET  
TOP TAPE : PET , OTHER  
REEL : POLYSTYRENE (PS) < RECYCLE MATERIAL CONTAINED >
- 6. ELV AND RoHS COMPLIANT
- 7. CONFORM TO 2033899200-SPK\_PS200 FOR PACKAGING SPECIFICATION.
- 8. CONFORM TO 2033899200-SPK\_PS201 FOR PACKAGING SPECIFICATION.

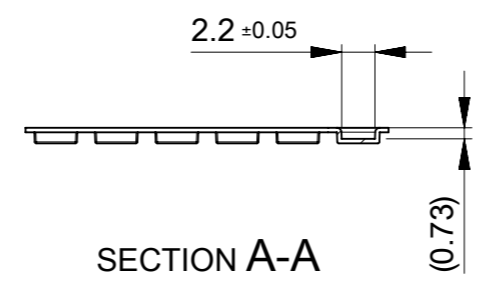
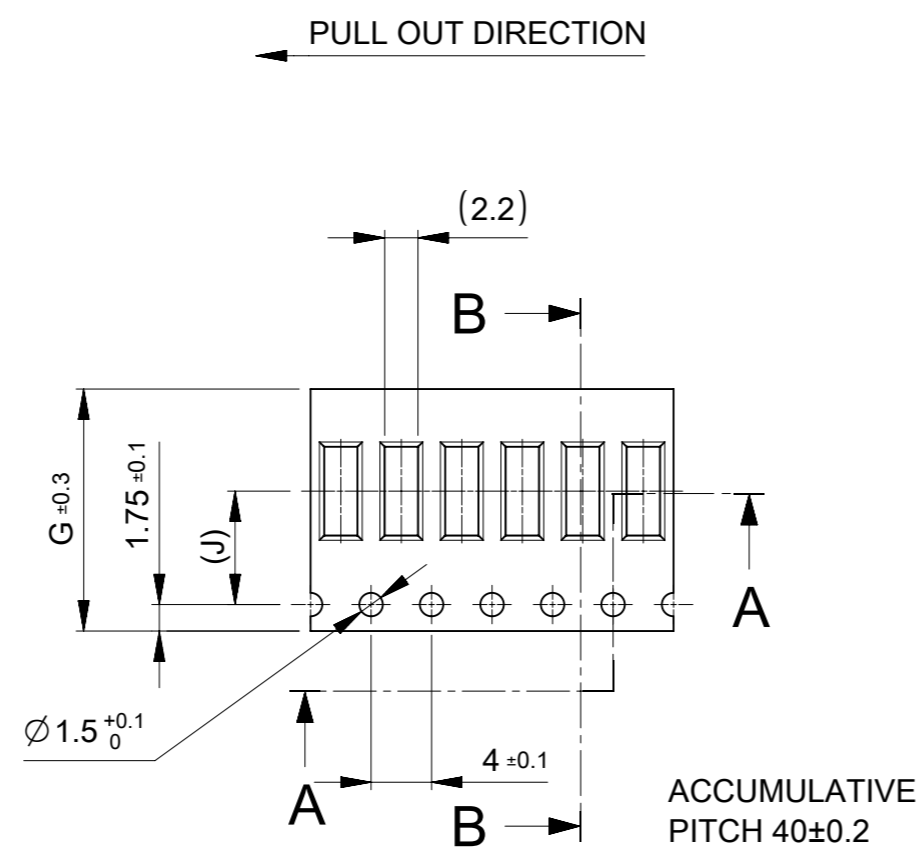


DETAIL "D"

THIS DRAWING CONTAINS INFORMATION THAT IS PROPRIETARY TO MOLEX ELECTRONIC TECHNOLOGIES, LLC AND SHOULD NOT BE USED WITHOUT WRITTEN PERMISSION									
DIMENSION UNITS	SCALE	CURRENT REV DESC:					<b>molex</b>		
mm	1:1								
GENERAL TOLERANCES (UNLESS SPECIFIED)							0.175BB H=0.6 QUADROW REC EMBS PACKAGE		
ANGULAR TOL	± 3.0 °						PRODUCT CUSTOMER DRAWING		
4 PLACES	± 0.03	EC NO: 725424				DOCUMENT NUMBER			
3 PLACES	± 0.03	DRWN: AISHII			2022/10/20	2033890000-SD			
2 PLACES	± 0.05	CHK'D: YKOBAYASHI02			2022/10/20	DOC TYPE	DOC PART	REVISION	
1 PLACE	± 0.1	APPR: KSASAKI			2022/10/21	PSD	000	E	
0 PLACES	± 0.2	INITIAL REVISION:							
DRAFT WHERE APPLICABLE MUST REMAIN WITHIN DIMENSIONS		DRWN: DGONDO			2020/06/25				
THIRD ANGLE PROJECTION		APPR: YKOBAYASHI02			2020/07/07				
DRAWING		SERIES		MATERIAL NUMBER		CUSTOMER		SHEET NUMBER	
A3-SIZE		203389		SEE CHART		GENERAL		1 OF 2	



SECTION B-B

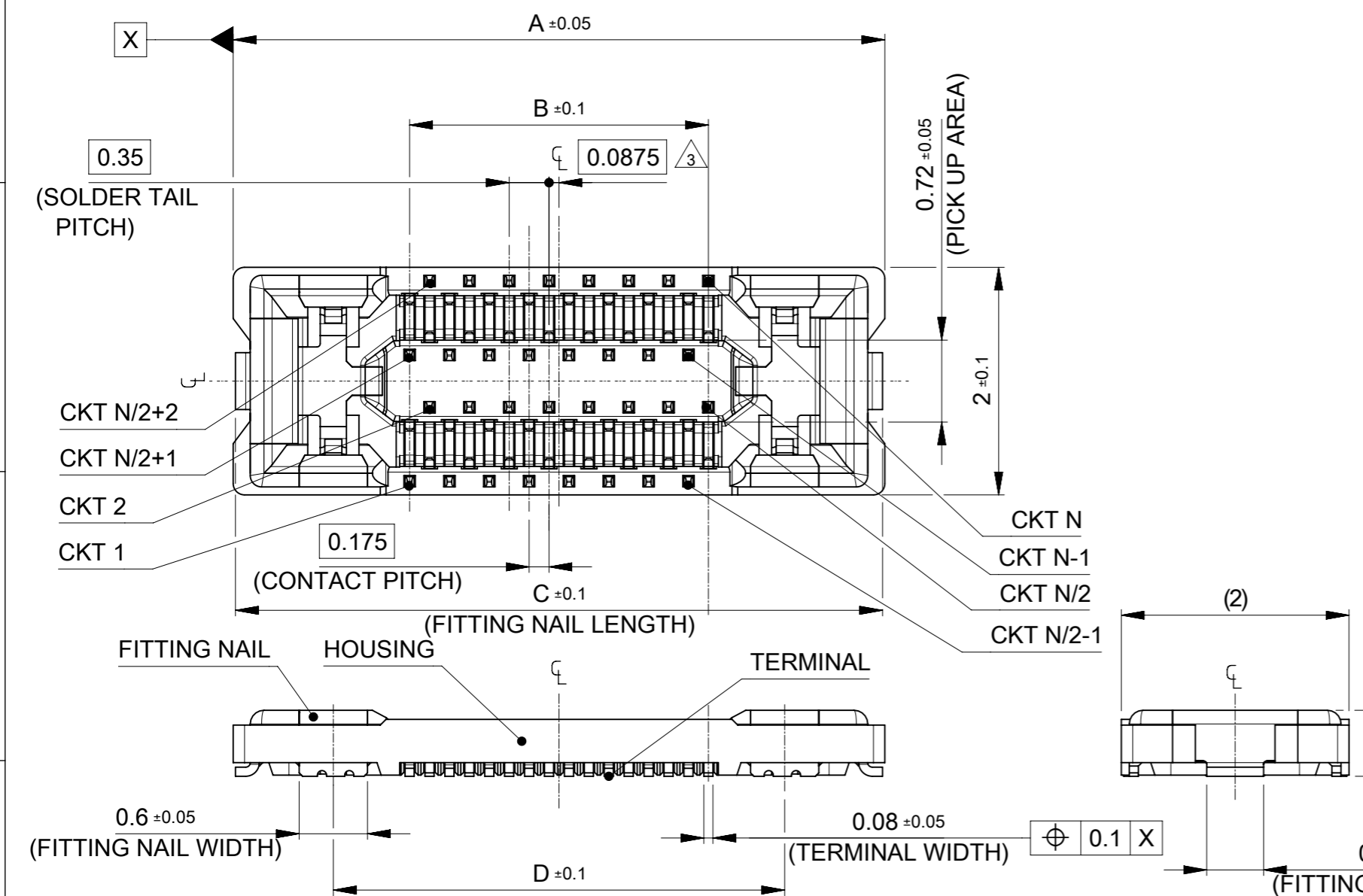


SECTION A-A

7.5	6.215	16	21.4	17.4	2033890363	2033890361	36
7.5	5.865	16	21.4	17.4	2033890323	2033890321	32
J	H	G	F	E	ORDER NO.	ORDER NO.	CIRCUIT
					PACKAGING SPEC: $\triangle_8$	PACKAGING SPEC: $\triangle_7$	

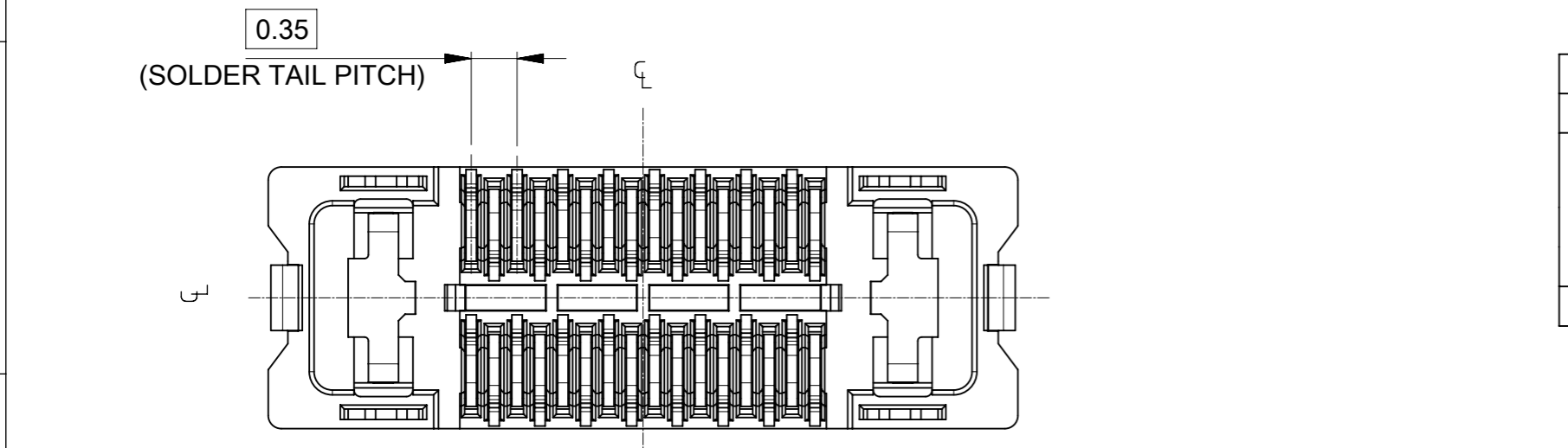
CONNECTOR SERIES No. 2033890\*\*\*

THIS DRAWING CONTAINS INFORMATION THAT IS PROPRIETARY TO MOLEX ELECTRONIC TECHNOLOGIES, LLC AND SHOULD NOT BE USED WITHOUT WRITTEN PERMISSION									
DIMENSION UNITS <b>mm</b>		SCALE <b>2:1</b>		CURRENT REV DESC:				<b>molex</b>	
GENERAL TOLERANCES (UNLESS SPECIFIED)				EC NO: 725424					
ANGULAR TOL ± 3.0 °				DRWN: AISHII 2022/10/20				0.175BB H=0.6 QUADROW REC EMBS PACKAGE	
4 PLACES ± 0.03				CHK'D: YKOBAYASHI02 2022/10/20				PRODUCT CUSTOMER DRAWING	
3 PLACES ± 0.03				APPR: KSASAKI 2022/10/21				DOCUMENT NUMBER	
2 PLACES ± 0.05				INITIAL REVISION:				2033890000-SD	
1 PLACE ± 0.1				DRWN: DGONDO 2020/06/25				PSD 000 E	
0 PLACES ± 0.2				APPR: YKOBAYASHI02 2020/07/07				DOC TYPE DOC PART REVISION	
DRAFT WHERE APPLICABLE MUST REMAIN WITHIN DIMENSIONS		THIRD ANGLE PROJECTION		DRAWING		SERIES		MATERIAL NUMBER	
				A3-SIZE		203389		SEE CHART	
						CUSTOMER		SHEET NUMBER	
						GENERAL		2 OF 2	



NOTES

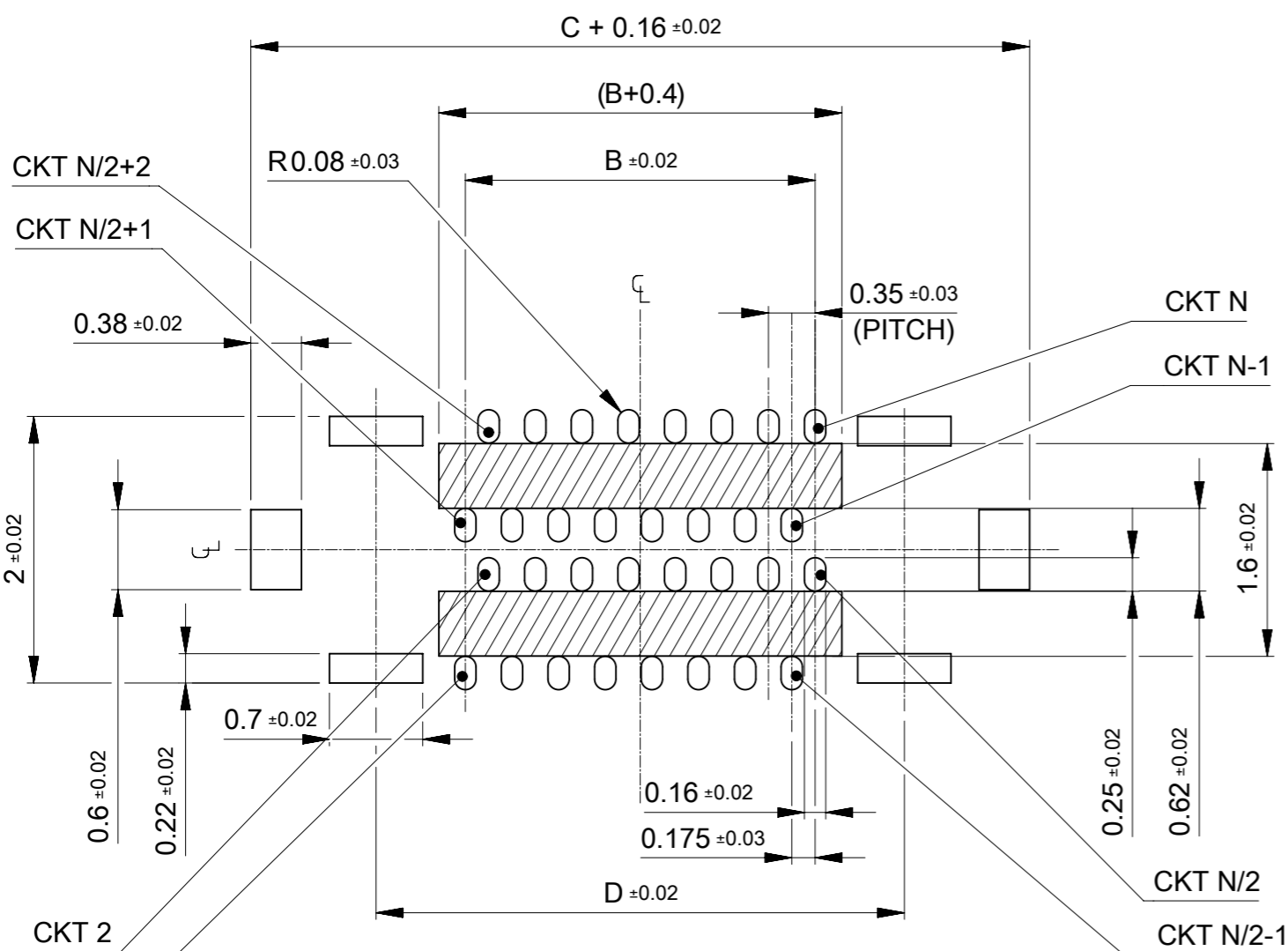
- MATERIAL  
 HOUSING : LIQUID CRYSTAL POLYMER UL94V-0(COLOR : BLACK)  
 TERMINAL : COPPER ALLOY  
 FITTING NAIL : COPPER ALLOY
  - PLATING  
 TERMINAL  
 CONTACT AREA : GOLD 0.1 μm MIN.  
 TAIL AREA : GOLD 0.05 μm MIN.  
 UNDER PLATING : NICKEL 1.0 μm MIN.  
 \*DIVIDE INTO PARTS THE GOLD PLATING OF CONTACT AND THE TAIL PART BY THE NICKEL PLATING.  
 \*EITHER GOLD OR NICKEL PLATING IS ACCEPTABLE IN THE AREA WHICH IS NOT SPECIFIED AS CONTACT , TAIL OR NICKEL BARRIER.  
 FITTING NAIL  
 CONTACT AREA : GOLD 0.1 μm MIN.  
 TAIL AREA : GOLD 0.05 μm MIN.  
 UNDER PLATING : NICKEL 1.0 μm MIN.  
 \*DIVIDE INTO PARTS THE GOLD PLATING OF CONTACT AND THE TAIL PART BY THE NICKEL PLATING.  
 \*EITHER GOLD OR NICKEL PLATING IS ACCEPTABLE IN THE AREA WHICH IS NOT SPECIFIED AS CONTACT , TAIL OR NICKEL BARRIER.
- △3 APPLY FOR (CIRCUIT/4)=EVEN  
 4. MATE WITH : 2033900\*\*1, 2033900\*\*3  
 5. TAIL AND FITTING NAIL COPLANARITY TO BE 0.08mm MAXIMUM.  
 △6 CONFORM TO 2033899200-SPK\_PS200 FOR PACKAGING SPECIFICATION.  
 △7 CONFORM TO 2033899200-SPK\_PS201 FOR PACKAGING SPECIFICATION.



4.315	6.035	2.975	6.075	2033890363	2033890361	36
3.965	5.685	2.625	5.725	2033890323	2033890321	32
D	C	B	A	EMBOSSED TAPE PACKAGE	EMBOSSED TAPE PACKAGE	CIRCUIT
				ORDER No.	ORDER No.	
				PACKAGING SPEC: △7	PACKAGING SPEC: △6	

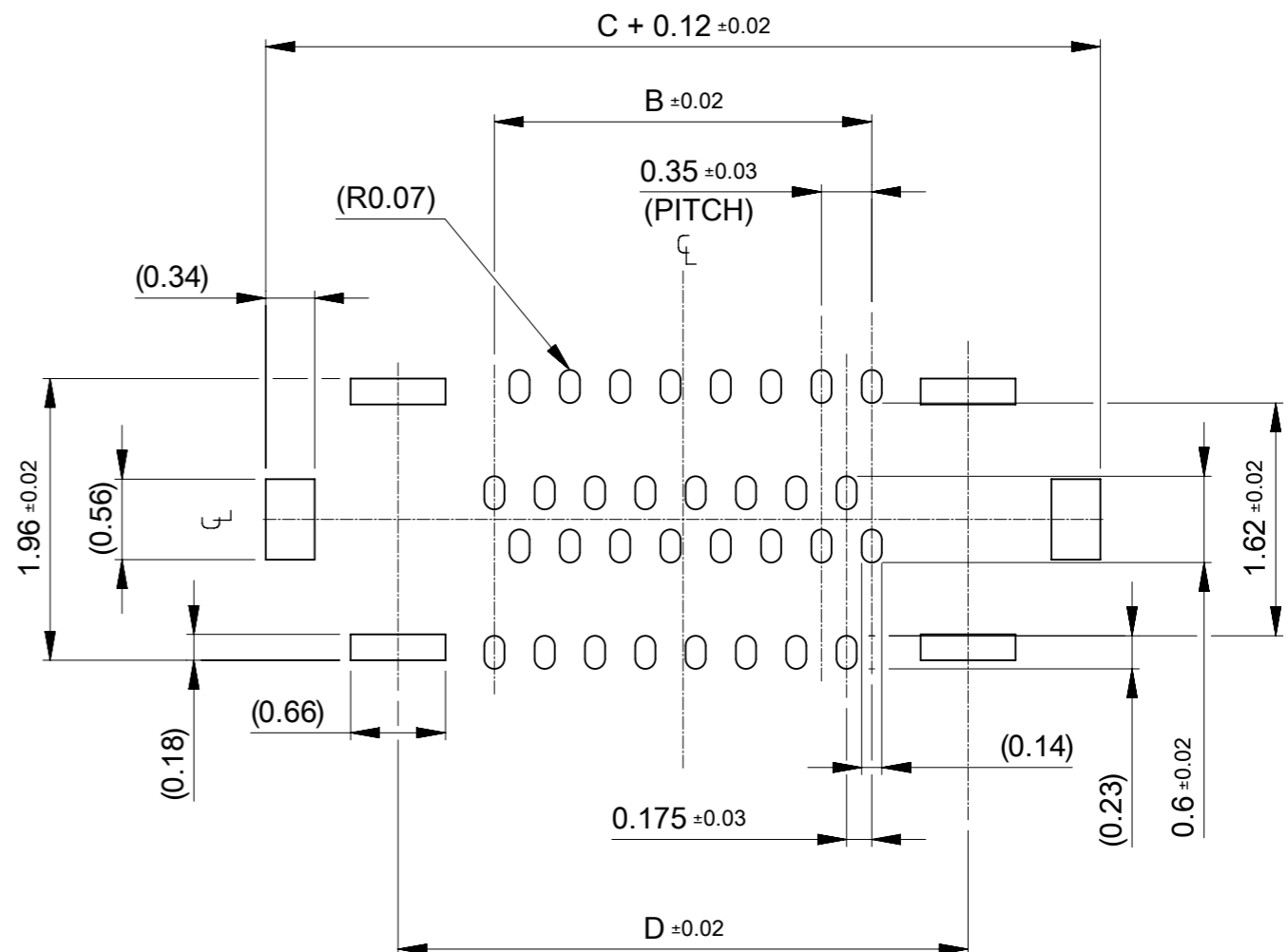
CONNECTOR SERIES No. : 2033891\*\*1

THIS DRAWING CONTAINS INFORMATION THAT IS PROPRIETARY TO MOLEX ELECTRONIC TECHNOLOGIES, LLC AND SHOULD NOT BE USED WITHOUT WRITTEN PERMISSION		CURRENT REV DESC:		<b>molex</b>	
DIMENSION UNITS	SCALE				
mm	20:1			0.175 BB H=0.6 QUAD ROW REC ASSY	
GENERAL TOLERANCES (UNLESS SPECIFIED)				PRODUCT CUSTOMER DRAWING	
ANGULAR TOL	± 3.0 °			DOCUMENT NUMBER	
4 PLACES	± 0.03	EC NO: 725424	2022/10/20	2033891000-SD	
3 PLACES	± 0.03	DRWN: AISHII	2022/10/20	DOC TYPE	DOC PART
2 PLACES	± 0.05	CHK'D: YKOBAYASHI02	2022/10/21	PSD	000
1 PLACE	± 0.1	APPR: KSASAKI	2022/10/21	REVISION	E
0 PLACES	± 0.2	INITIAL REVISION:			
DRAFT WHERE APPLICABLE MUST REMAIN WITHIN DIMENSIONS		DRWN: DGONDO	2020/06/25		
THIRD ANGLE PROJECTION		APPR: YKOBAYASHI02	2020/07/07		
DRAWING		SERIES	MATERIAL NUMBER	CUSTOMER	
A3-SIZE		203389	SEE CHART	GENERAL	
				SHEET NUMBER	
				1 OF 2	



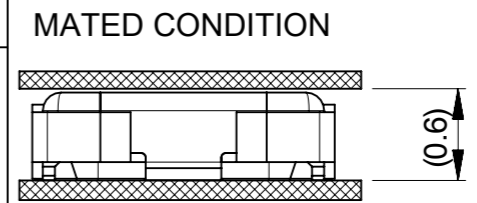
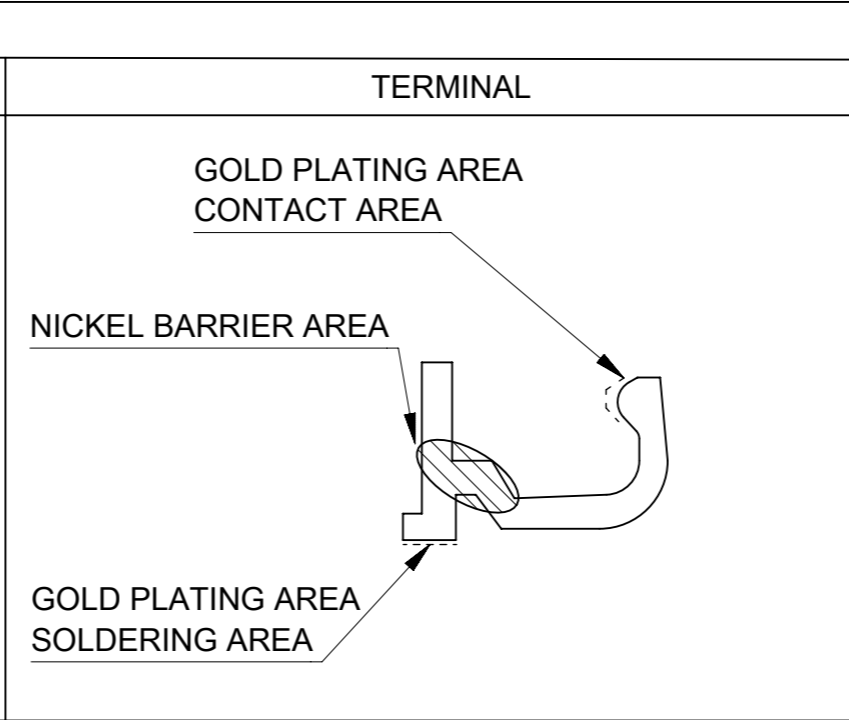
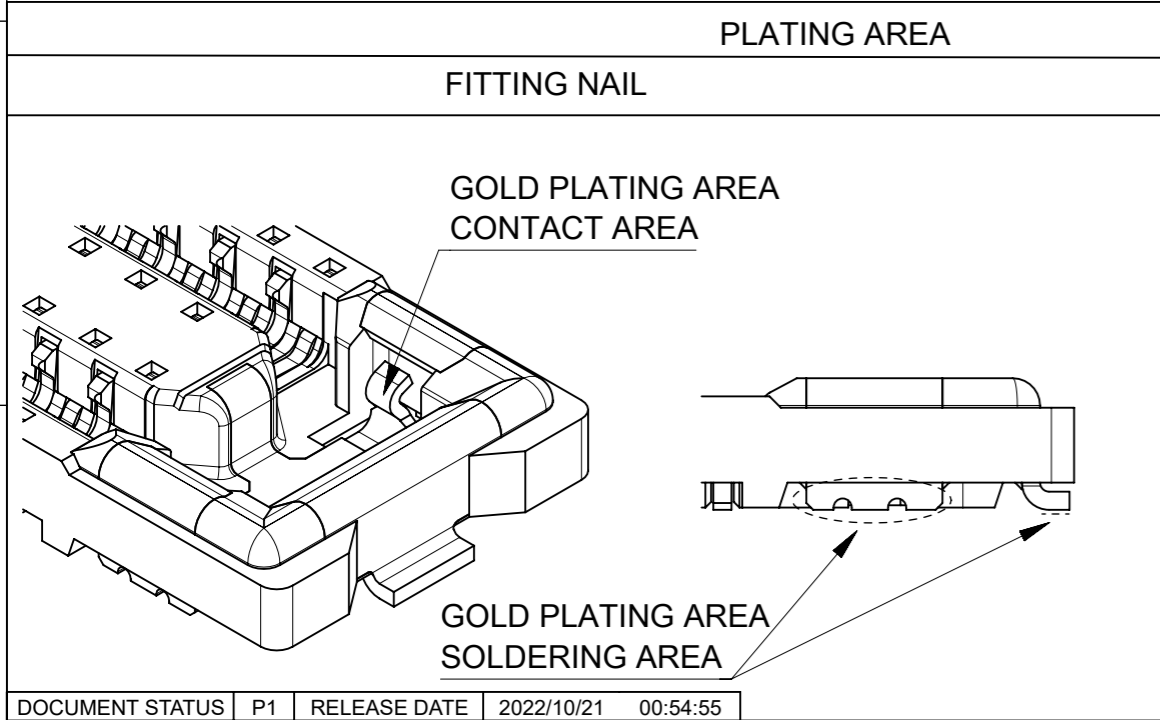
RECOMMENDED P.W. BOARD PATTERN LAYOUT (REFERENCE)  
(SM OPENING DIMENSION)

SOLDERING PROHIBITED AREA  
WHEN WIRING IS LOCATED,  
THE WIRING MUST BE MASKED BY COVER LAY OR RESIST FILM.



RECOMMENDED METAL MASK LAYOUT (REFERENCE)

RECOMMENDED THICKNESS OF METAL MASK : t=0.08mm  
RECOMMENDED OPEN APERTURE RATIO OF METAL MASK : 80%



THIS DRAWING CONTAINS INFORMATION THAT IS PROPRIETARY TO MOLEX ELECTRONIC TECHNOLOGIES, LLC AND SHOULD NOT BE USED WITHOUT WRITTEN PERMISSION		CURRENT REV DESC:		<b>molex</b>		
DIMENSION UNITS	SCALE					
mm	20:1			0.175 BB H=0.6 QUAD ROW REC ASSY		
GENERAL TOLERANCES (UNLESS SPECIFIED)		EC NO: 725424		2022/10/20		
ANGULAR TOL ± 3.0°		DRWN: AISHII		2022/10/20		
4 PLACES ± 0.03		CHK'D: YKOBAYASHI02		2020/07/07		
3 PLACES ± 0.03		APPR: KSASAKI		2022/10/21		
2 PLACES ± 0.05		INITIAL REVISION:		DOCUMENT NUMBER		
1 PLACE ± 0.1		DRWN: DGONDO		2033891000-SD		
0 PLACES ± 0.2		APPR: YKOBAYASHI02		PSD 000 E		
DRAFT WHERE APPLICABLE MUST REMAIN WITHIN DIMENSIONS		THIRD ANGLE PROJECTION	DRAWING	SERIES	MATERIAL NUMBER	CUSTOMER
			A3-SIZE	203389	SEE CHART	GENERAL
DOCUMENT STATUS		P1	RELEASE DATE	2022/10/21	00:54:55	SHEET NUMBER
						2 OF 2