

## Data sheet

### E-DAT Industry IP67 V4 2 port metal surface mount housing

Page 1/6

P/N

1401040620ME

EAN 4250184116417

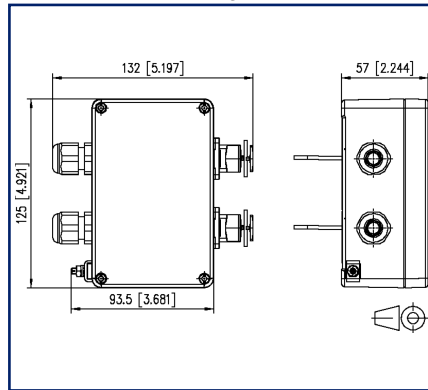
2022/10/11

Version: N

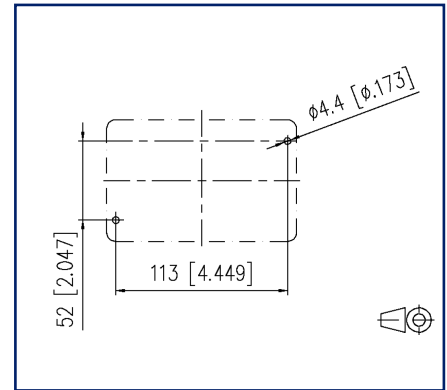
#### Illustrations



Dimensional drawing



Drill pattern



See enlarged drawings at the end of document

#### Product specification

- IP67 wall outlets for flexible connection of networks in industrial areas
- 2 ports completely with flange covers and cable glands
- with the output directions pointing straight downwards (with cable feed from above) or output direction to right (with cable feed from above)
- plastic flange with push-pull locking to ISO/IEC 24702 and IEC 61076-3-106 standards, var. 4
- unequipped, without inserts
- for wall and floor mounting
- aluminum housing made of AL-Si 12
- solid powder coating in RAL 7001
- dimensions, 2 ports: 124 x 78 x 57 mm (without flanges and cable glands)
- matching inserts: E-DAT Industry RJ45 field jack insert (T568A, T568B or Profinet), E-DAT Industry RJ45 coupler insert, E-DAT Industry USB coupler insert, OpDAT Industry SC-RJ/2SC coupler insert or OpDAT Industry LC-D coupler insert

## E-DAT Industry IP67 V4 2 port metal surface mount housing

P/N  
1401040620ME  
EAN 4250184116417  
2022/10/11  
Version: N

### Technical Data

#### General Data

Fields of application	harsh environment
Mechanical measurement according to MICE	M1
Ingress measurement according to MICE	I1
Climatic measurement according to MICE	C1
Electromagnetic measurement according to MICE	E3
Design	wall outlet
Color	gray
Dimensions	
Dimension (L x W x H)	132 mm x 125 mm x 57 mm
Dimension (L x W x H)	5.197 in. x 4.921 in. x 2.244 in.
Labeling option	on housing

#### Connections/interfaces

Number of ports interface 1	2
Number of ports interface 2	2
Number of equipped ports interface 1	0
Number of ports interface 2 equipped	0
Protective housing interface 1	V4
Protective housing interface 2	V4
Cable sheath diameter (min. - max.)	
Cable sheath diameter	5 mm - 10.00
Cable sheath diameter	0.197 in. - 0.394
Module plug-in direction	straight
Cable access/outlet	180°

#### Materials and material properties

Material - Housing	Al (Aluminium)
Material - Protective housing	PA UL94 V0
Material - Housing seal	CR (chloroprene rubber)
Material - Protective housing seal	NBR (nitrile butadiene rubber)
Material - Moulded seal	EPDM (ethylene-propylene-diene)
Material - Cable glands seal	TPE
Material - Cable gland	PA (polyamide)

### Technical Data

#### Materials and material properties

Material - Housing screw(s)	stainless steel
Material - Protective housing screw(s)	steel
Material - Protective housing screw(s) finish	Zn (zinc)
Material - Grounding screw and washer in the housing	steel
Material - Grounding screw and washer in the housing, finish	Zn (zinc)
Material - Ground connection	stainless steel
Material - Protective cap	PA UL94 V0
RoHS	compliant

#### Environmental conditions

Temperature (min. - max.)	
Temperature - Storage °C	-40 °C - 70 °C
Temperature - Storage °F	-40 °F - 158 °F
Temperature - Operating °C	-40 °C - 70 °C
Temperature - Operating °F	-40 °F - 158 °F
Particulate ingress	IP6X
Liquid ingress/immersion	IPX7
Rapid change of temperature	-40°C / -40°F - +70°C / 158°F / 25 cycles t=30 min
Damp heat	+25°C / +77°F / +65°C / +149°F / 93% RH // -10°C / -14°F 21 cycles
Salt spray fog test (NSS Test)	35 °C / 95 °F / 4 days, 5% NaCL
General information	This product is suitable for use in industrial environments inside buildings with IPxy protection class according to DIN EN 60529 specified in this data sheet. Not specified for outdoor applications.

#### Standards/Regulations

UL standard for Communications-Circuit Accessories	UL 1863 / UL 50
Degrees of Protection Provided by Enclosures	IEC 60529
Connectors for electronic equipment	
Rectangular connectors	DIN EN 61076-3-106

# P | Cabling

Data sheet

Page 4/6

## E-DAT Industry IP67 V4 2 port metal surface mount housing

P/N

1401040620ME

EAN 4250184116417

2022/10/11

Version: N

### Technical Data

#### Classifications

ETIM 5.0	EC002597
ETIM 6.0	EC002597
ETIM 7.0	EC002597
ETIM 8.0	EC002597

#### Packing details

Type of packaging	1 pc(s) / box
Packaging unit - Weight (gram)	600 g
Packaging unit - Weight (pound)	1.32 lb
Packaging dimension	230 mm x 125 mm x 95 mm
Packaging dimension	9.055 in. x 4.921 in. x 3.74 in.



**E-DAT Industry IP67 V4 2 port metal surface mount housing**

P/N

1401040620ME

EAN 4250184116417

2022/10/11

Version: N

**Accessories**

P/N	Designation
1401100810MI	E-DAT Industry RJ45 field jack insert Cat.6 Class E <sub>A</sub> , T568A
1401200810MI	E-DAT Industry RJ45 coupler insert Cat.6 Class E
1401800810MI	E-DAT Industry RJ45 field jack insert Cat.6 Class E <sub>A</sub> , T568B
1401900810MI	E-DAT Industry RJ45 field jack insert Cat.6 Class E <sub>A</sub> , PROFINET
1401U00812KI	E-DAT Industry USB A 2.0 adapter insert
1401U10812KI	E-DAT Industry USB A 3.0 adapter insert
1402100820MI	OpDAT Industry SC-RJ/2SC MM adapter insert
1402300820MI	OpDAT Industry LC-D MM adapter insert
1402K00820MI	OpDAT Industry SC-RJ/2SC SM adapter insert
1402L00820MI	OpDAT Industry LC-D SM adapter insert

# P | Cabling

Data sheet

Page 6/6

## E-DAT Industry IP67 V4 2 port metal surface mount housing

P/N

1401040620ME

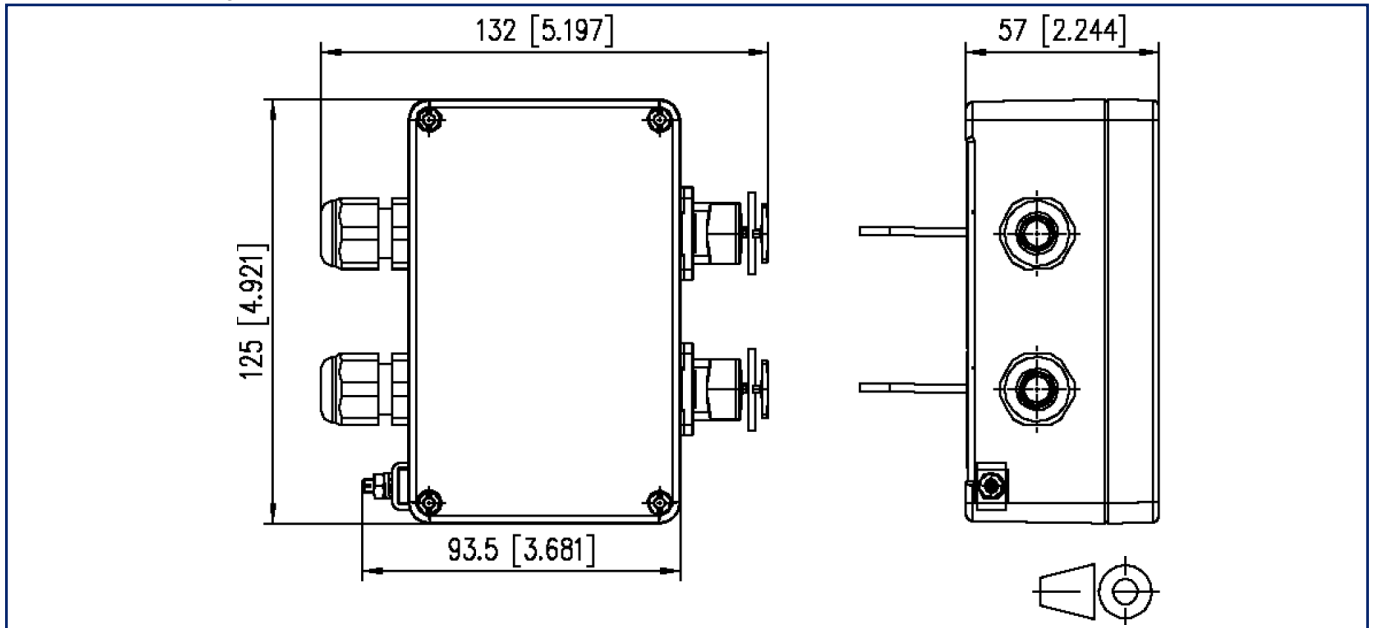
EAN 4250184116417

2022/10/11

Version: N

### Illustrations

Dimensional drawing



Drill pattern

