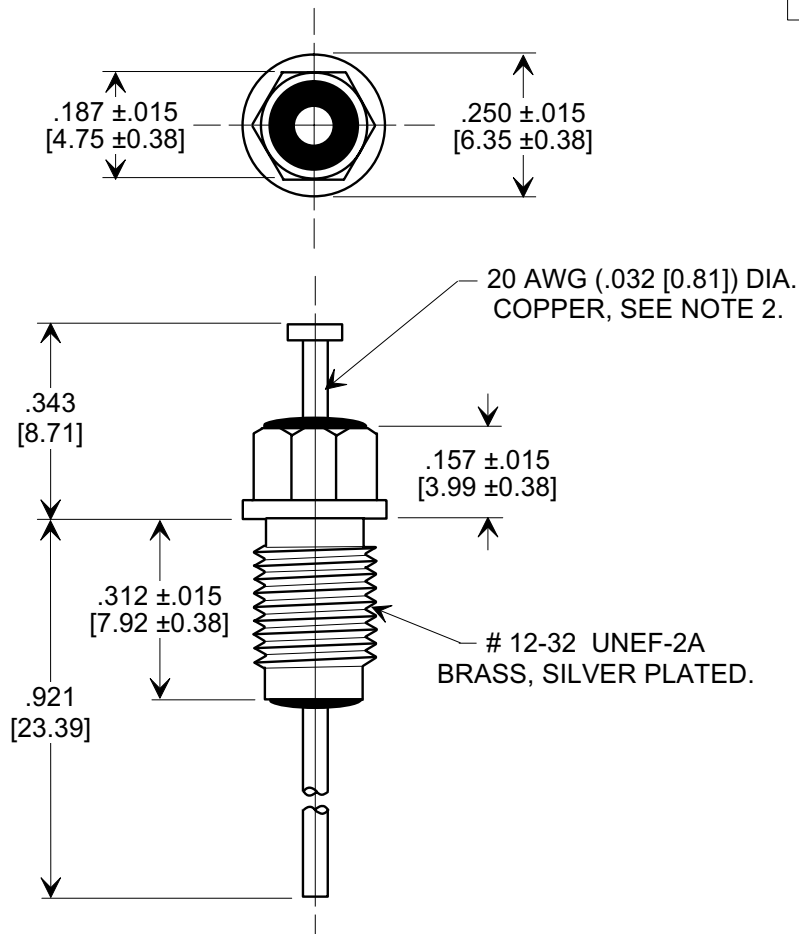
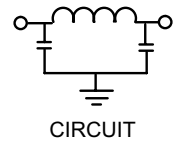
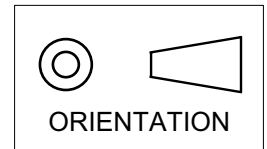


**MARKETING SALES DRAWING**  
**DIMENSIONS IN INCHES - DO NOT SCALE THIS DRAWING**  
**DIMENSIONS IN METRIC - [ ]**

Electrical Testing  
per Tusonix standard  
test plans and Mil-Std-202  
Test Methods.



**NOTES:**

- TUSONIX STANDARD PART NUMBER: 4203-003.  
TUSONIX RoHS COMPLIANT PART NUMBER: 4203-003 LF.  
CUSTOMER MUST SPECIFY STANDARD OR RoHS PART NUMBER WHEN ORDERING.
- LEAD FINISH: STANDARD PART #: 60/40 SOLDER PLATED COPPER. RoHS PART #: SILVER PLATED COPPER.
- PART MARKING: TRADEMARK AND VARIATION NUMBER ON HEX FLATS.  
STANDARD PART: BLACK INK. RoHS PART: GREEN INK.
- SUPPLIED WITH SILVER PLATED COPPER ALLOY HEX NUT AND INTERNAL TOOTH LOCK WASHER.

MIN. CAP. (pF)	WORKING VOLTAGE (VVdc)		CURRENT IDC	I.R. MIN. @ 100 (VDC)	DWV (VDC)	MINIMUM NO LOAD INSERTION LOSS (dB) AT 25°C PER MIL-STD -220			
	85°C	125 °C				10 MHz	100 MHz	1 GHz	10 GHz
1500	350	200	10A	10 G Ω	700	5	45	70	70

<b>REVISION RECORD</b> Original Release C.O. <b>2898</b> RDN TO COMP FMT, ADDED METRIC. S.M. 05-22-02 <b>20020522-6-04</b> ADDED NOTES, IR & DWV. S.M. 11-14-05 <b>20051026-5-04</b>	<b>0</b>	<b>TOLERANCES</b> unless otherwise specified 2 PLC. DECIMAL ± $\frac{\quad}{\quad}$ 3 PLC. DECIMAL ± .031 [0.79]	Title <b>BUSHING STYLE EMI FILTER</b>	
	<b>1</b>			
	<b>2</b>	<b>TUSONIX</b> TUCSON, ARIZONA	Approved J.Mc. 05-22-02	
		<b>A</b>	<b>4203-003</b>	

X-2015 Rev-0