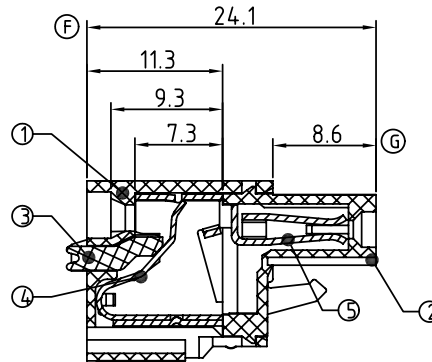
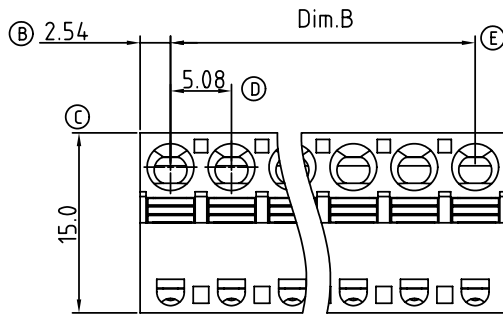


2P mark



SIGN	DATE	DESCRIPTION	APPROVER
△	02/08'07	Part No. is changed.	Aaron
△	06/10'09	The wire strip length changed from 6~7mm to 7~8mm.	Kind
△	06/10'09	The Operating tem. changed from -30°C~105°C to -40°C~115°C	Kind
△	06/10'09	Add the toleration table.	Kind
△	11/21'09	The normal grey No. changed from RAL7004/P to RAL7035/D	Kind
△	03/13'10	Add the 2P mark and Wire strip length is changed	RUNNER

THIS IS CAD DRAWING, DO NOT REVISE MANUALLY!!!

Material

- Item 1 Terminal body:Thermoplastic (UL94V-0)
- Item 2 Terminal body:Thermoplastic (UL94V-0)
- Item 3 Terminal lever:Thermoplastic (UL94V-0)
- Item 4 Wire guard:Stainless Steel
- Item 5 Female contact :PhBz (CuSn) Tin plated

Electrical cULus

- Voltage rating: 300V
- Current rating: 10A
- Solid wire(AWG):12-26
- Stranded wire(AWG):12-26
- Wire strip length:8-9mm
- Withstanding Voltage:1.6KV
- Operating temperature:-40°C to +115°C
- Safety Approval:



PART NO.

HW xx 50 x 0 xxxx G △

Poles
02 2 CONTACTS
03 3 CONTACTS
... ..
24 24 CONTACTS

Color
0 Black
5 Green
(RAL 6018/T)
6 Blue
△ 8 Grey
(RAL 7035/D)

RoHS
Pb<40,000ppm
0000 Standard @ Logo
000A Standard ANY Logo
Any special item by customer request,
please contact sales department.

POLE		2	3	4	5	6	7	8	9	10	11	12	
A		10.16	15.24	20.32	25.40	30.48	35.56	40.64	45.72	50.80	55.88	60.96	
B		5.08	10.16	15.24	20.32	25.40	30.48	35.56	40.64	45.72	50.80	55.88	
Tol.		±0.15					±0.25						
POLE		13	14	15	16	17	18	19	20	21	22	23	24
A		66.04	71.12	76.20	81.28	86.36	91.44	96.52	101.60	106.68	111.76	116.84	121.92
B		60.96	66.04	71.12	76.20	81.28	86.36	91.44	96.52	101.60	106.68	111.76	116.84
Tol.		±0.30					±0.40						

ANYTEK

CUSTOMER COPY

ALL RIGHTS RESERVED. REPRODUCTION OR ISSUE TO THIRD PARTIES IN ANY FORM WHATSOEVER IS NOT PERMITTED WITHOUT WRITTEN AUTHORITY FROM THE PROPRIETOR. PROPERTY OF ANYTEK TECHNOLOGY CO., LTD

TITLE	HW-5.08 Series Contact on down side												
PART NO.	HWxx50x0xxxxG						DWG NO.	8HW0001					
APPROVED	CHECKED	DESIGNED	DRAWN	CUST NO.				Tolerance					
		Runner 2010.04.06	Kind 2009.06.30					UNIT: mm		X. ±0.50			
				SHEET: 01/01				SCALE: NONE		X.X ±0.30			
								REV.: F		X.XX ±0.10			
										X° ±1°			