

N = Number of poles  
 Dim.A=Nx5.08  
 Dim.B=(N-1)x5.08

	Dim A	Dim B
2-6p	±0.15	±0.15
7-12p	±0.25	±0.25
13-18p	±0.30	±0.30
19-24p	±0.40	±0.40

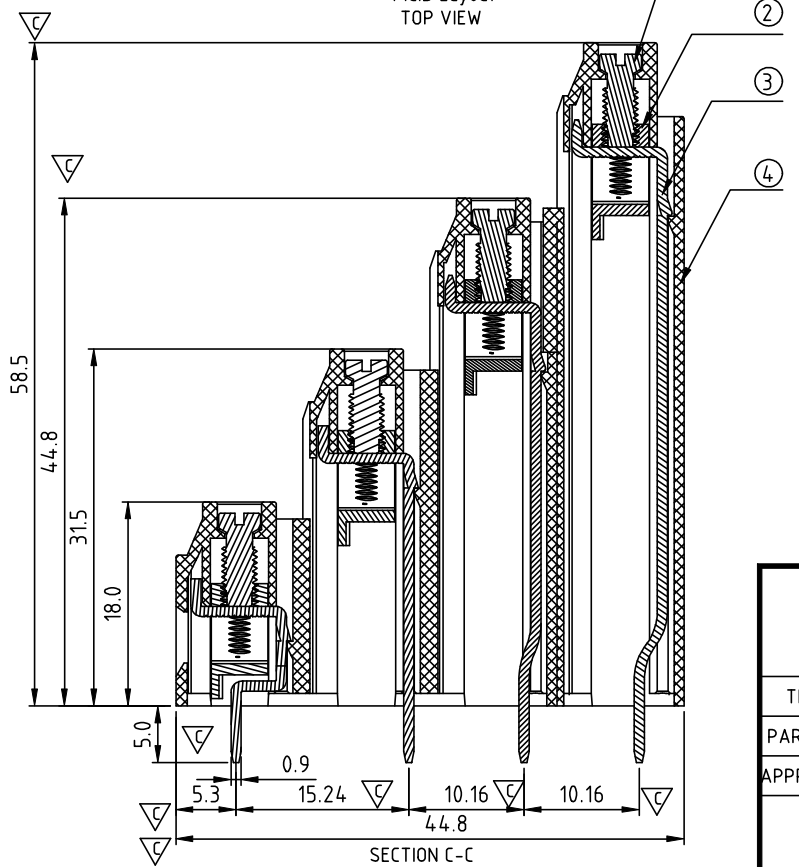
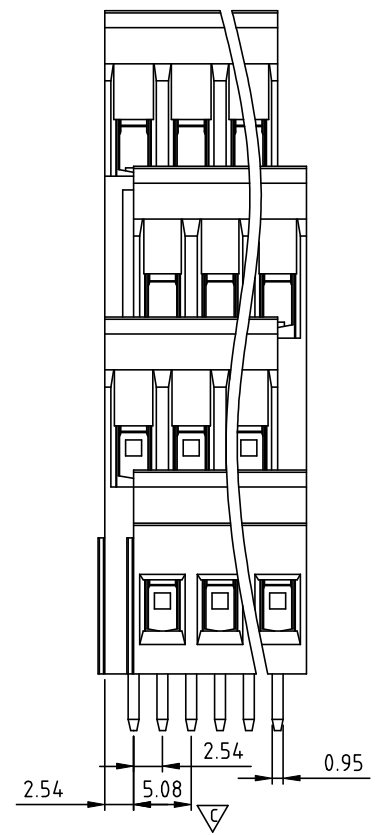
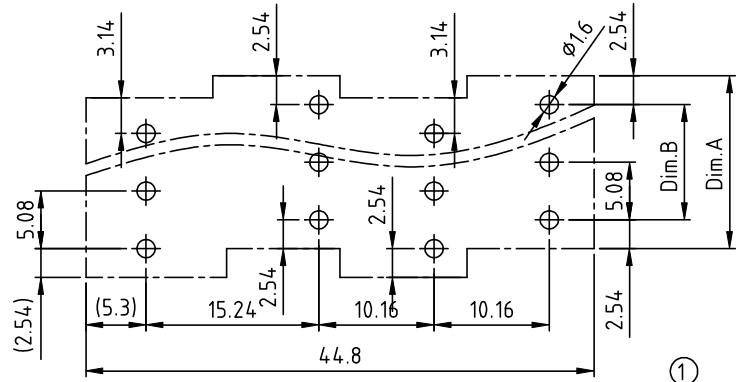
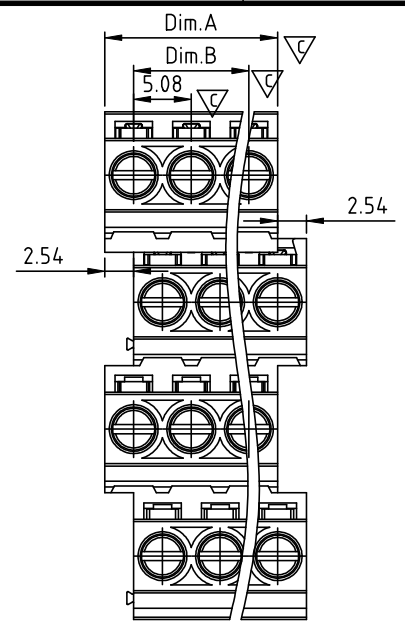
SIGN	DATE	DESCRIPTION	APPROVER
THIS IS CAD DRAWING, DO NOT REVISE MANUALLY!!!			

**Material**

- Item① Terminal screw: Steel M3 Zinc plating "-" slot type
- Item② Terminal body: Brass(CuZn), Ni plating
- Item③ Clamp : Brass, Tin plated
- Item④ Terminal housing : Thermoplastic (UL94V-0)

Electrical cULus

- Voltage rating: 300VAC
- Current rating: 15A
- Wire range:
- Solid wire(AWG): 12-28
- Stranded wire(AWG): 12-28
- Torque(Lb-In): 4.3
- Screw: M3
- Wire strip length: 6-7mm
- Withstanding Voltage: 1.6KV
- Operating temperature: -40°C to +115°C
- Soldering temperature: 260°C±5°C/5 Sec
- Critical dimension: ▽



PART NO.

YI xx 21 x 1 xxxx G

Poles  
 08 2x4 Poles  
 12 3x4 Poles  
 — —  
 96 24x4 Poles

- 0 Black (RAL9005)
- 2 Red (RAL3001/D)
- 3 Orange(RAL2011/P)
- 4 Yellow(RAL1018/A)
- 5 Green(RAL6018/T)
- 6 Blue (RAL5015/A)
- 8 Grey(RAL7035/D)

G RoHS compliant (lead<4%) In copper Alloy  
 0000 Standard @ Logo  
 000A Standard ANY Logo  
 Any special item by customer request, please contact sales department.

**ANYTEK**

**CUSTOMER COPY**

ALL RIGHTS RESERVED. REPRODUCTION OR ISSUE TO THIRD PARTIES IN ANY FORM WHATEVER IS NOT PERMITTED WITHOUT WRITTEN AUTHORITY FROM THE PROPRIETOR. PROPERTY OF ANYTEK TECHNOLOGY CO., LTD

TITLE		YI 5.08mm Series 4x2P - 4x24P ( Without cover )				
PART NO.		YIxx21x1xxxxG		DWG NO.		8YI0001
APPROVED	CHECKED	DESIGNED	DRAWN	CUST NO.		Tolerance
		Guoxue	Jacke			X. ±0.50
		2012.10.11	08/11/21			X.X ±0.30
				SHEET: 01/01		X.XX ±0.10
				REV.: B		X° ±1°