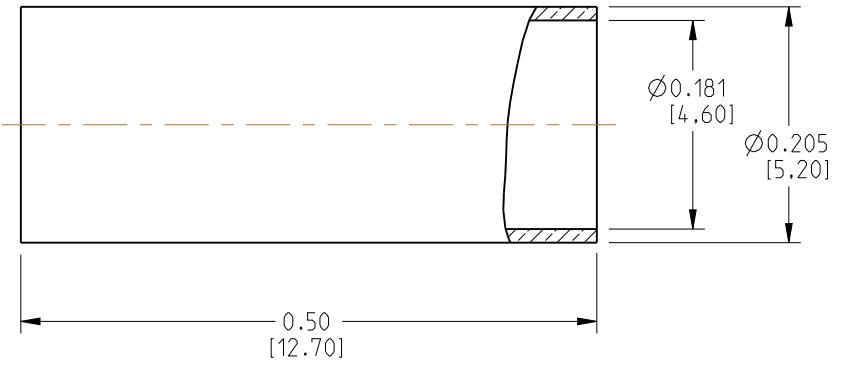
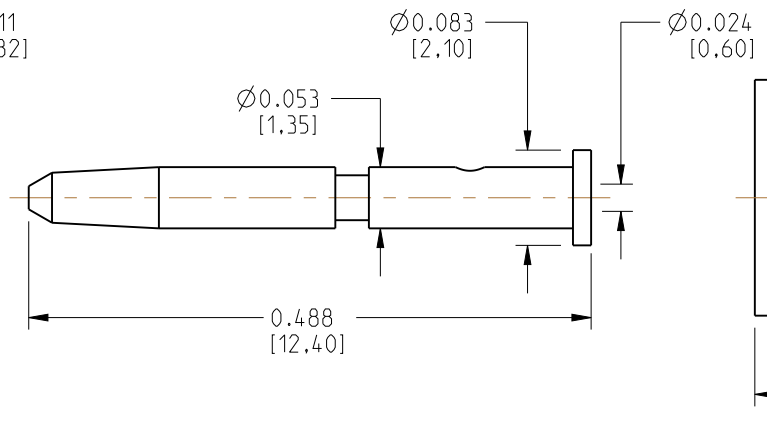
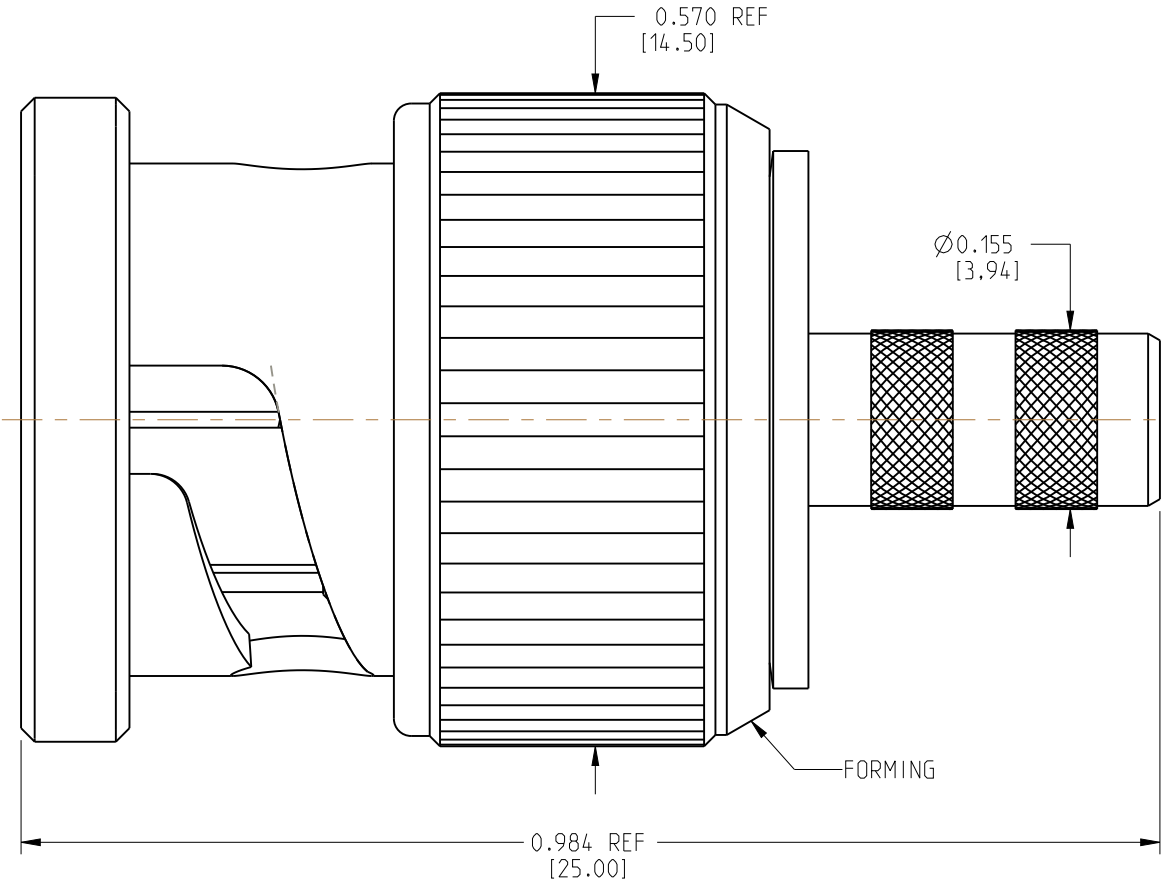
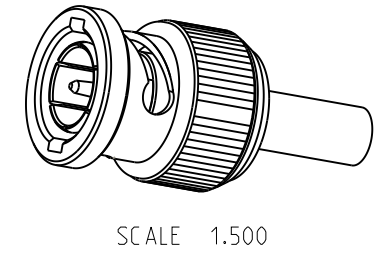
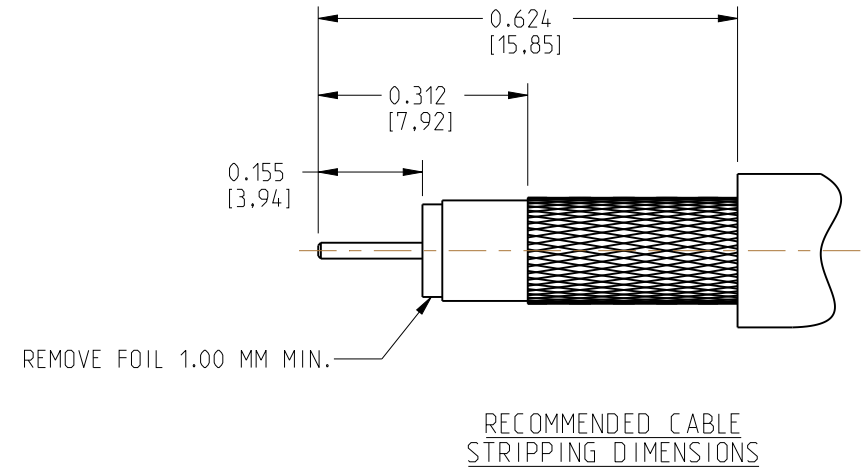


NOTES:

1. IMPEDANCE : 75 OHM
2. FERQUENCY RANGE : DC - 6 GHz
3. VSWR : 1.1 MAX.
4. DIELECTRIC WITHSTANDING VOLTAGE : 1500 VRMS.MIN.
5. CRIMPED FERRULE
HEX CRIMP SIZE .178"
6. CRIMPED CONTACT PIN
HEX CRIMP SIZE 0.041" OR 0.042"

| | | | | | |
|-------------------|-----|---|-----------|--------|------|
| 112955-11 | | REVISIONS | | | |
| DRAWING NO. | REV | DESCRIPTION | DATE | ECO | APPR |
| THIRD ANGLE PROJ. | NC | INITIAL RELEASE | 19-Sep-11 | XXXXXX | -- |
| | A | ADD BeCu RETAINER RING | 27-Apr-12 | 2297 | -- |
| | B | MODIFY OUTER CONTACT TO IMPROVE PERFORMANCE | 09-Aug-12 | 2355 | AAP |
| | C | ADD GEPCO CABLE CALLOUT. CORRECT B.O.M. | 25-Sep-12 | 2377 | RV |
| | D | ADD CONTACT PIN CRIMP OPTION | 25-Apr-13 | 2468 | MB |
| | E | FREQUENCY DC-6 GHz WAS DC-3 GHz | 1/22/16 | 50654 | CL |



| | | | | |
|----|---------------|------------------|---------|-----|
| 10 | FERRULE | BRASS | NICKEL | 1 |
| 9 | CONTACT PIN | BRASS | GOLD | 1 |
| 8 | RING | BRASS | NICKEL | 1 |
| 7 | WASHER | BRASS | NICKEL | 1 |
| 6 | SPRING | SK5 | NICKEL | 1 |
| 5 | GASKET | RUBBER | RED | 1 |
| 4 | OUTER CONTACT | BERYLLIUM COPPER | NICKEL | 1 |
| 3 | INSULATOR | PTFE | NATURAL | 1 |
| 2 | BODY | BRASS | NICKEL | 1 |
| 1 | SHELL | BRASS | NICKEL | 1 |
| NO | DESCRIPTION | MATERIAL | FINISH | QTY |

| | | | | | |
|---|---------------------------|------------------------|-------------------|--|--------------------|
| UNLESS OTHERWISE SPECIFIED, DIMENSIONS ARE IN INCHES AND TOLERANCES ARE: 2 PLACE DECIMAL ±.015 (0,381 mm) 3 PLACE DECIMAL ±.005 (0,127 mm) ANGLES ± 1° | MATERIAL SEE BOM TABLE | DRAWN NISCHIT MV | DATE 25-Apr-13 | TITLE BNC CRIMP PLUG - 75 OHM FOR BELDEN 1855A AND GEPCO VDM230 CABLE | Amphenol Connex |
| | REFERENCE | ENGINEER NISCHIT MV | DATE 25-Apr-13 | | |
| NOTICE - These drawings, specifications, or other data (1) are, and remain the property of Amphenol Corp. (2) must be returned upon request; and (3) are confidential and not to be disclosed to any person other than those to whom they are given by Amphenol Corp. The furnishing of these drawings, specifications, or other data by Amphenol Corp., or to any other person to anyone for any purpose is not to be regarded by implication or otherwise in any manner licensing, granting rights or permitting such holder or any other person to manufacture, use or sell any product, process or design, patented or otherwise, that may in any way be related to or disclosed by said drawings, specifications, or other data. | | APPROVED | DATE | | |
| | | CAD FILE | DWG SIZE B | DRAWING NO. 112955-11 | REV E |