

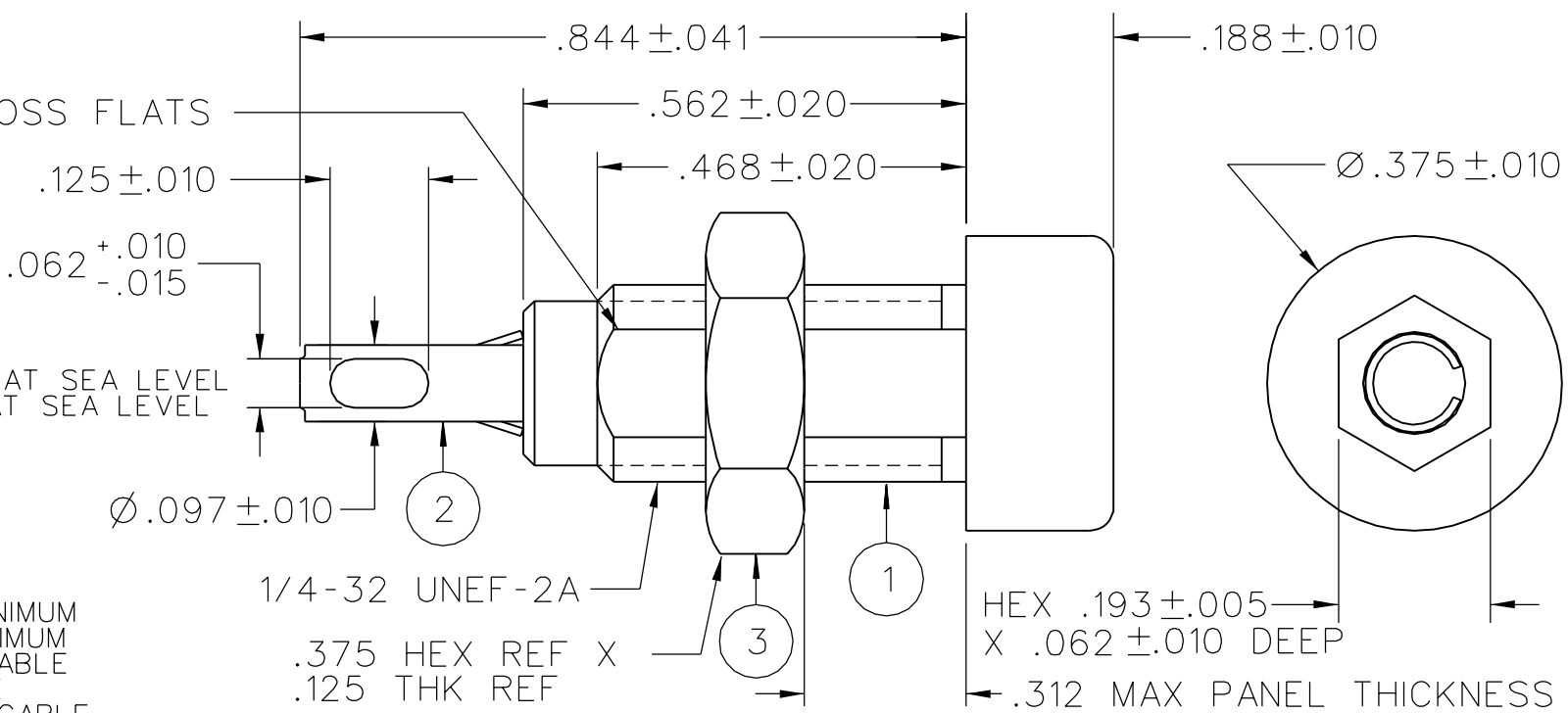
PART NUMBER	ITEM ①	ITEM ②	ITEM ③
105-0801-001	NYLON	WHITE	PHOSPHOR BRONZE
105-0802-001		RED	TIN PL .0002 MIN OVER
105-0803-001		BLACK	NICKEL PL .00005 MIN
105-0804-001		GREEN	
105-0805-001			
105-0806-001		ORANGE	
105-0807-001		YELLOW	
105-0808-001		BROWN	
105-0809-001			
105-0810-001		BLUE	
105-0811-001			
105-0812-001		VIOLET	
105-0813-001		GRAY	
105-0814-001			
105-0815-001			
105-0816-001			
105-0817-001			
105-0818-001			
105-0819-001			
105-0820-001			



DRAWING NO. B - 105-0801/0820-001			
0	REVISIONS		
REVISED AND REDRAWN. DRAWING WAS "C" SIZE 105-0801/0820-001/025 DATED 8-6-93. SPLIT INTO 2 SEPERATE DWGS. CREATED SHEET 2. ***** * REVISION NUMBER FOLLOWED BY AN ALPHA * * CHARACTER INDICATES DRAWING CLARIFICATION OR PART NUMBER ADDITION ONLY. * *****			
18b	1-7-03	R H	R J B
			10-16-03 ECN 48698

2X "D" FLATS .209±.010 ACROSS FLATS

NOTES:
 SPECIFICATIONS:
 ELECTRICAL:
 CURRENT RATING: 10 AMPS DC MINIMUM
 DIELECTRIC WITHSTANDING VOLTAGE: 5700 VRMS MINIMUM AT SEA LEVEL
 RECOMMENDED WORKING VOLTAGE: 2850 VRMS MAXIMUM AT SEA LEVEL
 INSULATION RESISTANCE: 5000 MEGOHMS MINIMUM
 CONTACT RESISTANCE: 10 MILLIOHMS MAXIMUM
 CAPACITANCE: 2 PF NOMINAL
 MECHANICAL:
 INSERTION/WITHDRAWAL FORCE: 0.5 - 5.0 POUNDS
 CONTACT RETENTION IN INSULATOR FORCE: 10 POUNDS MINIMUM
 CONTACT RETENTION IN INSULATOR TORQUE: 12 IN OZ MINIMUM
 INSULATOR RETENTION IN .062 PANEL FORCE: NOT APPLICABLE
 INSULATOR RETENTION IN SLEEVE FORCE: NOT APPLICABLE
 INSULATOR RETENTION IN .062 PANEL TORQUE: NOT APPLICABLE
 PLASTIC MOUNTING THREAD STRIPPING TORQUE: 4 IN LBS MINIMUM
 RESISTANCE TO TEST PROBE DAMAGE TORQUE: 2 IN LBS MINIMUM
 MATING TIP PLUG DIAMETER: .080
 DURABILITY: 1000 CYCLES MINIMUM
 ENVIRONMENTAL:
 (MEETS OR EXCEEDS THE APPLICABLE PARAGRAPH OF MIL-PRF-39024)
 OPERATING TEMPERATURE: -55 DEG C TO 85 DEG C
 TEMPERATURE RISE AT RATED CURRENT: 10 DEG C MAXIMUM
 CORROSION: MIL-STD-1344, METHOD 1001, CONDITION B
 SHOCK: MIL-STD-1344, METHOD 2004, CONDITION G
 VIBRATION: MIL-STD-1344, METHOD 2005, CONDITION I
 HUMIDITY: MIL-STD-1344, METHOD 1002, CONDITION B



CUSTOMER DRAWING

THIS DRAWING TO BE INTERPRETED PER ASME Y 14.5M - 1994

"μSTATION"

COMPANY CONFIDENTIAL

TOLERANCE UNLESS OTHERWISE SPECIFIED		DRAWN BY	DATE
DECIMALS	mm	RJB	12-6-02
.XX		CHECKED BY	DATE
.XXX REF			
MATL		APPROVED BY	DATE
		RJB	10-16-03
FINISH		RELEASE DATE	10-16-03
		U/M	INCH
		SCALE	4:1

	Cinch Connectivity Solutions P.O. Box 1732 Waseca, MN 56093 1-800-247-8256	
	TITLE ASSEMBLY, .080 (2.0mm) TIP JACK, INSULATED PANEL MOUNT, SOLDER TERMINAL	
SHEET	DRAWING NO.	
2 OF 2	B - 105-0801/0820-001	