

SECTION Z-Z

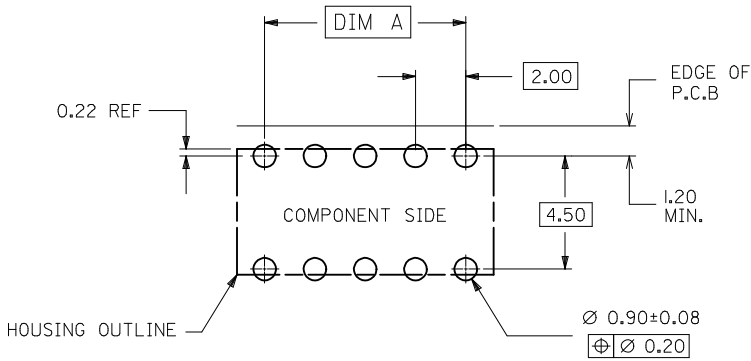
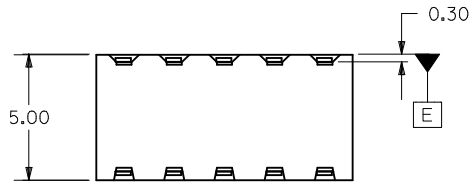
PART NO. LEGEND

87264- \* \* 5 \*

CIRCUIT SIZE      PLATING

POST-PLATED

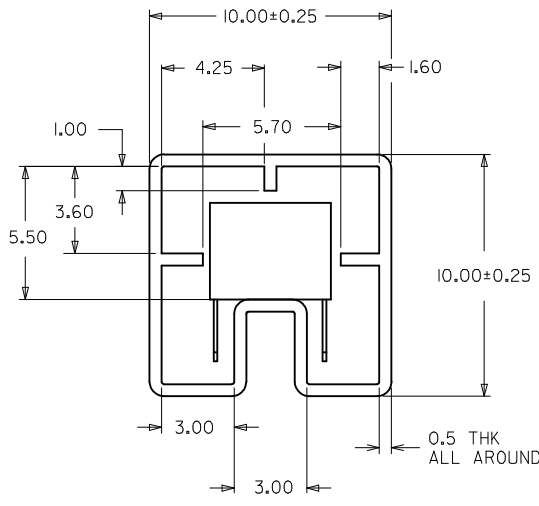
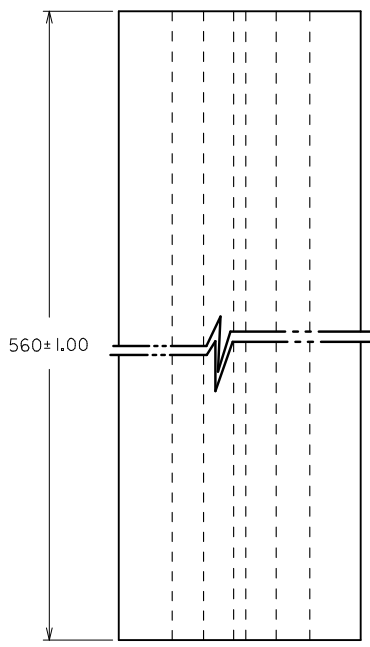
- 2 - 0.38um/15uin MIN. GOLD PLATE IN SELECTED AREA AND 2.54um/100uin MIN. TIN IN SELECTED AREA OVER 1.27um/50uin NICKEL OVERALL (IN TUBE).
- 3 - 0.76um/30uin MIN. GOLD PLATE IN SELECTED AREA AND 2.54um/100uin MIN. TIN IN SELECTED AREA OVER 1.27um/50uin NICKEL OVERALL (IN TUBE).
- 4 - 0.05-0.25um/2-10uin GOLD PLATE IN SELECTED AREA AND 2.54um/100uin MIN. TIN IN SELECTED AREA OVER 1.27um/50uin NICKEL OVERALL (IN TUBE).
- 8 - 0.38um/15uin MIN. GOLD PLATE IN SELECTED AREA AND 2.54um/100uin MIN. TIN IN SELECTED AREA OVER 1.27um/50uin NICKEL OVERALL. (IN TAPE/REEL)
- 9 - 0.76um/30uin MIN. GOLD PLATE IN SELECTED AREA AND 2.54um/100uin MIN. TIN IN SELECTED AREA OVER 1.27um/50uin NICKEL OVERALL. (IN TAPE/REEL)
- 5 - 0.05-0.25um/2-10uin GOLD PLATE IN SELECTED AREA AND 2.54um/100uin MIN. TIN IN SELECTED AREA OVER 1.27um/50uin NICKEL OVERALL (IN TAPE/REEL)



RECOMMENDED P.C. BOARD LAYOUT

- NOTES:
1. IO CIRCUIT SIZE SHOWN FOR ILLUSTRATION ONLY. SEE CHART FOR AVAILABLE PART SIZES.
  2. PLATING FINISH: TERMINAL - AS PER LEGEND
  3. RECOMMENDED PC BOARD THICKNESS IS 1.60 ± 0.10mm.
  4. PRODUCT SPECIFICATION PS-87264 APPLIES.
  5. PART IS MATEABLE TO ALL MILLI-GRID HEADERS WITH MATING PIN LENGTH BETWEEN 2.50mm AND 4.20mm.
  6. TAPE & REEL OPTION IS SHOWN ON SHT 3 WITH 8 CKT ILLUSTRATION
  7. PARTS SHALL BE PACKED IN MOISTURE BARRIER BAG.
  8. FIRST CIRCUIT TO BE IDENTIFIED BY A NOTCH ACROSS TOP OF HOUSING AND IS LOCATED BETWEEN CIRCUIT 1&3 AS SHOWN.

SEE SHEET 3 EC NO: S2017-0673 DRWN: GEMEARLY 2017/05/18 CH'KD: SCHEONG 2017/07/03 APPR: KHLIM 2017/07/05	QUALITY SYMBOLS $F_p=00$ $F_c=00$ $F_p=0$	GENERAL TOLERANCES (UNLESS SPECIFIED)		DIMENSION STYLE	SCALE	DESIGN UNITS	THIRD ANGLE PROJECTION	
				MM ONLY	NTS	METRIC		
				DRAWN BY	DATE	TITLE		
				JWAN	1992/02/25	MGRID, 2MM DUAL ROW HDR. SIDE ENTRY RECEPTACLE T/H		
		4 PLACES ± --- ± ---		CHECKED BY	DATE	<b>molex</b>		
		3 PLACES ± --- ± ---		MLAI	1992/02/25			
		2 PLACES ± 0.2 ± ---		APPROVED BY	DATE	SD-87264-***50		
		1 PLACE ± --- ± ---		RWONG	1992/02/25			
		0 PLACE ± ±		MATERIAL NO.		DOCUMENT NO.	SHEET NO.	
		ANGULAR ± 3 °		SEE TABLE		SD-87264-***50	1 OF 3	
		DRAFT WHERE APPLICABLE MUST REMAIN WITHIN DIMENSIONS		THIS DRAWING CONTAINS INFORMATION THAT IS PROPRIETARY TO MOLEX INCORPORATED AND SHOULD NOT BE USED WITHOUT WRITTEN PERMISSION				



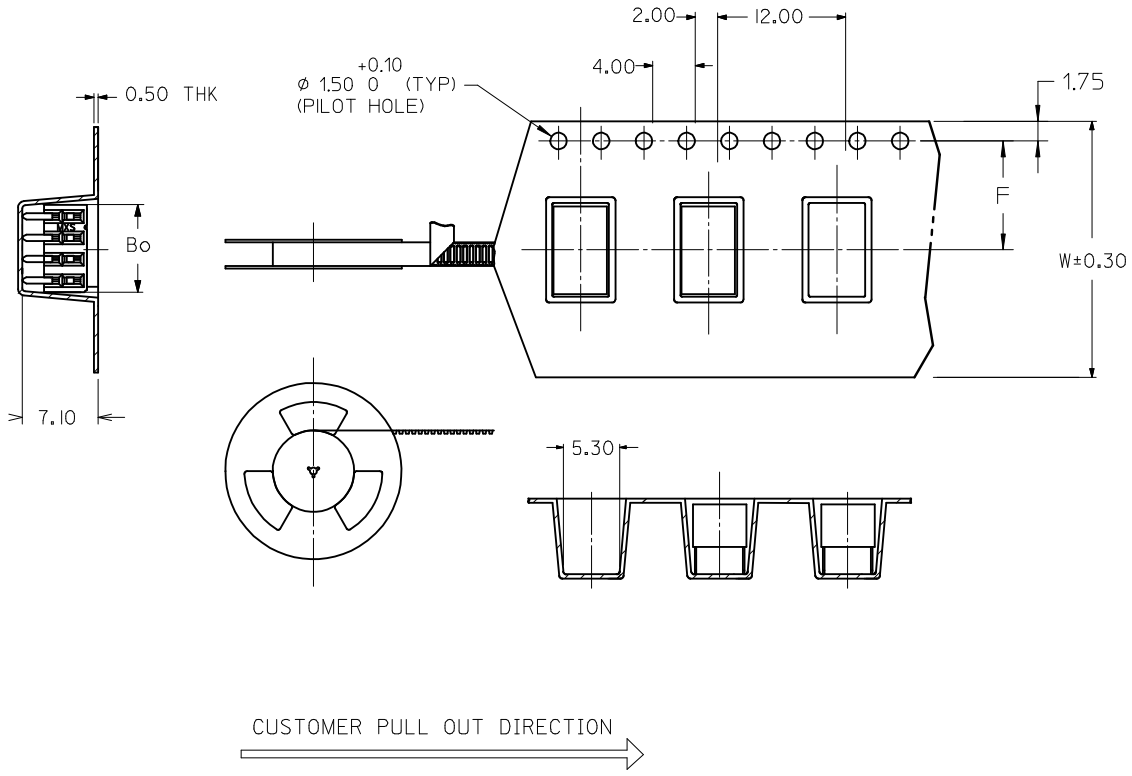
PART IN TUBE ORIENTATION.

PART NUMBER 0.38um GOLD PLATING $\triangle_2$	PART NUMBER 0.76um GOLD PLATING $\triangle_2$	CKT. SIZE	DIM A	DIM B
87264-0652	87264-0653	6	4.00	6.20
87264-0852	87264-0853	8	6.00	8.20
87264-1052	87264-1053	10	8.00	10.20
87264-1252	87264-1253	12	10.00	12.20
87264-1452	87264-1453	14	12.00	14.20
87264-1652	87264-1653	16	14.00	16.20
87264-1852	87264-1853	18	16.00	18.20
87264-2052	87264-2053	20	18.00	20.20
87264-2252	87264-2253	22	20.00	22.20
87264-2452	87264-2453	24	22.00	24.20
87264-2652	87264-2653	26	24.00	26.20
87264-2852	87264-2853	28	26.00	28.20
87264-3052	87264-3053	30	28.00	30.20
87264-3252	87264-3253	32	30.00	32.20
87264-3452	87264-3453	34	32.00	34.20
87264-3652	87264-3653	36	34.00	36.20
87264-3852	87264-3853	38	36.00	38.20
87264-4052	87264-4053	40	38.00	40.20
87264-4252	87264-4253	42	40.00	42.20
87264-4452	87264-4453	44	42.00	44.20
87264-4652	87264-4653	46	44.00	46.20
87264-4852	87264-4853	48	46.00	48.20
87264-5052	87264-5053	50	48.00	50.20

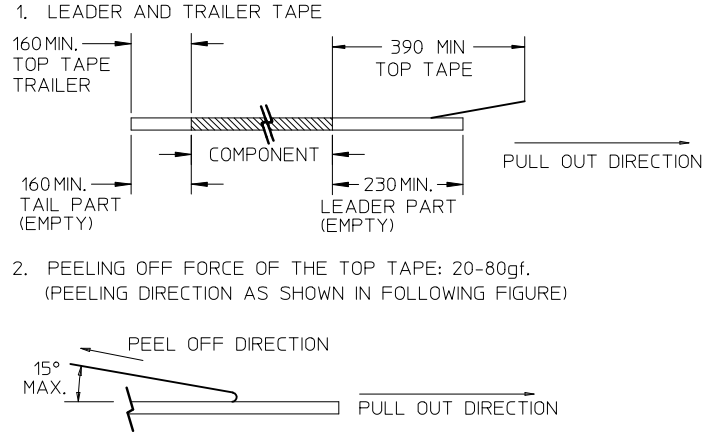
SEE SHEET 3 EC NO: S2017-0673 DRWN:GMENARLY 2017/05/18 CHKD:SCHEONG 2017/07/03 APPR:KHLIM 2017/07/05	QUALITY SYMBOLS	GENERAL TOLERANCES (UNLESS SPECIFIED)	DIMENSION STYLE	SCALE	DESIGN UNITS	THIRD ANGLE PROJECTION																		
	$\nabla_A=0$ $\nabla_C=0$ $\nabla_P=0$	<table border="1"> <thead> <tr> <th></th> <th>mm</th> <th>INCH</th> </tr> </thead> <tbody> <tr><td>4 PLACES</td><td>± ---</td><td>± ---</td></tr> <tr><td>3 PLACES</td><td>± ---</td><td>± ---</td></tr> <tr><td>2 PLACES</td><td>± 0.2</td><td>± ---</td></tr> <tr><td>1 PLACE</td><td>± ---</td><td>± ---</td></tr> <tr><td>0 PLACE</td><td>±</td><td>±</td></tr> </tbody> </table>		mm	INCH	4 PLACES	± ---	± ---	3 PLACES	± ---	± ---	2 PLACES	± 0.2	± ---	1 PLACE	± ---	± ---	0 PLACE	±	±	MM ONLY	NTS	METRIC	
		mm	INCH																					
	4 PLACES	± ---	± ---																					
3 PLACES	± ---	± ---																						
2 PLACES	± 0.2	± ---																						
1 PLACE	± ---	± ---																						
0 PLACE	±	±																						
<table border="1"> <thead> <tr> <th>REV</th> <th>DESCRIPTION</th> </tr> </thead> <tbody> <tr> <td>F4</td> <td></td> </tr> </tbody> </table>	REV	DESCRIPTION	F4		<table border="1"> <thead> <tr> <th>DRAWN BY</th> <th>DATE</th> <th>TITLE</th> </tr> </thead> <tbody> <tr> <td>JWAN</td> <td>1992/02/25</td> <td rowspan="2">MGRID, 2MM DUAL ROW HDR. SIDE ENTRY RECEPTACLE T/H</td> </tr> <tr> <td>MLA1</td> <td>1992/02/25</td> </tr> <tr> <th>APPROVED BY</th> <th>DATE</th> <th></th> </tr> <tr> <td>RWONG</td> <td>1992/02/25</td> <td></td> </tr> </tbody> </table>	DRAWN BY	DATE	TITLE	JWAN	1992/02/25	MGRID, 2MM DUAL ROW HDR. SIDE ENTRY RECEPTACLE T/H	MLA1	1992/02/25	APPROVED BY	DATE		RWONG	1992/02/25						
REV	DESCRIPTION																							
F4																								
DRAWN BY	DATE	TITLE																						
JWAN	1992/02/25	MGRID, 2MM DUAL ROW HDR. SIDE ENTRY RECEPTACLE T/H																						
MLA1	1992/02/25																							
APPROVED BY	DATE																							
RWONG	1992/02/25																							
	ANGULAR ± 3 °	MATERIAL NO.	DOCUMENT NO.	SHEET NO.																				
	DRAFT WHERE APPLICABLE MUST REMAIN WITHIN DIMENSIONS	SEE TABLE	SD-87264-**50	2 OF 3																				
		SIZE A3	THIS DRAWING CONTAINS INFORMATION THAT IS PROPRIETARY TO MOLEX INCORPORATED AND SHOULD NOT BE USED WITHOUT WRITTEN PERMISSION																					

PART NUMBER 0.38um GOLD PLATING $\triangle_2$ (IN TAPE/REEL)	PART NUMBER 0.76um GOLD PLATING $\triangle_2$ (IN TAPE/REEL)	CKT SIZE	DIM W	DIM F	DIM Bo
87264-0858	87264-0859	8	24.00	11.50	8.80
87264-1658	-	16	24.00	11.50	16.80

Ⓔ4



NOTES:



- 3. PACKAGING STANDARD IS AS PER EIA-481.
- 4. TAPE & REEL QUANTITY = 600PCS/REEL

ADD 87264-1658 EC NO: S2017-0673 DRWNG: GEMARLY 2017/05/18 CHK'D: SCHEONG 2017/07/03 APPR: KHL JM 2017/07/05	QUALITY SYMBOLS $\nabla_A = 0$ $\nabla_B = 0$ $\nabla_C = 0$	GENERAL TOLERANCES (UNLESS SPECIFIED)		DIMENSION STYLE MM ONLY		SCALE NTS	DESIGN UNITS METRIC	THIRD ANGLE PROJECTION	
			mm	INCH	DRAWN BY JWAN	DATE 1992/02/25	TITLE MGRID, 2MM DUAL ROW HDR. SIDE ENTRY RECEPTACLE T/H		
		4 PLACES	± ---	± ---	CHECKED BY MLA1	DATE 1992/02/25	<b>molex</b> DOCUMENT NO. SD-87264-**-50 SHEET NO. 3 OF 3		
		3 PLACES	± ---	± ---	APPROVED BY RWONG	DATE 1992/02/25			
	2 PLACES	± 0.2	± ---	MATERIAL NO. SEE TABLE					
	1 PLACE	± ---	± ---	DRAFT WHERE APPLICABLE MUST REMAIN WITHIN DIMENSIONS					
	0 PLACE	±	±	ANGULAR ± 3°					