

NOTES:

1. MATERIAL:

HOUSING: LCP GLASS FILLED UL 94-V0 COLOUR: BLACK

TERMINAL: COPPER ALLOY PLATED WITH:

BASE FINISH: NICKEL

CONTACT SURFACE FINISH:

GOLD

OR

GOLD FLASH OVER PALLADIUM NICKEL.

EXCEEDS PRODUCT REQUIREMENTS BASED ON PS-95501

SOLDER TABS: BRASS PLATED WITH 0.0020 MIN TIN.

2. JACK FOR MATING WITH IEC 60603-7 AND TIA-1096-A PLUGS (MOLEX 90075 SERIES)

3. PRODUCT SPECIFICATION: MOLEX PS-95501

4. POLYIMIDE ADHESIVE TAPE FOR PICK & PLACE SURFACE. THICKNESS: 125µm

5. PACKAGING SPECIFICATION: MOLEX PK-85502. (BLISTER PACKAGING).

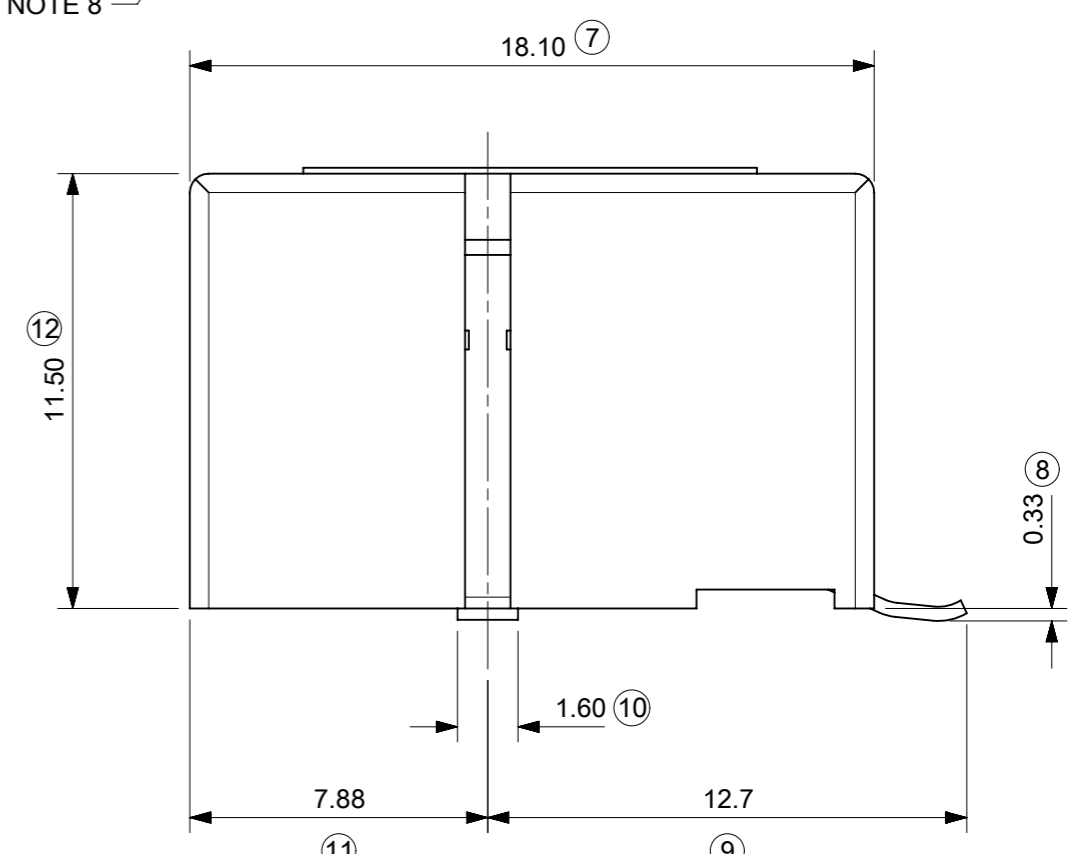
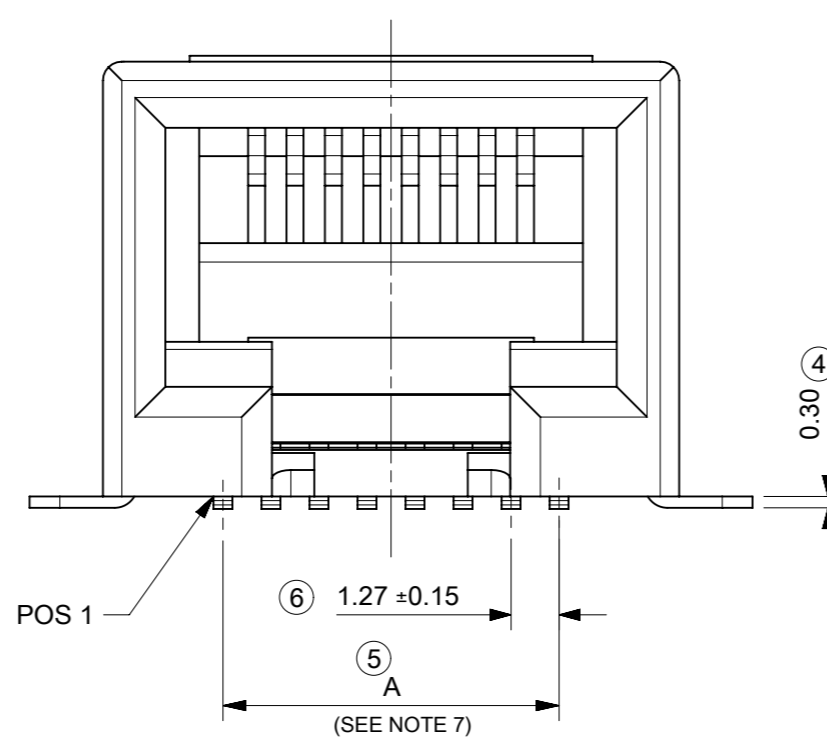
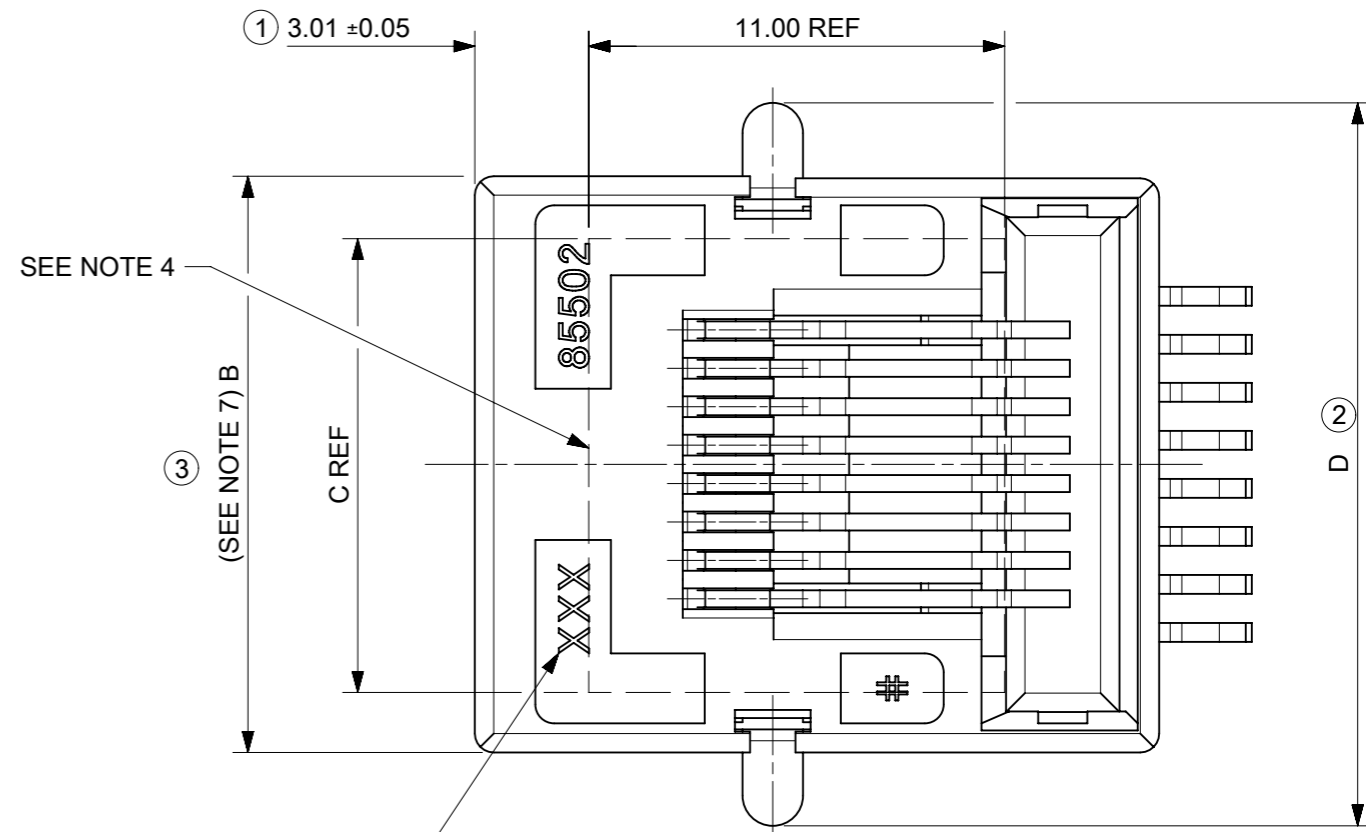
13 6. COPLANARITY OF SIGNAL LEADS: 0.10

7. SEE DIMENSIONS IN CHART ON SHEET 2.

8. MANUFACTURING I.D. MAY BE EITHER MG, MXF, MXI OR MXCH.

9. APPLICATION SPECIFICATION: AS-85513-001

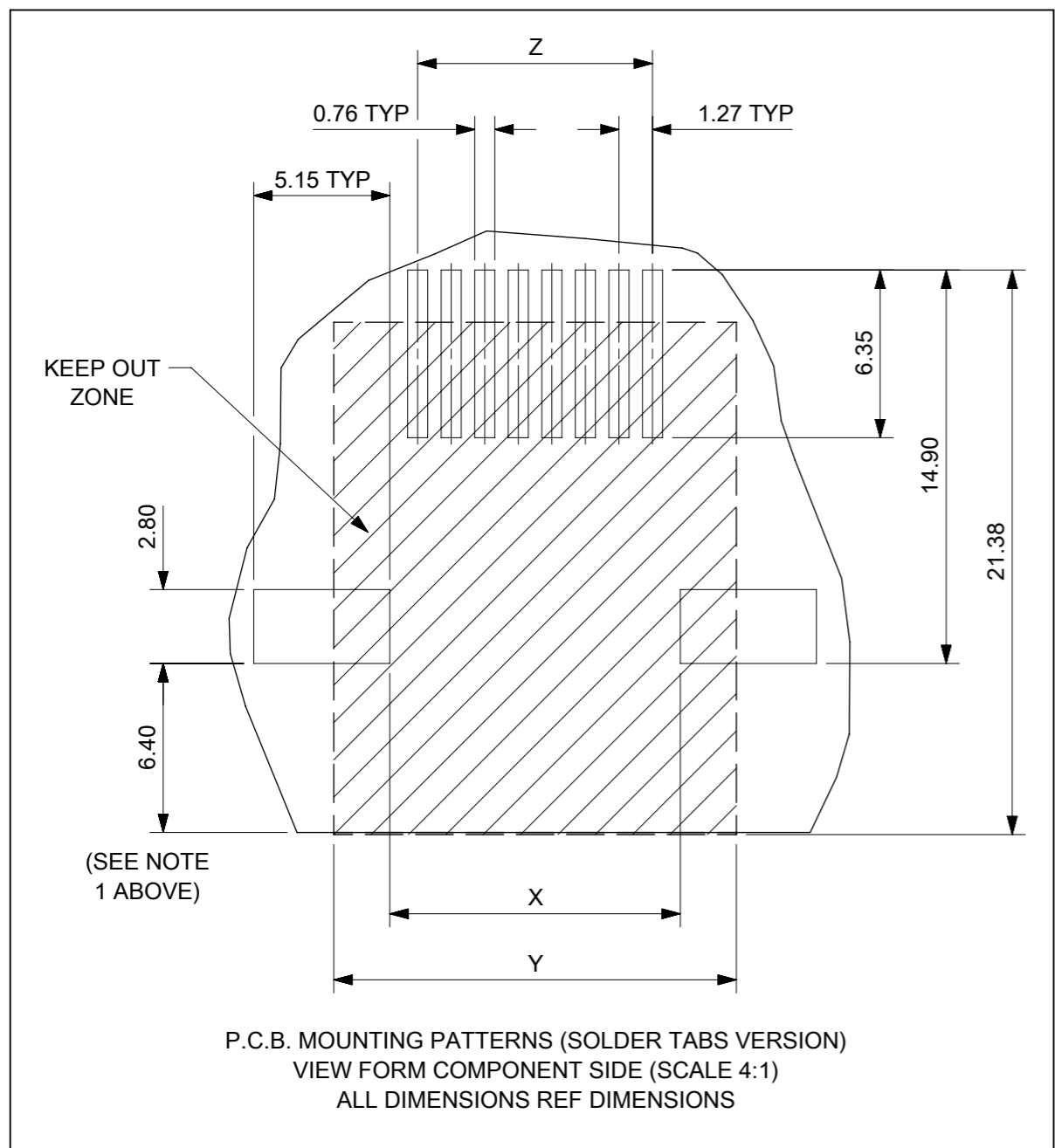
LAST INSPECTION NO.: 13

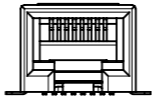


THIS DRAWING CONTAINS INFORMATION THAT IS PROPRIETARY TO MOLEX ELECTRONIC TECHNOLOGIES, LLC AND SHOULD NOT BE USED WITHOUT WRITTEN PERMISSION									
DIMENSION UNITS	SCALE	CURRENT REV DESC: REMASTERED USING 3D MODELS							
mm	5:1								
GENERAL TOLERANCES (UNLESS SPECIFIED)									
ANGULAR TOL	± 2.0 °	R/A LOW PROFILE TRUE SMT 4,6 & 8 CONTACTS PC JACK WITH SIDE SOLDER TABS							
4 PLACES	±	PRODUCT CUSTOMER DRAWING							
3 PLACES	±	EC NO: 686808 DRWN: AKUMAR19 2021/07/30 CHK'D: KLANG 2022/01/10 APPR: KLANG 2022/01/10							
2 PLACES	± 0.25	DOCUMENT NUMBER							
1 PLACE	± 0.35	SD-85502-101							
0 PLACES	±	DOC TYPE DOC PART REVISION							
DRAFT WHERE APPLICABLE MUST REMAIN WITHIN DIMENSIONS		THIRD ANGLE PROJECTION		DRAWING	SERIES	MATERIAL NUMBER	CUSTOMER	SHEET NUMBER	
				A3-SIZE	85502	SEE TABLE	GENERAL MARKET	1 OF 2	


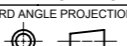
DOCUMENT STATUS	P1	RELEASE DATE	2022/01/10	19:59:24
-----------------	----	--------------	------------	----------

NOTES:
 1. RECOMMENDED DISTANCE FROM THE PCB'S EDGE
 2. PLATING SEE SHEET 1



PART NUMBERS FOR TRUE SMT JACK WITH SOLDER TABS									
	HOUSING COLOR	POS 4	TOOLED	POS 6	TOOLED	POS 6	TOOLED	POS 8	TOOLED
		4 CKTS		4 CKTS		6 CKTS		8 CKTS	
STANDARD VERSION	BLACK	85502-5005	X	85502-5006	X	85502-5007	X	85502-5008	X

DIM \ TYP	POS 4	POS 6		POS 8
	4 CKTS	4 CKTS	6 CKTS	8 CKTS
A ± 0.15	3.81	3.81	6.35	8.89
B	11.18	13.21	13.21	15.24
C (REF)	8.50	8.50	8.50	12.00
D ± 0.35	14.13	16.16	16.16	18.19
X ± 0.10	6.94	8.97	8.97	11.00
Y (REF)	11.18	13.21	13.21	15.24
Z ± 0.05	3.81	3.81	6.35	8.89

THIS DRAWING CONTAINS INFORMATION THAT IS PROPRIETARY TO MOLEX ELECTRONIC TECHNOLOGIES, LLC AND SHOULD NOT BE USED WITHOUT WRITTEN PERMISSION									
DIMENSION UNITS	SCALE	CURRENT REV DESC: REMASTERED USING 3D MODELS							
mm	1:1	 R/A LOW PROFILE TRUE SMT 4,6 & 8 CONTACTS PC JACK WITH SIDE SOLDER TABS							
GENERAL TOLERANCES (UNLESS SPECIFIED)									
ANGULAR TOL	± 2.0 °	PRODUCT CUSTOMER DRAWING							
4 PLACES	±	EC NO: 686808	DRWN: AKUMAR19		2021/07/30		DOCUMENT NUMBER		
3 PLACES	±	CHK'D: KLANG	APPR: KLANG		2022/01/10		DOC TYPE DOC PART REVISION		
2 PLACES	± 0.25	INITIAL REVISION:		2006/07/04		SD-85502-101			
1 PLACE	± 0.35	DRWN: DBYRNES		2006/07/07		PSD 001 E2			
0 PLACES	±	APPR: EOMAHONY		2006/07/07		MATERIAL NUMBER			
DRAFT WHERE APPLICABLE MUST REMAIN WITHIN DIMENSIONS		THIRD ANGLE PROJECTION	DRAWING	SERIES	MATERIAL NUMBER	CUSTOMER	SHEET NUMBER		
			A3-SIZE	85502	SEE TABLE	GENERAL MARKET	2 OF 2		