

THE INFORMATION CONTAINED HEREIN IS CONSIDERED "PROPRIETARY" TO BEL FUSE INC. AND SHALL NOT BE COPIED, REPRODUCED OR DISCLOSED WITHOUT THE WRITTEN APPROVAL OF BEL FUSE INC.

RoHS



ELECTRICAL CHARACTERISTICS @ 25°C

URNS RATIO

TP1	1CT : 1CT ±2%
TP2	1CT : 1CT ±2%
TP3	1CT : 1CT ±2%
TP4	1CT : 1CT ±2%

□CL @ 100kHz/100mVRMS

8mA DC BIAS 350µH MIN.

INS. LOSS

0.1MHz TO 1MHz	-1.1 dB MAX
1MHz TO 65MHz	-0.5 dB MAX
65MHz TO 100MHz	-0.8 dB MAX
100MHz TO 125MHz	-1.2 dB MAX

RET. LOSS (MIN)

0.5MHz-40MHz	-18 dB
40MHz-100MHz	-12+20LOG(f/80MHz) dB

CM TO CM REJ

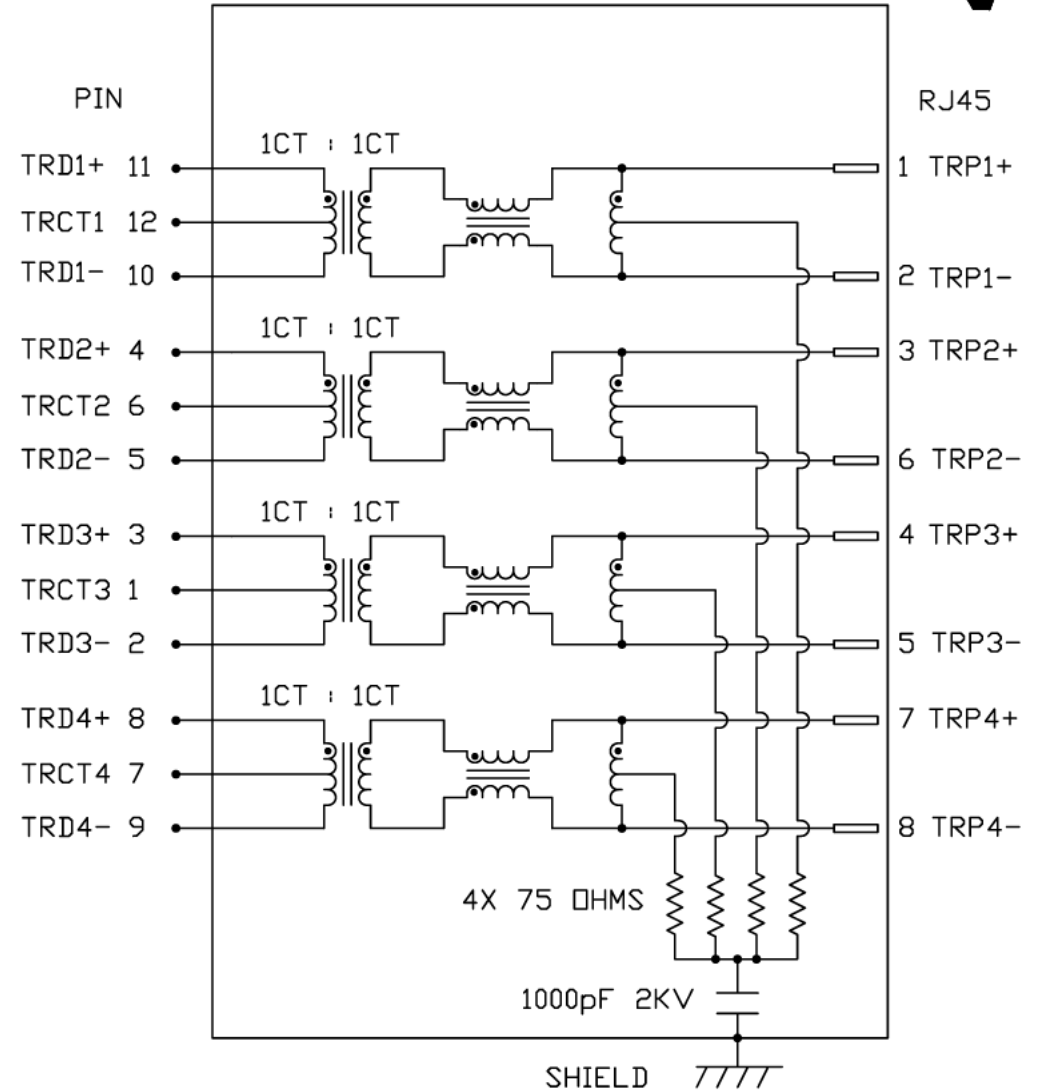
100kHz - 100MHz -30 dB MIN

CM TO DM REJ

100kHz - 100MHz -35 dB MIN

HIPOT (Isolation Voltage): 1500 Vrms or 2250VDC
 100% OF PRODUCTION TESTED TO COMPLY WITH
 IEEE 802.3 ISOLATION REQUIREMENTS.

SCHEMATIC

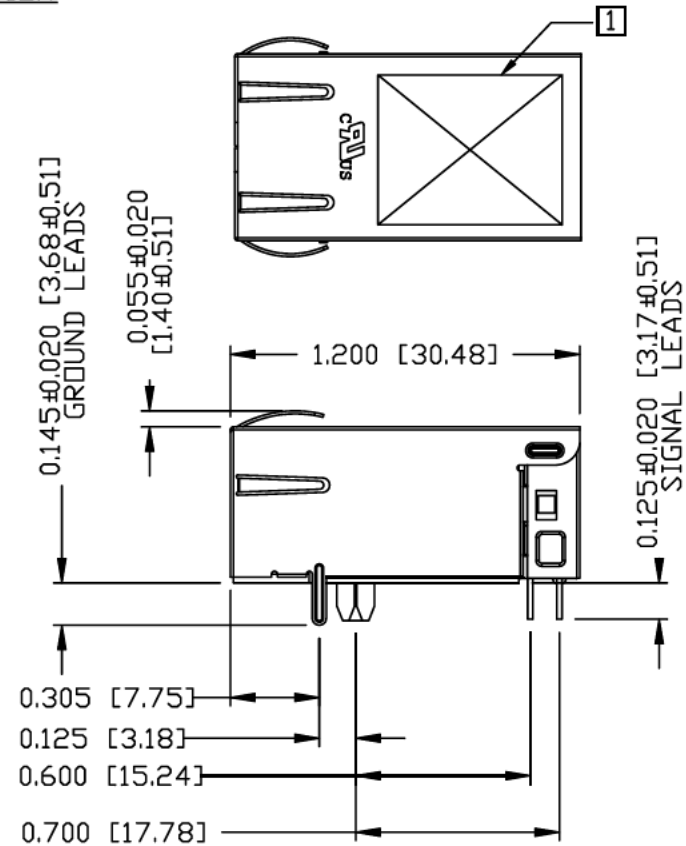
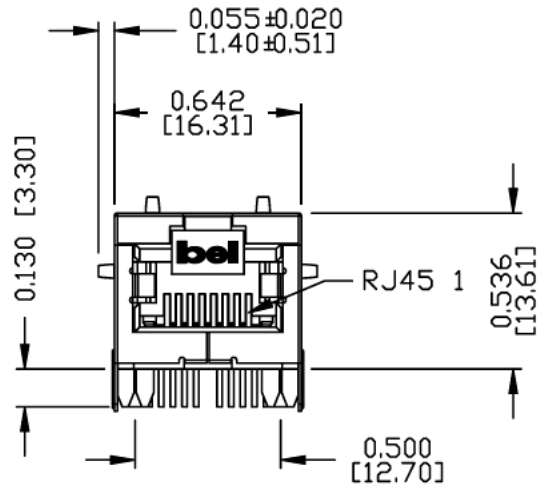


ORIGINATED BY CHOW WANCHUNG	DATE 2012-08-03	TITLE gigabit MagJack® (12 Cores, Tab Up, w/o LED)	PART NO. / DRAWING NO. 08161X1T23-F	STANDARD DIM. TOL. IN INCH	[] METRIC DIM. AS REFERENCE	<p>COMPONENTS OR A CONSTRUCTED PLANT</p>
DRAWN BY TAN QIGUANG	DATE 2012-08-03	FILE NAME 08161X1T23-F_C.DWG	.X	UNIT : INCH [mm]	REV. : C	
		PATENTED	.XX	SCALE : N/A	SIZE : A4	
			.XXX	⊕	PAGE : 2	

THE INFORMATION CONTAINED HEREIN IS CONSIDERED "PROPRIETARY" TO BEL FUSE INC. AND SHALL NOT BE COPIED, REPRODUCED OR DISCLOSED WITHOUT THE WRITTEN APPROVAL OF BEL FUSE INC.

MECHANICAL SPECIFICATION

RoHS



NOTES:

- PLASTIC HOUSING: THERMOPLASTIC PA
FLAMMABILITY RATING UL 94V-0
- CONTACTS: 50 MICRO-INCH HARD GOLD PLATING OR EQUIVALENT.
- OUTPUT PINS: TIN-COATED COPPER WIRE, DIA 0.016 AND DIA 0.018 INCH.
- METAL SHIELD: NICKEL PLATED ON COPPER ALLOY.
(ALL GROUND LEADS ARE SOLDER DIPPED)

[1] MARK PART WITH MFG LOGO, MFG NAME, PART NUMBER, DATE CODE AND PATENTED.

UL UL RECOGNIZED - FILE #E196366 AND E169987.

- 2. THE PRODUCT IS RoHS COMPLIANT.
- 3. JACK CAVITY CONFORMS TO FCC RULES AND REGULATIONS.
- 4. THE PRODUCT IS PATENTED. THE PATENT NUMBER IS U.S. PAT. 5,736,910.

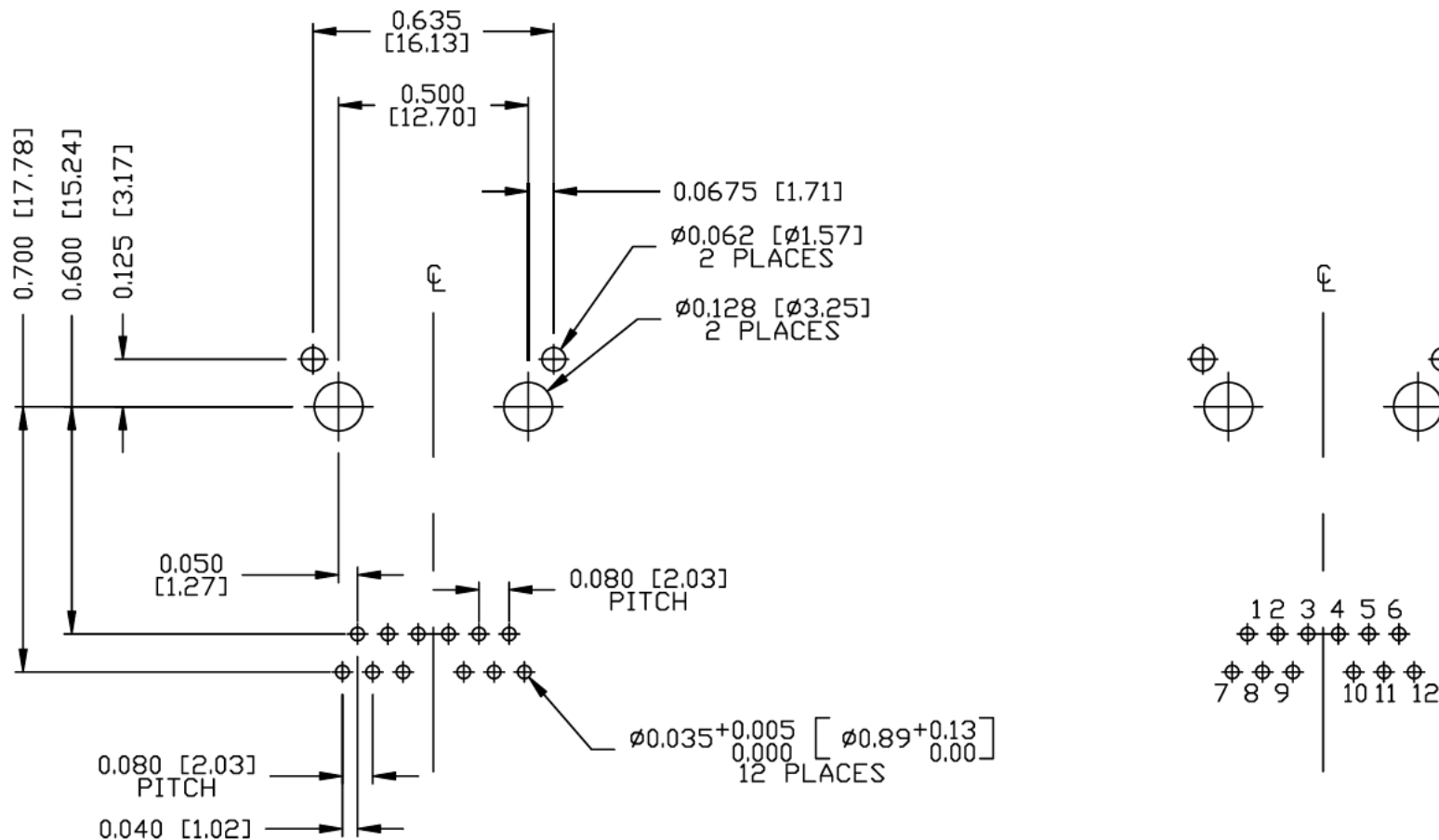
ORIGINATED BY ANTON LIAD	DATE 2012-08-03	TITLE gigabit MagJack® (12 Cores, Tab Up, w/o LED)	PART NO. / DRAWING NO. 08161X1T23-F	STANDARD DIM. TOL. IN INCH		[] METRIC DIM. AS REFERENCE		
				.X		UNIT : INCH [mm]	REV. : C	
DRAWN BY HE ZHEN	DATE 2012-08-03	PATENTED	FILE NAME 08161X1T23-F_C.DWG	.XX		SCALE : N/A	SIZE : A4	
				.XXX	±0.010		PAGE : 3	

THE INFORMATION CONTAINED HEREIN IS CONSIDERED "PROPRIETARY" TO BEL FUSE INC. AND SHALL NOT BE COPIED, REPRODUCED OR DISCLOSED WITHOUT THE WRITTEN APPROVAL OF BEL FUSE INC.

RoHS



RECOMMENDED PCB FOOTPRINT
COMPONENT SIDE VIEW



ORIGINATED BY ANTON LIAD	DATE 2012-08-03
DRAWN BY HE ZHEN	DATE 2012-08-03

TITLE glgabit MagJack® (12 Cores, Tab Up, w/o LED)
0816-1X1T-23-F PATENTED

PART NO. / DRAWING NO. 08161X1T23-F
FILE NAME 08161X1T23-F_C.DWG

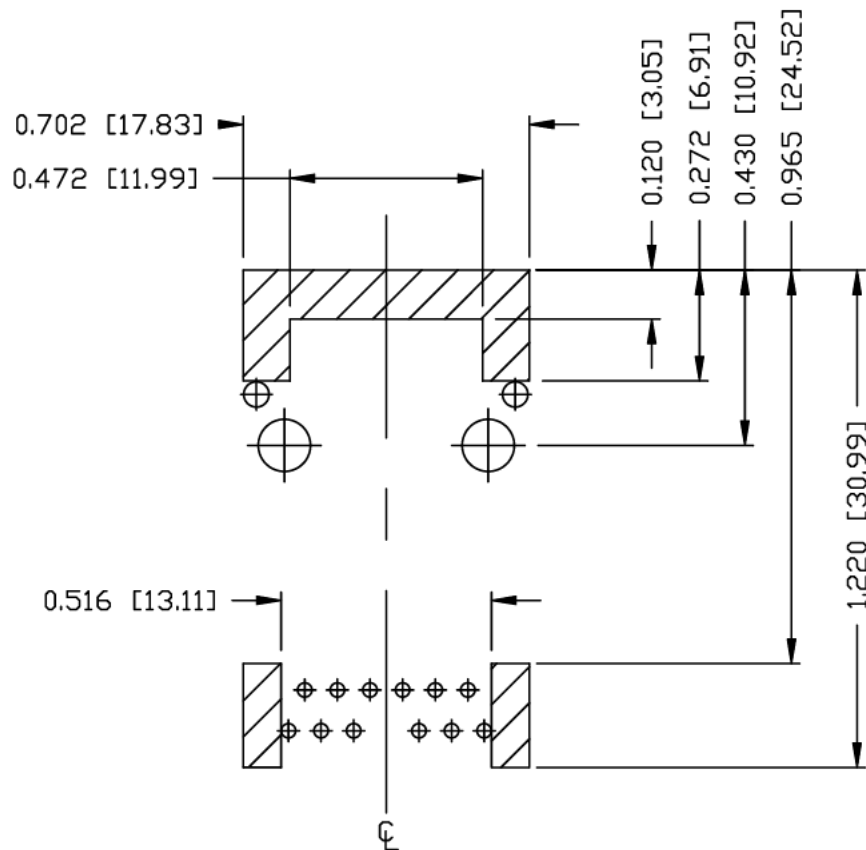
STANDARD DIM. TOL. IN INCH
.X
.XX
.XXX ±0.004

[] METRIC DIM. AS REFERENCE	REV. : C
UNIT : INCH [mm]	SIZE : A4
SCALE : N/A	PAGE : 4



THE INFORMATION CONTAINED HEREIN IS CONSIDERED 'PROPRIETARY' TO BEL FUSE INC. AND SHALL NOT BE COPIED, REPRODUCED OR DISCLOSED WITHOUT THE WRITTEN APPROVAL OF BEL FUSE INC.

RoHS



NOTES

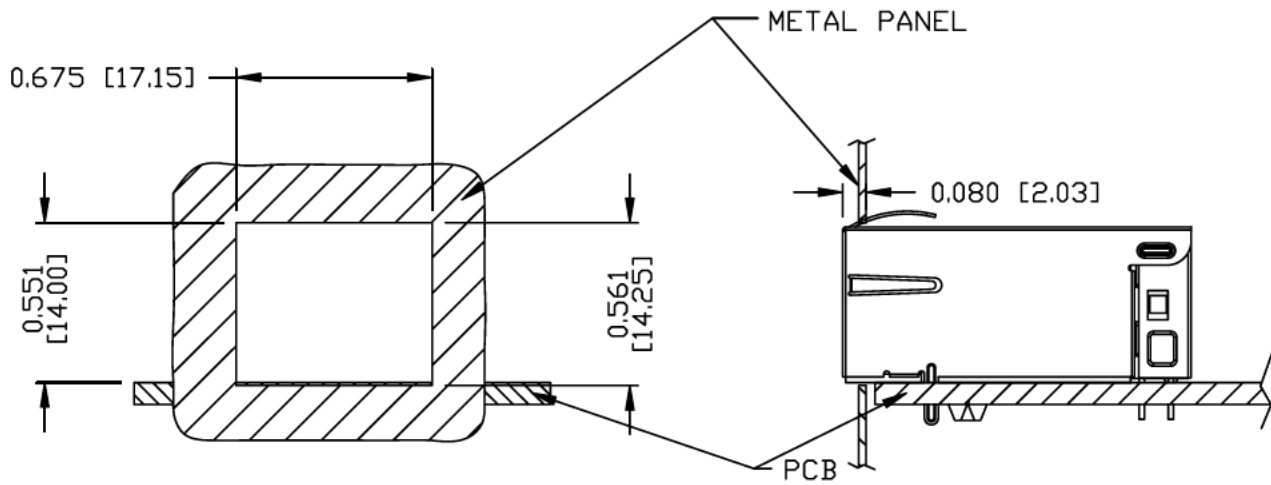
THE SHADED AREA ON THE CUSTOMER BOARD ARE RECOMMENDED TO BE CLEAR OFF ANY VIA HOLE OR COMPONENT PAD.

ORIGINATED BY ANTON LIAO	DATE 2012-08-03	TITLE gigabit MagJack® (12 Cores, Tab Up, w/o LED)	PART NO. / DRAWING NO. 08161X1T23-F		STANDARD DIM. TOL. IN INCH		[] METRIC DIM. AS REFERENCE		 COMPONENTS FOR A CONNECTED PLANET
			FILE NAME 08161X1T23-F_C.DWG		.X		UNIT : INCH [mm]	REV. : C	
DRAWN BY HE ZHEN	DATE 2012-08-03	PATENTED			.XX		SCALE : N/A	SIZE : A4	
					.XXX	±0.004		PAGE : 5	

THE INFORMATION CONTAINED HEREIN IS CONSIDERED "PROPRIETARY" TO BEL FUSE INC. AND SHALL NOT BE COPIED, REPRODUCED OR DISCLOSED WITHOUT THE WRITTEN APPROVAL OF BEL FUSE INC.



SUGGESTED PANEL OPENING



NOTE:

THE DISTANCE OF PANEL INSIDE SURFACE RELATIVE TO FRONT SURFACE OF PART IS ONLY A SUGGESTION. IN CASE THIS DISTANCE IS DIFFERENT, THE REQUIRED PANEL OPENING DIMENSIONS CHANGE ACCORDINGLY.

PACKING INFORMATION

PACKING TRAY : 0200-9999-F1 (TOP)
0200-9999-F2 (BOTTOM)

PACKING QUANTITY : 40 PCS FINISHED GOODS PER TRAY
10 TRAYS (400 PCS FINISHED GOODS) PER CARTON BOX

NOTE : CARDBOARDS ARE PLACED BETWEEN LAYERS OF PACKING TRAY INSIDE CARTON BOX (INCLUDE THE UPPERMOST AND LOWERMOST TRAY)

ORIGINATED BY ANTON LIAO	DATE 2012-08-03	TITLE glgabit MagJack® (12 Cores, Tab Up, w/o LED) 0816-1X1T-23-F PATENTED	PART NO. / DRAWING NO. 08161X1T23-F	STANDARD DIM.		[] METRIC DIM. AS REFERENCE		bel COMPONENTS FOR A CONNECTED PLANET
				TOL. IN INCH		UNIT : INCH [mm]	REV. : C	
				.X		SCALE : N/A	SIZE : A4	
DRAWN BY HE ZHEN	DATE 2012-08-03		FILE NAME 08161X1T23-F_C.DWG	.XX				
				.XXX	±0.004			PAGE : 6