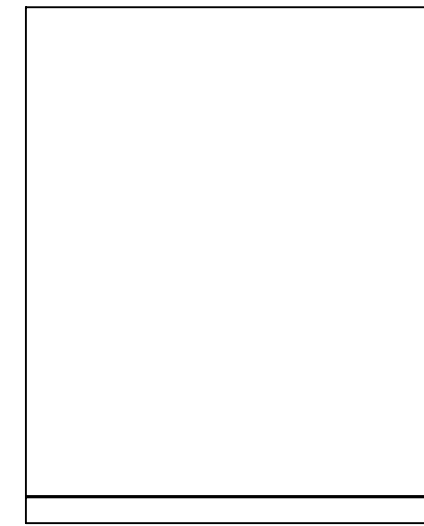
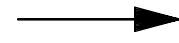
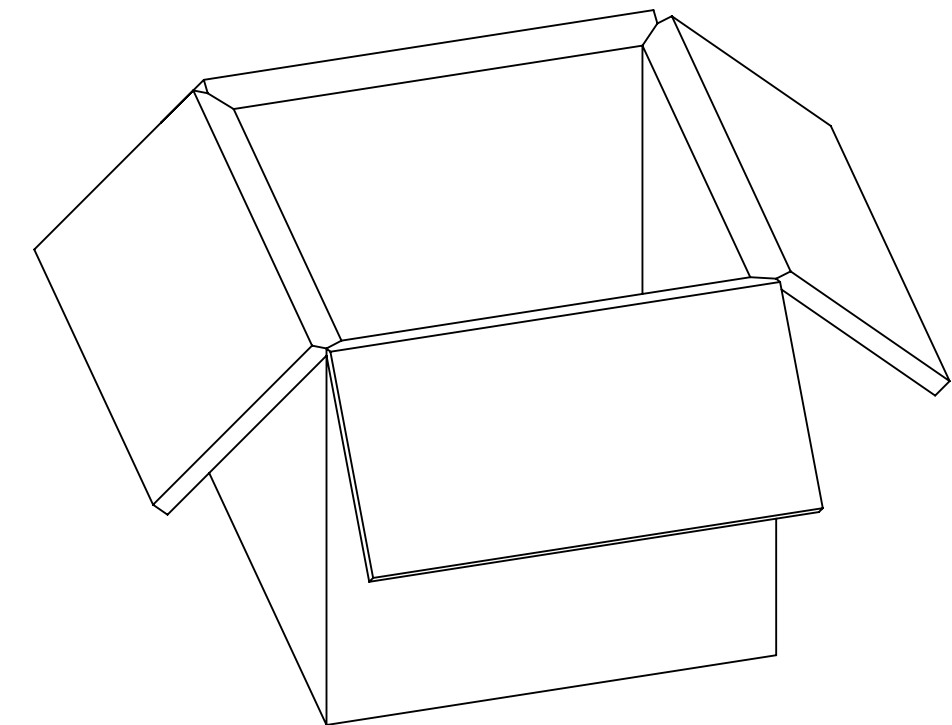


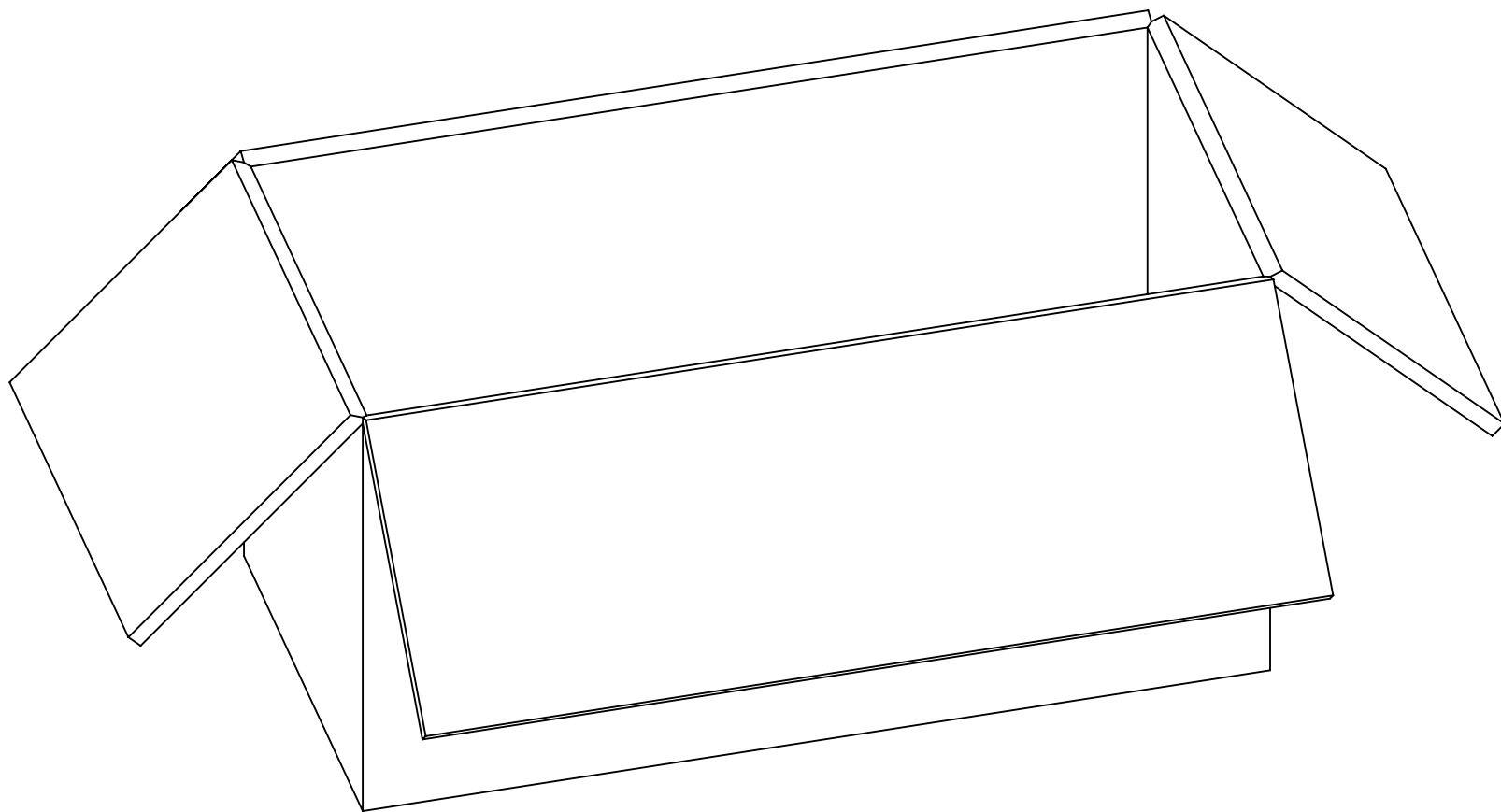
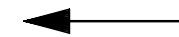
PRODUCT
P/N: XXXXX-XXXX



500 SETS PER BAG



2000 SETS PER INNER CARTON BOX



4000 SETS PER OUTER CARTON BOX

THIS DRAWING CONTAINS INFORMATION THAT IS PROPRIETARY TO MOLEX ELECTRONIC TECHNOLOGIES, LLC AND SHOULD NOT BE USED WITHOUT WRITTEN PERMISSION

DIMENSION UNITS		SCALE		CURRENT REV DESC: NEW RELEASE PER EWR #15848-B			molex		
mm		NTS							
GENERAL TOLERANCES (UNLESS SPECIFIED)							PACKAGING SPEC 89707-0001 (DU 4000) EWR-15848		
ANGULAR TOL ± °				EC NO: 750290			PRODUCT CUSTOMER DRAWING		
4 PLACES ±				DRWN: RYEH 2023/05/18			DOCUMENT NUMBER		
3 PLACES ±				CHK'D: YCHENG 2023/05/24			895420161		
2 PLACES ±				APPR: YCHENG 2023/05/24			PSD 000 A		
1 PLACE ±				INITIAL REVISION:			DOC TYPE DOC PART REVISION		
0 PLACES ±				DRWN: RYEH 2023/05/18			1		
APPR: YCHENG 2023/05/24				MATERIAL NUMBER			SHEET NUMBER		
DRAFT WHERE APPLICABLE MUST REMAIN WITHIN DIMENSIONS				THIRD ANGLE PROJECTION		DRAWING		SERIES	
						C-SIZE		89542	
				MATERIAL NUMBER		CUSTOMER		1 OF 1	
				895420161					

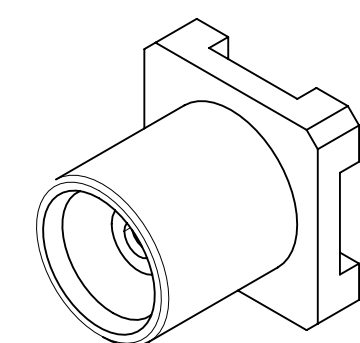
DOCUMENT STATUS	P1	RELEASE DATE	2023/05/24	11:34:24
-----------------	----	--------------	------------	----------

MATERIALS & FINISHES:

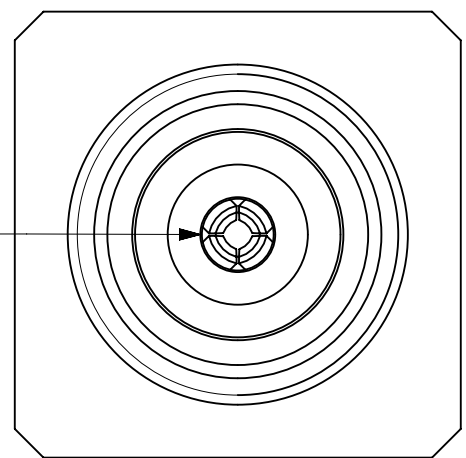
BODY: BRASS
PLATING SEE TABLE

CONTACT: BERYLLIUM COPPER
GOLD (30µ-in MIN)

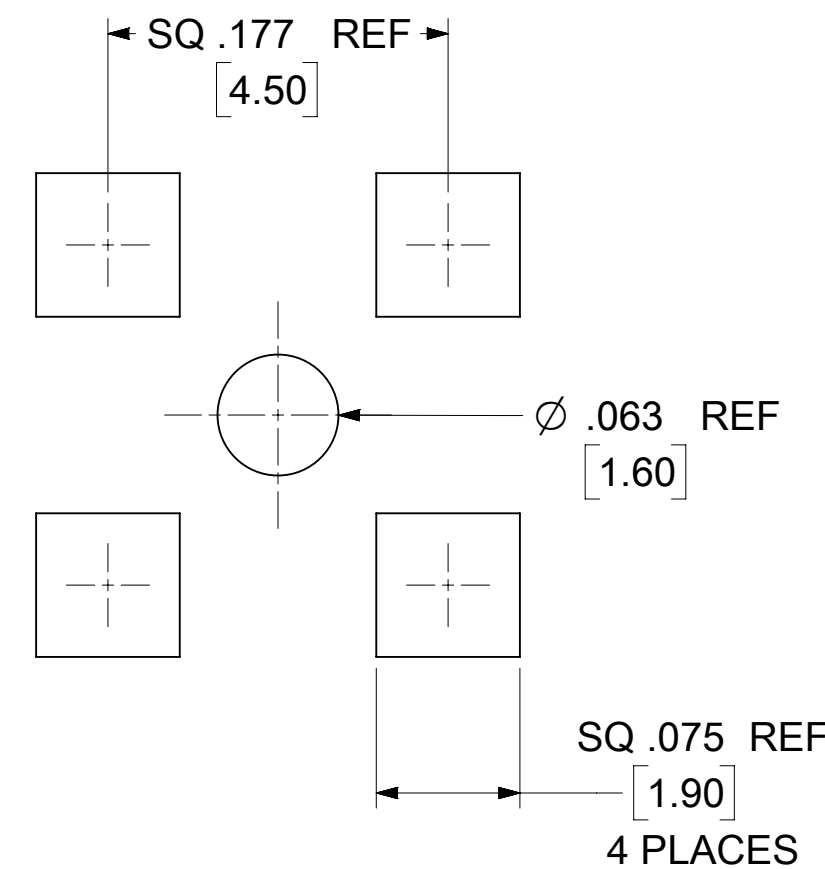
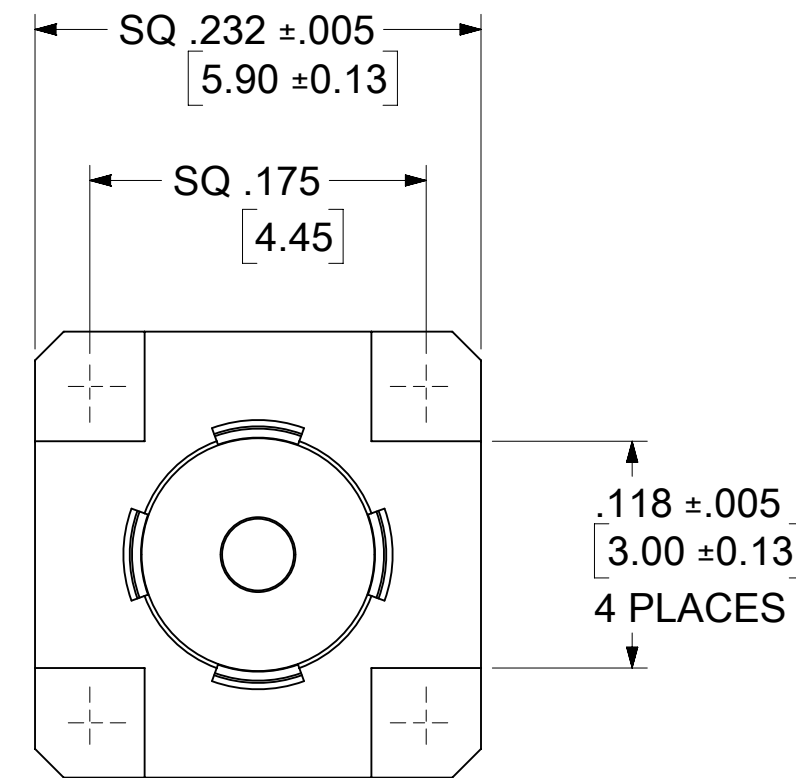
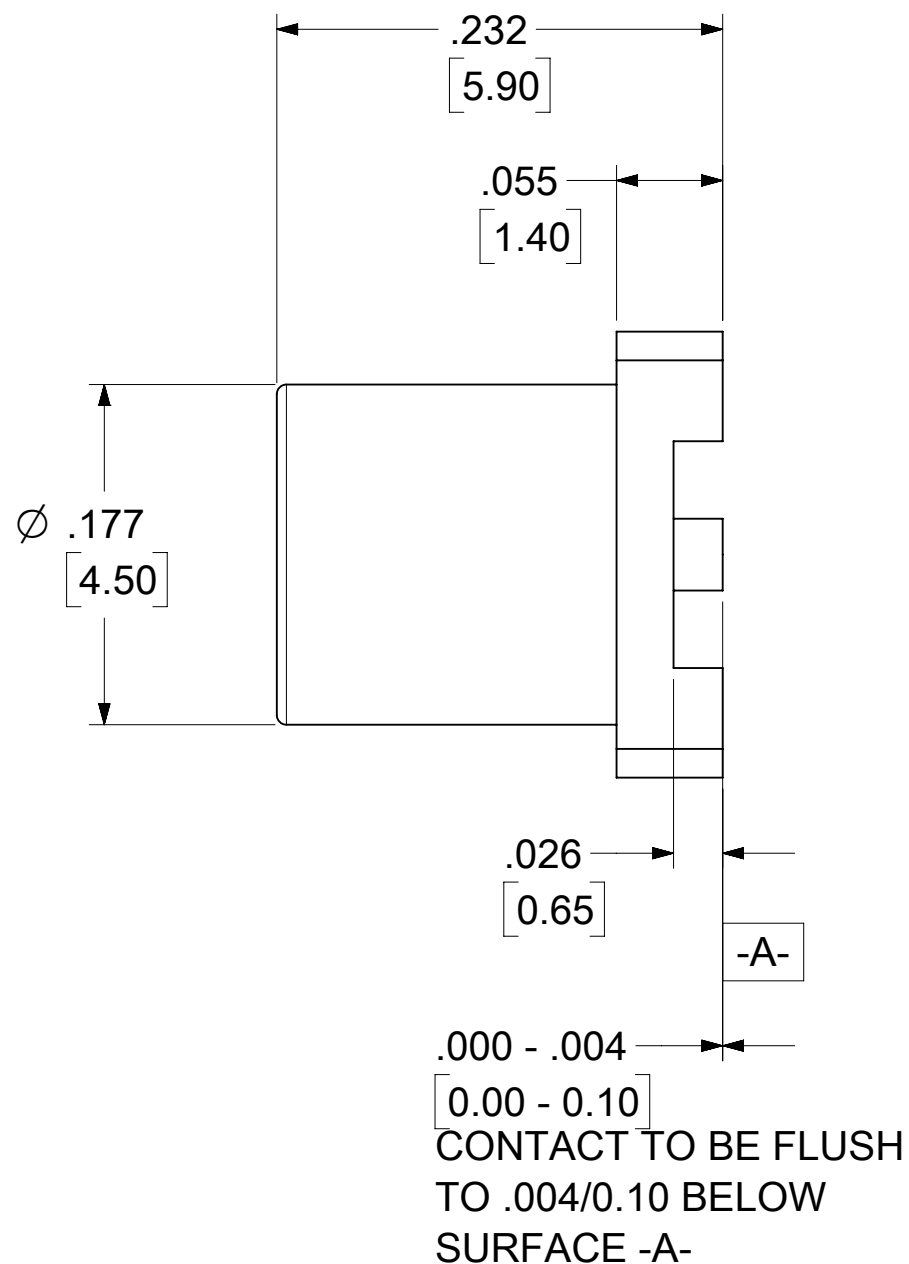
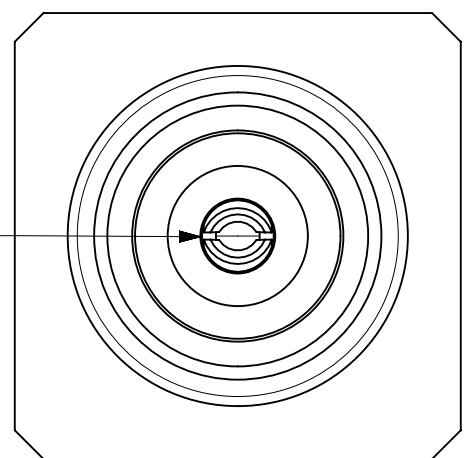
INSULATOR: TEFLON



NOTE:
 73415-1696 & 73415-1697
 WITH 4 SLOTS CONTACT



NOTE:
 73415-1690 & 73415-1691 &
 73415-1692 & 73415-1693 &
 73415-1694 & 73415-1695 &
 73415-1698 & 73415-1699 &
 73366-6510
 WITH 2 SLOTS CONTACT



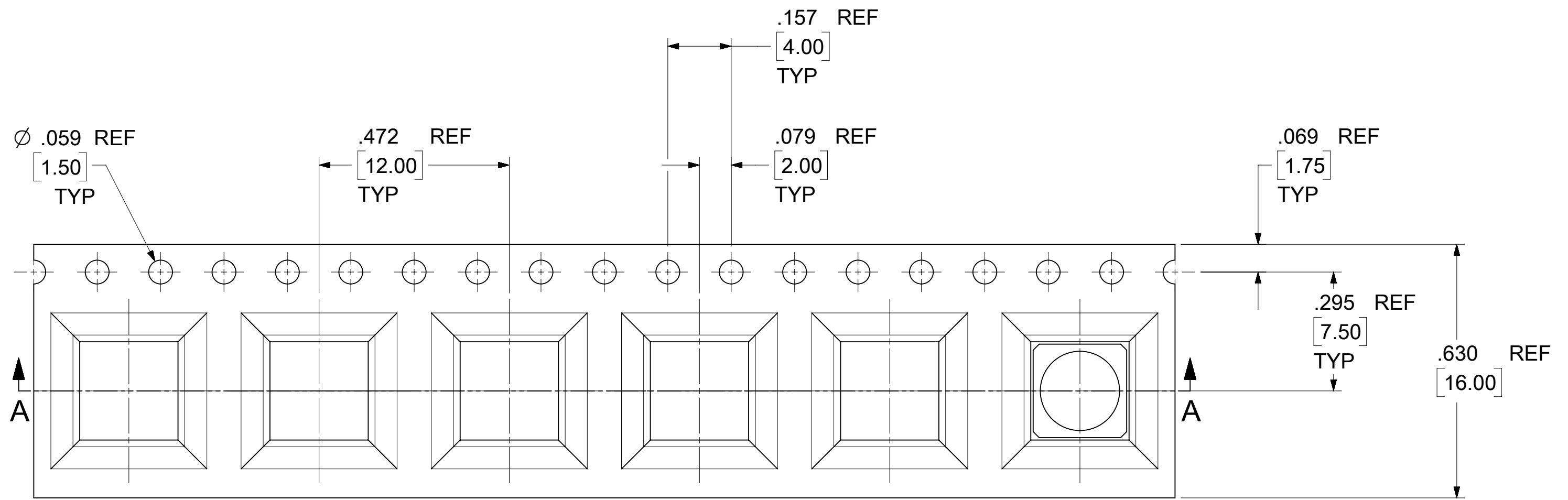
RECOMMENDED MOUNTING PATTERN

73366-6510	GOLD (1µ-in MIN)	2 SLOTS	73415-1691 TAPE & REEL WITH KAPTON	750 PCS PER REEL	SHEET 2, 3 & 4
73415-1699	GOLD (1µ-in MIN)	2 SLOTS	73416-1691 ONE PER BAG	1 PCS PER BAG	895420089
73415-1698	GOLD (30µ-in MIN)	2 SLOTS	73415-1698 TAPE & REEL WITH KAPTON	750 PCS PER REEL	SHEET 2, 3 & 4
73415-1697	GOLD (1µ-in MIN)	4 SLOTS	73415-1696 TAPE & REEL WITH KAPTON	750 PCS PER REEL	SHEET 2, 3 & 4
73415-1696	GOLD (1µ-in MIN)	4 SLOTS	73415-1696 BAG	500 PCS PER BAG	895420601
73415-1695	NICKEL	2 SLOTS	73415-1690 TAPE & REEL WITH KAPTON	750 PCS PER REEL	SHEET 2, 3 & 4
73415-1694	GOLD (1µ-in MIN)	2 SLOTS	73416-1691 SMALL TRAY	20 PCS PER TRAY	895420200
73415-1693	NICKEL	2 SLOTS	73415-1690 SMALL TRAY	20 PCS PER TRAY	895420200
73415-1692	GOLD (1µ-in MIN)	2 SLOTS	73415-1691 TAPE & REEL WITH KAPTON	750 PCS PER REEL	SHEET 2, 3 & 4
73415-1691	GOLD (1µ-in MIN)	2 SLOTS	73415-1691 BAG	500 PCS PER BAG	895420161
73415-1690	NICKEL	2 SLOTS	73415-1690 BAG	500 PCS PER BAG	895420161
PART NO.	BODY PLATING	CONTACT	DESCRIPTION	QUANTITY	PACKING SPEC

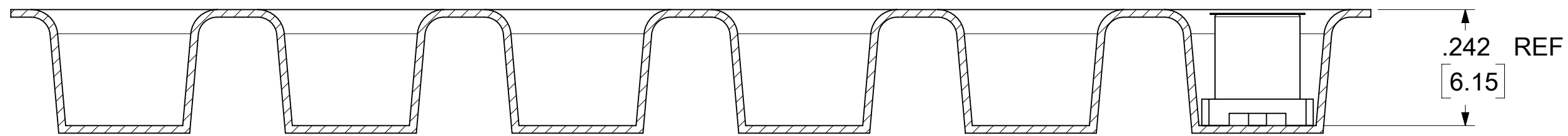
PS-89675-183	ELEC/MECH PERFORMANCE
SPECIFICATION	DESCRIPTION

THIS DRAWING CONTAINS INFORMATION THAT IS PROPRIETARY TO MOLEX ELECTRONIC TECHNOLOGIES, LLC AND SHOULD NOT BE USED WITHOUT WRITTEN PERMISSION

DIMENSION UNITS	SCALE	CURRENT REV DESC: ADD PACKING SPEC PER EWR #15848-A	molex		
INCH/MM	NTS				
GENERAL TOLERANCES (UNLESS SPECIFIED)			MCX PCB/SMT JACK 50 OHM MCX-J/PCB/SMT EWR-1148		
4 PLACES	±	±	PRODUCT CUSTOMER DRAWING		
3 PLACES	±	± 0.01	DOCUMENT NUMBER		
2 PLACES	±	0.25	SD-73415-169		
1 PLACE	±	±	DOC TYPE	DOC PART	REVISION
0 PLACES	±	±	PSD	001	B7
ANGULAR TOL	±	2.0 °	MATERIAL NUMBER	CUSTOMER	SHEET NUMBER
DRAFT WHERE APPLICABLE MUST REMAIN WITHIN DIMENSIONS	THIRD ANGLE PROJECTION	DRAWING	SEE TABLE	GENERAL MARKET	1 OF 4
		C-SIZE	SERIES		
			73415		



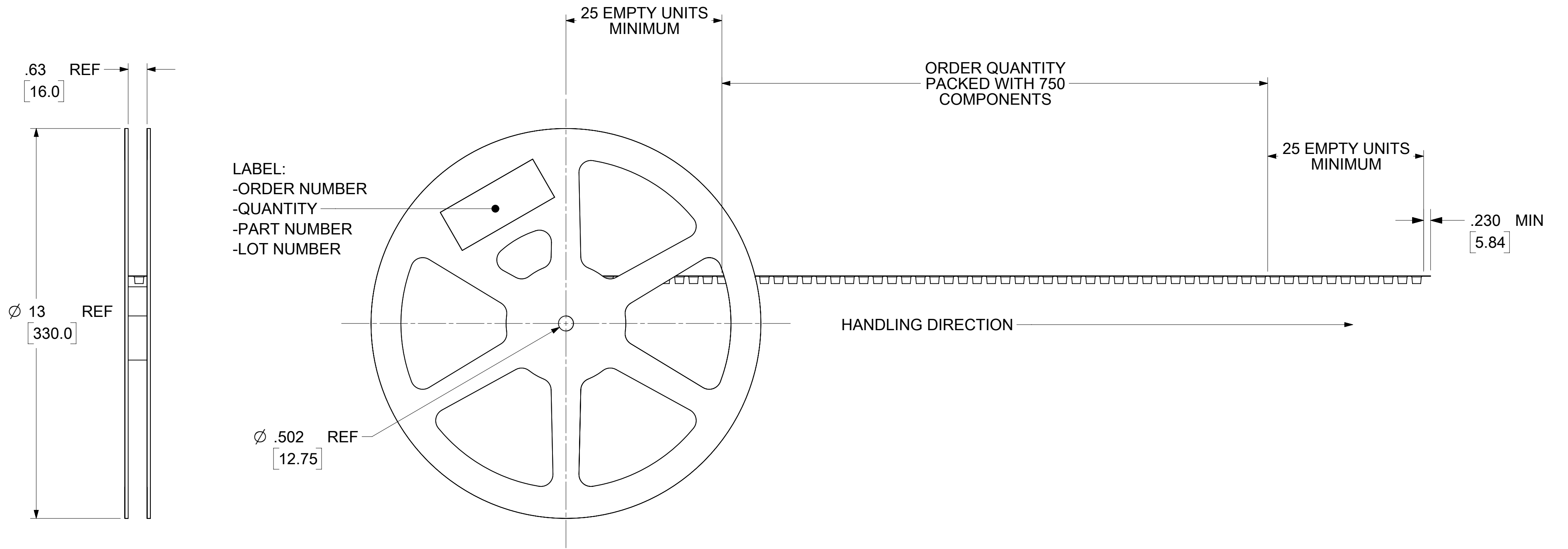
VIEWS FOR 73415-1692 & 73415-1695 & 73415-1697 & 73415-1698 & 73366-6510



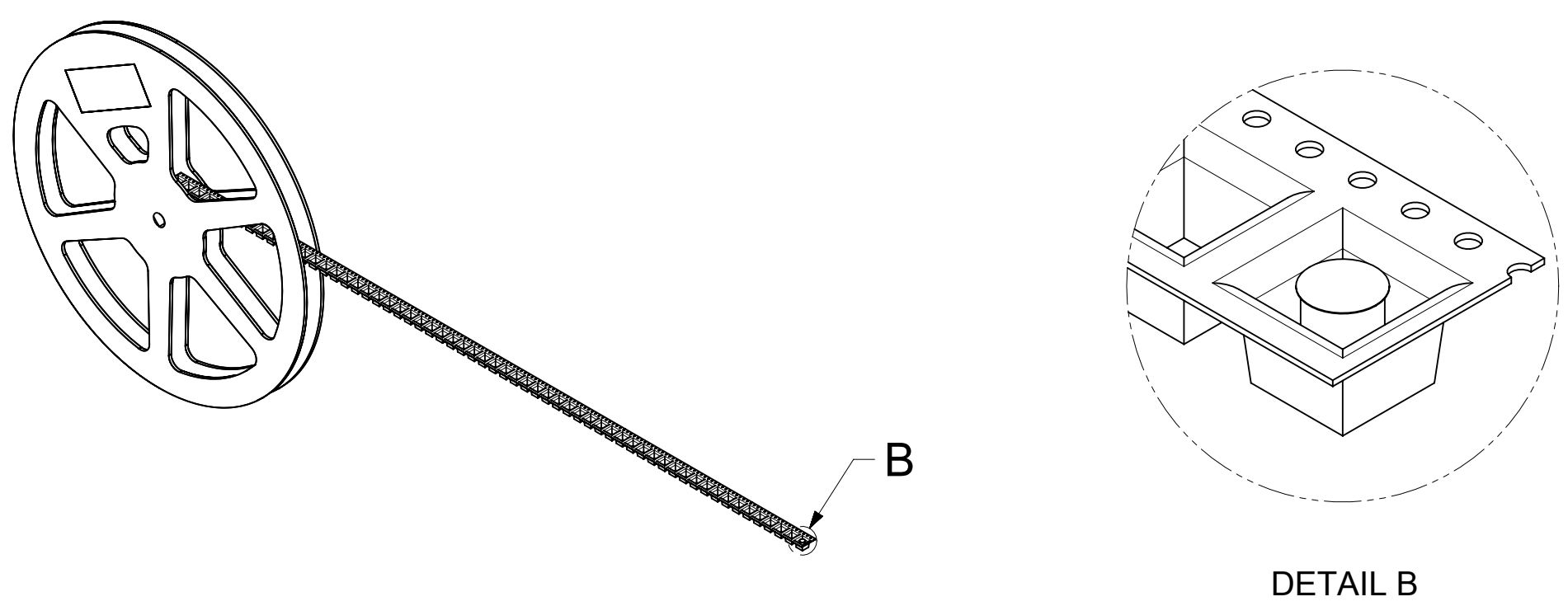
SECTION A-A

THIS DRAWING CONTAINS INFORMATION THAT IS PROPRIETARY TO MOLEX ELECTRONIC TECHNOLOGIES, LLC AND SHOULD NOT BE USED WITHOUT WRITTEN PERMISSION											
DIMENSION UNITS INCH/MM		SCALE NTS		CURRENT REV DESC: ADD PACKING SPEC PER EWR #15848-A			molex				
GENERAL TOLERANCES (UNLESS SPECIFIED)				EC NO: 750290							
		MM	INCH	DRWN: RYEH 2023/05/10			MCX PCB/SMT JACK 50 OHM				
4 PLACES ±				CHK'D: YCHENG 2023/05/24			MCX-J/PCB/SMT EWR-1148				
3 PLACES ±			0.01	APPR: YCHENG 2023/05/24			PRODUCT CUSTOMER DRAWING				
2 PLACES ±		0.25		INITIAL REVISION:			DOCUMENT NUMBER				
1 PLACE ±				DRWN: YCHENG 2007/02/08			SD-73415-169				
0 PLACES ±				APPR: MHUANG 2007/02/09			PSD 001 B7				
ANGULAR TOL ± 2.0 °					THIRD ANGLE PROJECTION		MATERIAL NUMBER		DOC TYPE	DOC PART	REVISION
DRAFT WHERE APPLICABLE MUST REMAIN WITHIN DIMENSIONS					DRAWING C-SIZE		SERIES 73415		CUSTOMER	SHEET NUMBER	
							SEE TABLE		GENERAL MARKET		2 OF 4

DOCUMENT STATUS	P1	RELEASE DATE	2023/05/24 11:34:23
-----------------	----	--------------	---------------------



VIEWS FOR 73415-1692 & 73415-1695 & 73415-1697 & 73415-1698 & 73366-6510

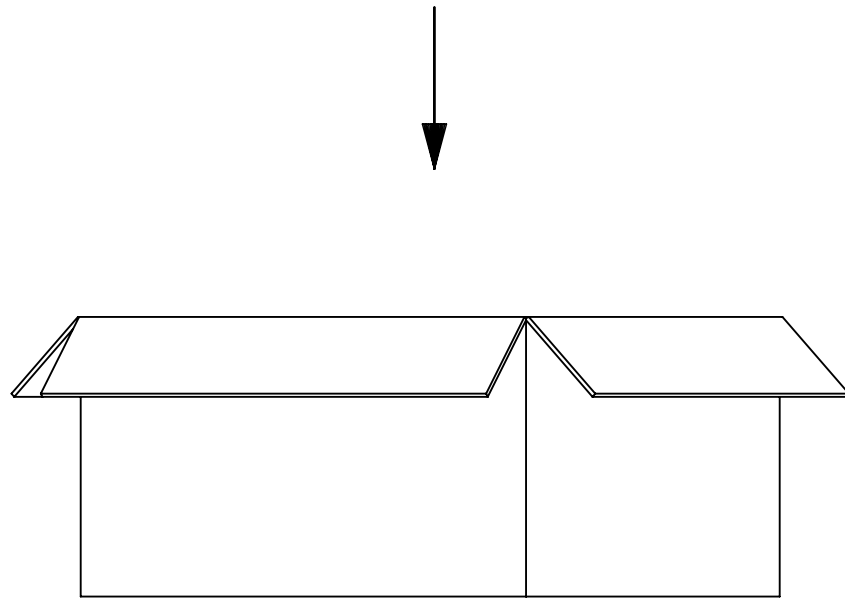


THIS DRAWING CONTAINS INFORMATION THAT IS PROPRIETARY TO MOLEX ELECTRONIC TECHNOLOGIES, LLC AND SHOULD NOT BE USED WITHOUT WRITTEN PERMISSION									
DIMENSION UNITS INCH/MM		SCALE NTS		CURRENT REV DESC: ADD PACKING SPEC PER EWR #15848-A			molex		
GENERAL TOLERANCES (UNLESS SPECIFIED)		EC NO: 750290			MCX PCB/SMT JACK 50 OHM MCX-J/PCB/SMT EWR-1148				
		MM	INCH	DRWN: RYEH 2023/05/10			PRODUCT CUSTOMER DRAWING		
4 PLACES		±	±	CHK'D: YCHENG 2023/05/24			DOCUMENT NUMBER		
3 PLACES		±	± 0.01	APPR: YCHENG 2023/05/24			SD-73415-169		
2 PLACES		± 0.25	±	INITIAL REVISION:			DOC TYPE DOC PART REVISION		
1 PLACE		±	±	DRWN: YCHENG 2007/02/08			PSD 001 B7		
0 PLACES		±	±	APPR: MHUANG 2007/02/09			MATERIAL NUMBER CUSTOMER SHEET NUMBER		
ANGULAR TOL		± 2.0 °		THIRD ANGLE PROJECTION		DRAWING		SERIES	
DRAFT WHERE APPLICABLE MUST REMAIN WITHIN DIMENSIONS				C-SIZE		73415		SEE TABLE GENERAL MARKET 3 OF 4	

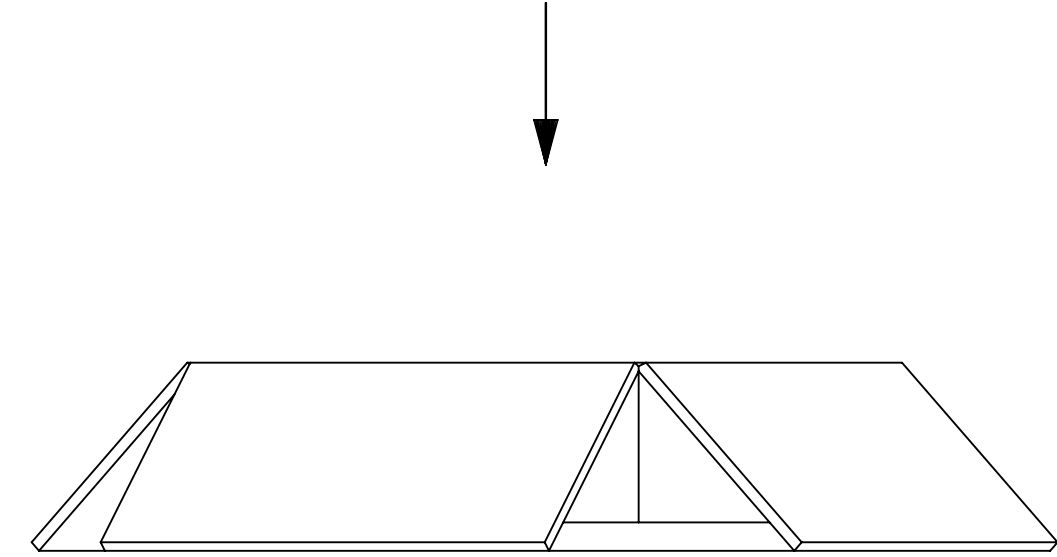
DOCUMENT STATUS	P1	RELEASE DATE	2023/05/24	11:34:23
-----------------	----	--------------	------------	----------

73415-1698	73415-1698 TAPE & REEL WITH KAPTON	750 PCS	6000 PCS
73415-1697	73415-1696 TAPE & REEL WITH KAPTON	750 PCS	6000 PCS
73415-1695	73415-1690 TAPE & REEL WITH KAPTON	750 PCS	6000 PCS
73415-1692	73415-1691 TAPE & REEL WITH KAPTON	750 PCS	6000 PCS
PART NO.	DESCRIPTION	QTY/REEL	QTY/CARTON

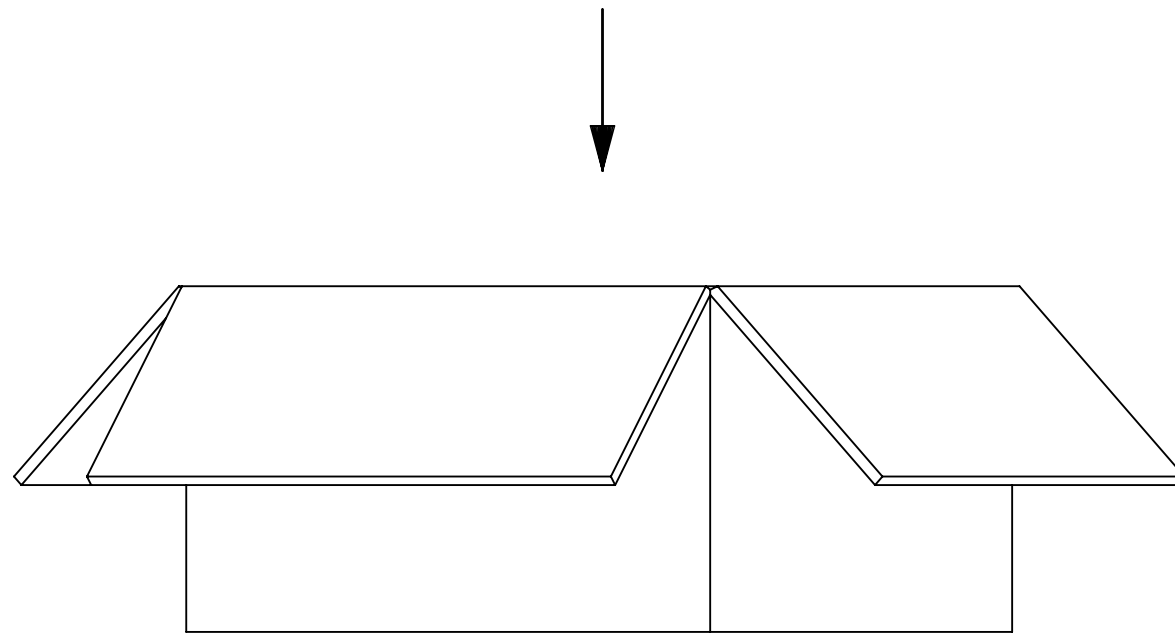
73366-6510	73415-1691 TAPE & REEL WITH KAPTON	750 PCS	750 PCS
PART NO.	DESCRIPTION	QTY/REEL	QTY/CARTON



8 REELS PER INNER CARTON BOX
(8 X 750 = 6000 PCS)



1 REEL PER CARTON BOX
(1 X 750 = 750 PCS)



8 REELS PER OUTER CARTON BOX
(8 X 750 = 6000 PCS)

THIS DRAWING CONTAINS INFORMATION THAT IS PROPRIETARY TO MOLEX ELECTRONIC TECHNOLOGIES, LLC AND SHOULD NOT BE USED WITHOUT WRITTEN PERMISSION

DIMENSION UNITS		SCALE		CURRENT REV DESC: ADD PACKING SPEC PER EWR #15848-A		molex				
INCH/MM		NTS								
GENERAL TOLERANCES (UNLESS SPECIFIED)				EC NO: 750290		MCX PCB/SMT JACK 50 OHM MCX-J/PCB/SMT EWR-1148				
		MM	INCH							
4 PLACES	±			DRWN: RYEH		PRODUCT CUSTOMER DRAWING				
3 PLACES	±		± 0.01	2023/05/10						
2 PLACES	±	0.25		CHK'D: YCHENG		DOCUMENT NUMBER				
1 PLACE	±			2023/05/24						SD-73415-169
0 PLACES	±			APPR: YCHENG		INITIAL REVISION:		PSD	001	B7
ANGULAR TOL		± 2.0 °		DRWN: YCHENG		2007/02/08		SHEET NUMBER		
DRAFT WHERE APPLICABLE MUST REMAIN WITHIN DIMENSIONS		THIRD ANGLE PROJECTION		APPR: MHUANG		2007/02/09		4 OF 4		
				DRAWING		SERIES		MATERIAL NUMBER		
				C-SIZE		73415		CUSTOMER		
								GENERAL MARKET		

DOCUMENT STATUS	P1	RELEASE DATE	2023/05/24	11:34:23
-----------------	----	--------------	------------	----------