

6

5

4

3

2

1

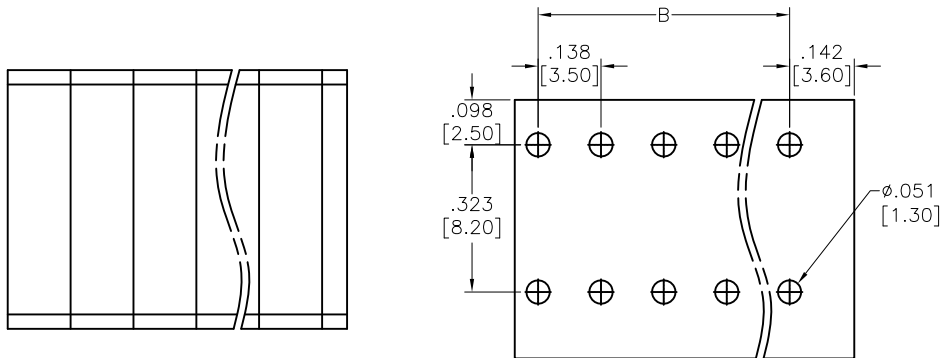
APPROVED: \_\_\_\_\_

DATE: \_\_\_\_\_ TITLE: \_\_\_\_\_

Rev	AWO #	Description	Date	Appr
-		RELEASED	11/26/18	

D

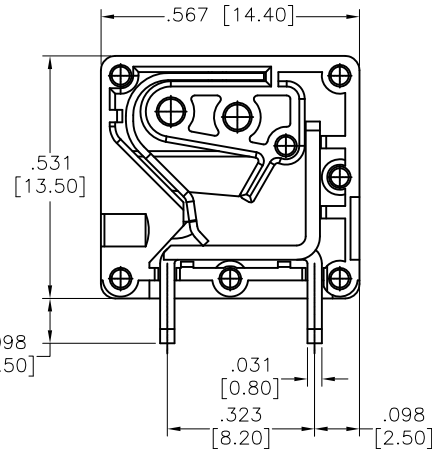
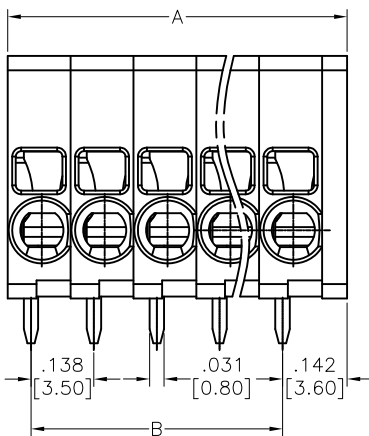
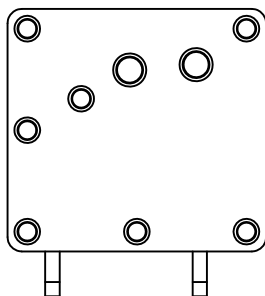
D



RECOMMENDED PCB LAYOUT

C

C



WITHOUT COVER

B

B

**SPECIFICATIONS:**

Material:  
 Insulator: PA, rated UL 94V-0  
 Insulator color: Green  
 Contact: Copper Alloy  
 Electrical:  
 Voltage rating: 300V  
 Current rating: 10A  
 Dielectric withstanding voltage: 1,600 VAC for 1 minute  
 Mechanical:  
 Strip length: 8~9mm  
 Wire Range: 24~16 AWG  
 Temperature Rating:  
 Operating temperature: -40°C to +105°C  
 Environmental:  
 Lead free, RoHS compliant.



Positions: 01 thru XX  
 A= .138 [3.50] x No. of Positions + .055 [1.40]  
 B= .138 [3.50] x No. of Spaces

UNLESS OTHERWISE SPECIFIED ALL DIMENSIONS ARE MM [INCHES] TOLERANCES: EXCEPT AS NOTED INCHES HOLES .X ± .10 Ø.X ± .10 .XX ± .020 Ø.XX ± .015 .XXX ± .015 Ø.XXX ± .010		<b>ADAM TECH</b> INTERCONNECTS 909 Rahway Avenue, Union, NJ 07083 Phone: 908-687-5000 Fax: 908-687-5710	
APPROVALS		DATE	
DRAWN	AY	11/26/18	
CHECKED	AC	11/26/18	
APPROVED			
TITLE EURO BLOCK, .138 [3.50] PITCH, HORIZONTAL			
SIZE X	PART NO. EB163A-XX-A	REV. -	
REF: S00067C	SCALE: NTS	SHEET 1 OF 1	

A

6

5

4

3

2

1