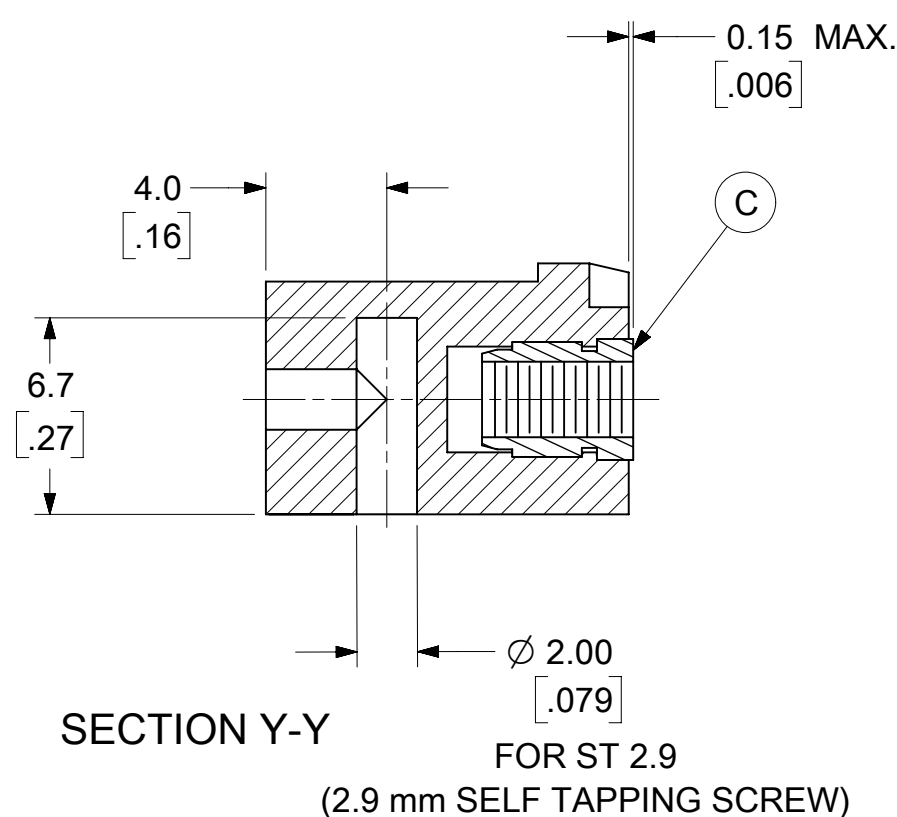
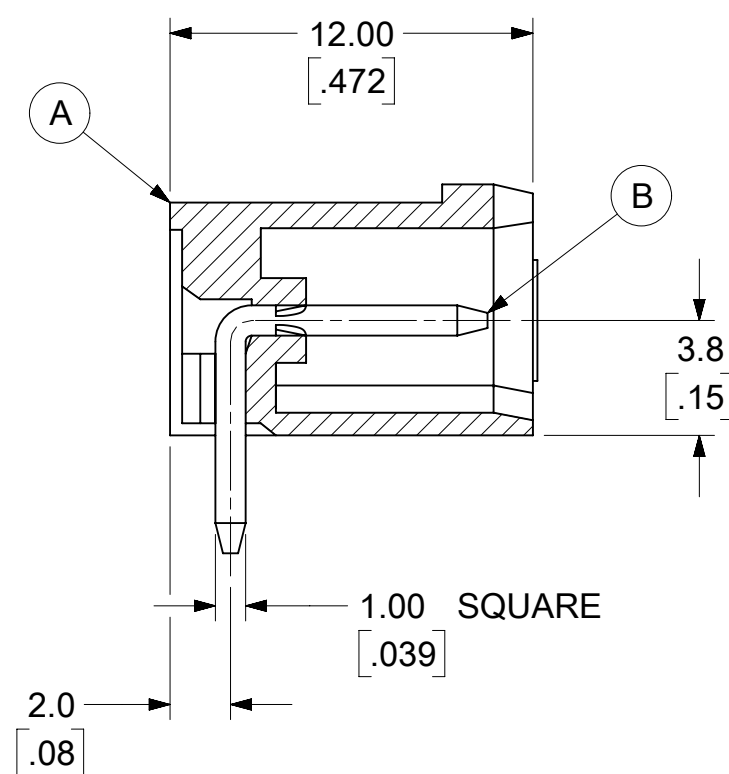


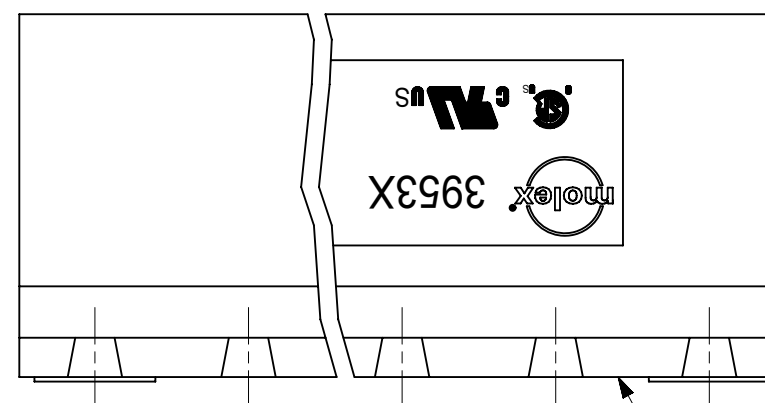
PCB LAYOUT



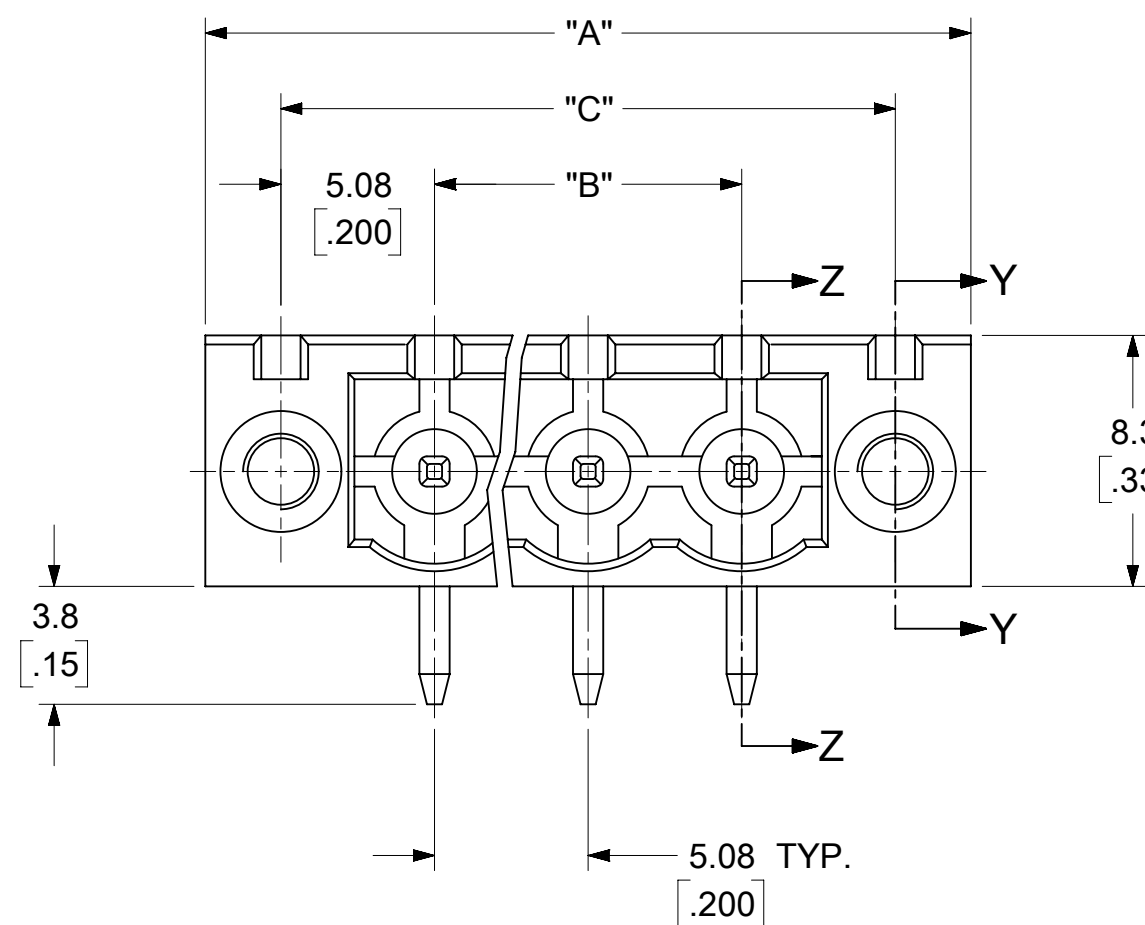
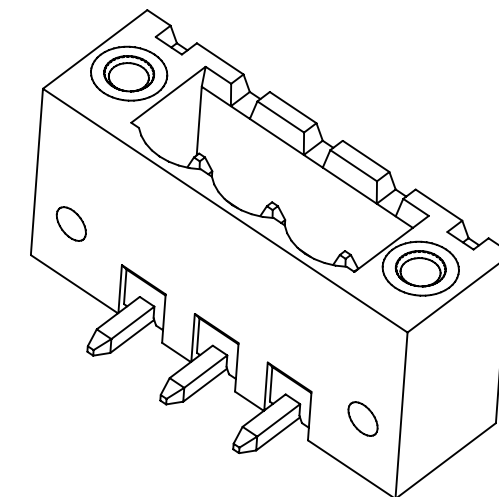
SECTION Y-Y  
FOR ST 2.9  
(2.9 mm SELF TAPPING SCREW)



SECTION Z-Z



MATING SIDE



**SPECIFICATIONS:**

1. MATERIAL:

- (A). BODY: PA66 (UL94-V0)
- (B). PIN MATERIAL: BRASS

PIN FINISH:

- TIN - 3 µm (118 µin) MIN MATTE TIN
- OVER 2 µm (79 µin) MIN NICKEL
- GOLD - 0.76 µm (30 µin) MIN GOLD IN
- CONTACT AREA, 3 µm (118 µin) MIN
- MATTE TIN IN SOLDER AREA.
- 2 µm (79 µin) MIN NICKEL UNDERPLATE

(C). THREADED INSERT: BRASS

- 2. ELECTRICAL RATING: 300V, 18A (PER UL)
- 3. OPERATING TEMPERATURE: -40°C to +115°C.
- 4. INSULATION RESISTANCE: DC 500V, 500MΩ.
- 5. DIELECTRIC WITHSTAND: AC 2500V FOR 1 MINUTE.
- 6. BREAKDOWN VOLTAGE : 4000V.

TOLERANCES			
MM	TOL	INCH	TOL
0-6	±0.25	0-.24	±.010
>6-30	±0.40	.24-1.18	±.016
>30-120	±0.50	1.18-4.76	±.020
>120	±0.80	>4.76	±.031

FUNCTIONAL SYMBOLS	THIS DRAWING CONTAINS INFORMATION THAT IS PROPRIETARY TO MOLEX ELECTRONIC TECHNOLOGIES, LLC AND SHOULD NOT BE USED WITHOUT WRITTEN PERMISSION														
	DIMENSION UNITS		SCALE		CURRENT REV DESC: MODIFIED SPECIFICATIONS										
	MM/INCH		4:1		EC NO: 735568 DRWN: ABENJAMINLW 2023/01/09 CHK'D: DACHAMMER 2023/01/17 APPR: JFMURPHY 2023/01/27										
	GENERAL TOLERANCES (UNLESS SPECIFIED)														
DIVISIONAL SYMBOLS	4 PLACES		± --- ± ---		INITIAL REVISION: DRWN: LROTHAUS 2006/01/09 APPR: JPAWLICK 2006/01/10										
	3 PLACES		± --- ± SEE CHART												
	2 PLACES		± SEE CHART ± SEE CHART												
	1 PLACE		± SEE CHART ± ---												
0 PLACES		± --- ± ---		ANGULAR TOL		± ---		DOCUMENT NUMBER <b>SD-39536-002</b>		DOC TYPE PSD	DOC PART 001	REVISION C3			
DRAFT WHERE APPLICABLE MUST REMAIN WITHIN DIMENSIONS				THIRD ANGLE PROJECTION		DRAWING		SERIES		MATERIAL NUMBER		CUSTOMER		SHEET NUMBER	
						C-SIZE		39536		SEE SHEET-2		GENERAL MARKET		1 OF 2	

DOCUMENT STATUS	P1	RELEASE DATE	2023/01/27	16:26:37
-----------------	----	--------------	------------	----------

