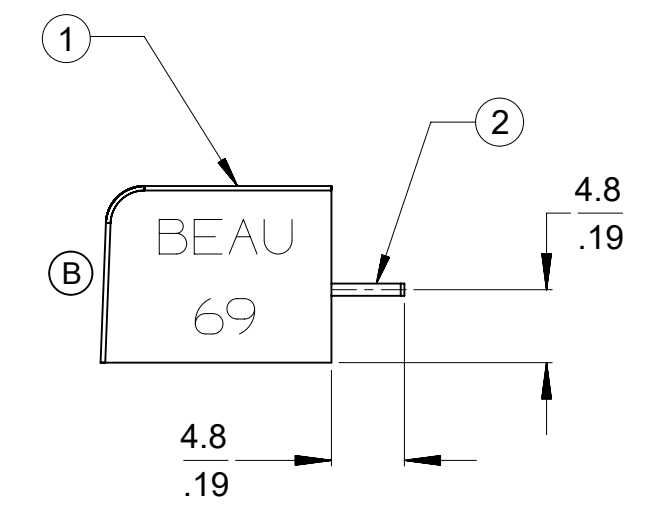
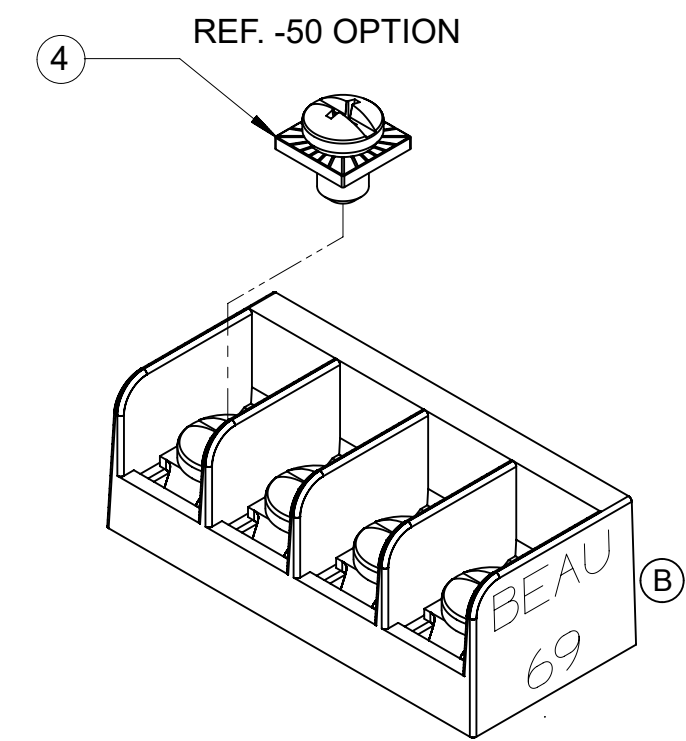
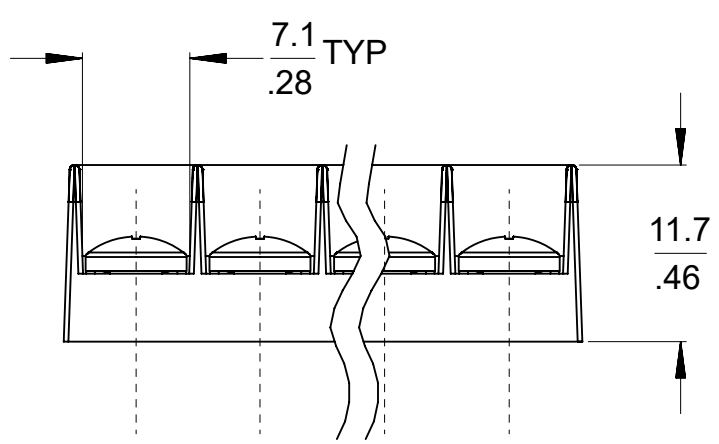
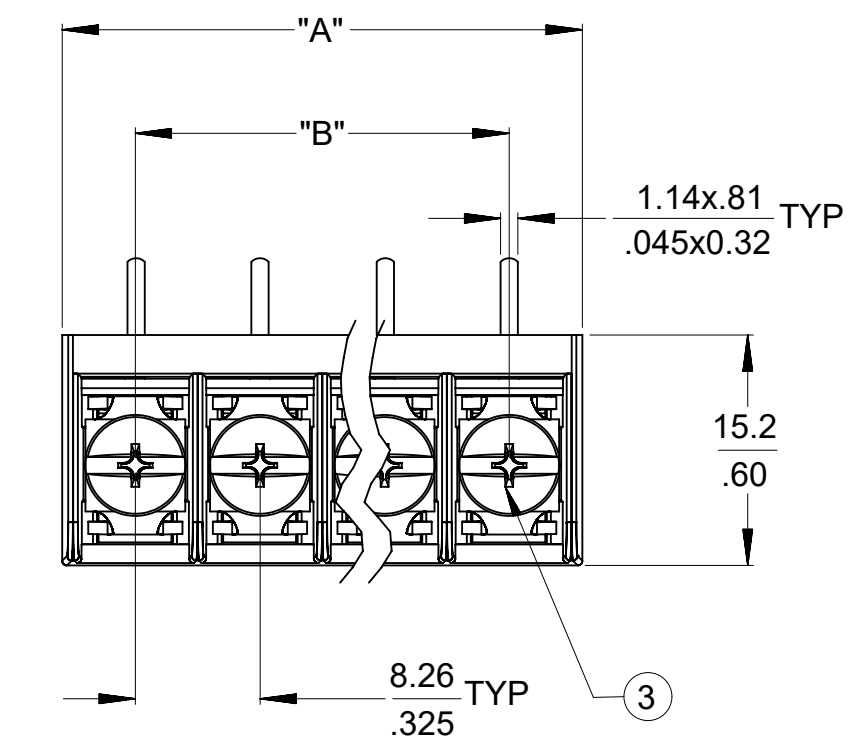


| NO. OF CIRCUITS | DIM. "A" | | DIM. "B" | | ASSEMBLY MATERIAL NO. (STANDARD) | ASSEMBLY MATERIAL NO. (-50 OPT) |
|-----------------|----------|-------|----------|-------|----------------------------------|---------------------------------|
| | mm | in | mm | in | | |
| 02 | 17.9 | .71 | 8.3 | .33 | 386915302 | |
| 03 | 26.2 | 1.03 | 16.5 | .65 | 386915303 | 386915903 |
| 04 | 34.4 | 1.36 | 24.8 | .98 | 386915304 | 386915904 |
| 05 | 42.7 | 1.68 | 33.0 | 1.30 | 386915305 | 386915905 |
| 06 | 50.9 | 2.01 | 41.3 | 1.63 | 386915306 | |
| 07 | 59.2 | 2.33 | 49.5 | 1.95 | 386915307 | 386915907 |
| 08 | 67.4 | 2.66 | 57.8 | 2.28 | 386915308 | 386915908 |
| 09 | 75.7 | 2.98 | 66.0 | 2.60 | 386915309 | 386915909 |
| 10 | 83.9 | 3.31 | 74.3 | 2.93 | 386915310 | 386915910 |
| 11 | 92.2 | 3.63 | 82.6 | 3.25 | 386915311 | 386915911 |
| 12 | 100.5 | 3.96 | 90.8 | 3.58 | 386915312 | 386915912 |
| 13 | 108.7 | 4.28 | 99.1 | 3.90 | 386915313 | 386915913 |
| 14 | 117.0 | 4.61 | 107.3 | 4.23 | 386915314 | 386915914 |
| 15 | 125.2 | 4.93 | 115.6 | 4.55 | 386915315 | 386915915 |
| 16 | 133.5 | 5.26 | 123.8 | 4.88 | 386915316 | 386915916 |
| 17 | 141.7 | 5.58 | 132.1 | 5.20 | 386915317 | 386915917 |
| 18 | 150.0 | 5.91 | 140.3 | 5.53 | 386915318 | 386915918 |
| 19 | 158.2 | 6.23 | 148.6 | 5.85 | 386915319 | 386915919 |
| 20 | 166.5 | 6.56 | 156.8 | 6.18 | 386915320 | 386915920 |
| 21 | 174.8 | 6.88 | 165.1 | 6.50 | 386915321 | 386915921 |
| 22 | 183.0 | 7.21 | 173.4 | 6.83 | 386915322 | 386915922 |
| 23 | 191.3 | 7.53 | 181.6 | 7.15 | 386915323 | 386915923 |
| 24 | 199.5 | 7.86 | 189.9 | 7.48 | 386915324 | 386915924 |
| 25 | 207.8 | 8.18 | 198.1 | 7.80 | 386915325 | 386915925 |
| 26 | 216.0 | 8.51 | 206.4 | 8.13 | 386915326 | 386915926 |
| 27 | 224.3 | 8.83 | 214.6 | 8.45 | 386915327 | 386915927 |
| 28 | 232.5 | 9.16 | 222.9 | 8.78 | 386915328 | 386915928 |
| 29 | 240.8 | 9.48 | 231.1 | 9.10 | 386915329 | 386915929 |
| 30 | 249.0 | 9.81 | 239.4 | 9.43 | 386915330 | 386915930 |
| 31 | 257.3 | 10.13 | 247.7 | 9.75 | 386915331 | 386915931 |
| 32 | 265.6 | 10.46 | 255.9 | 10.08 | 386915332 | 386915932 |

- NOTES:
1. MATERIAL: SEE TABLE
2. FINISHES: SEE TABLE.
3. "XX" REFERS TO THE QUANTITY OF CIRCUITS.
4. ROHS COMPLIANT.

| ITEM | QTY. | DESCRIPTION | MATERIAL | FINISH |
|------|------|--|-----------------|--------------------|
| 4 | XX | SCREW #6-32X.155 PAN PHSLZN/BR/STEEL -50 OPT | STEEL | ZN, CLEAR CHROMATE |
| 3 | XX | SCREW #6-32X.160 PAN PHSLNI/BRASS (STD) (B) | BRASS | NICKEL PLATE |
| 2 | XX | TERMINAL, PC | BRASS | TIN PLATE |
| 1 | 1 | INSULATOR | POLYESTER (PBT) | BLACK |

| | | | | |
|-----------------|----|--------------|------------|----------|
| DOCUMENT STATUS | P1 | RELEASE DATE | 2021/08/06 | 10:25:56 |
|-----------------|----|--------------|------------|----------|



THIS DRAWING CONTAINS INFORMATION THAT IS PROPRIETARY TO MOLEX ELECTRONIC TECHNOLOGIES, LLC AND SHOULD NOT BE USED WITHOUT WRITTEN PERMISSION

| | | | |
|--|--------|------------------------|---|
| DIMENSION UNITS | SCALE | CURRENT REV | DESC: OBSOLETE PART NUMBERS AS PER PCN 508518 |
| MM/IN | 2:1 | | |
| GENERAL TOLERANCES (UNLESS SPECIFIED) | | | |
| | MM | INCH | |
| 4 PLACES | ± | ± | |
| 3 PLACES | ± | ± 0.005 | |
| 2 PLACES | ± 0.13 | ± 0.01 | |
| 1 PLACE | ± 0.3 | ± | |
| 0 PLACES | ± | ± | |
| ANGULAR TOL | ± 2.0° | | |
| DRAFT WHERE APPLICABLE MUST REMAIN WITHIN DIMENSIONS | | THIRD ANGLE PROJECTION | DRAWING |
| | | | B-SIZE |
| | | SERIES | 38691 |
| | | MATERIAL NUMBER | SEE CHART |
| | | CUSTOMER | GENERAL MARKET |
| | | SHEET NUMBER | 1 OF 1 |

EC NO: 671087
DRWN: RPRABHUM
CHK'D: GGA
APPR: GGA

INITIAL REVISION:
DRWN: AHIDALGO
APPR: JMACNEIL

2021/05/31
2021/08/06
2021/08/06

2007/04/02
2007/04/02

molex

8.26/.325 SR TRI-BTS
RIGHT ANGLE TERMINAL NO MOUNTING ENDS

PRODUCT CUSTOMER DRAWING

DOCUMENT NUMBER: SD-38691-003
DOC TYPE: PSD
DOC PART: 001
REVISION: C