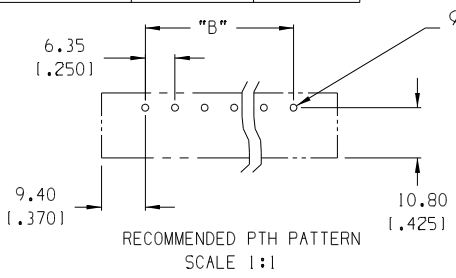
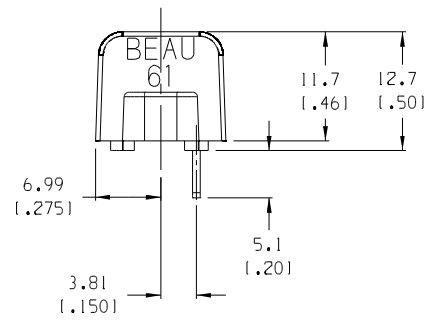
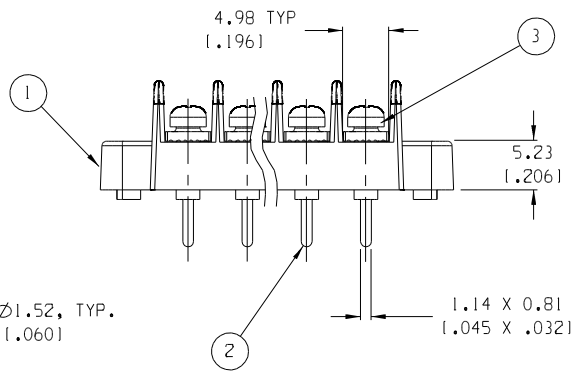
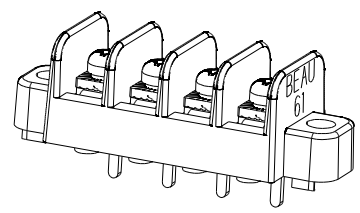
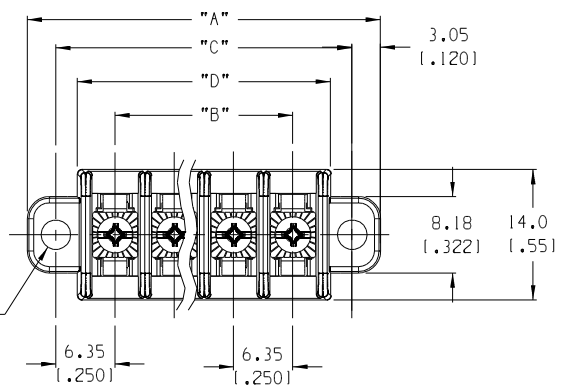


| | 10 | 9 | | 8 | | 7 | | 6 | 5 | 4 | 3 | 2 | 1 | |
|--------------------|----------|----------|--------|----------|--------|----------|-------|-----------------------|------------|---|---|---|---|--|
| QTY. OF CIRC. "XX" | DIM. "A" | DIM. "B" | | DIM. "C" | | DIM. "D" | | MATERIAL # (-50 OPT.) | | | | | | |
| F 02 | 25.1 | 1.991 | 6.35 | 1.2501 | 19.05 | 1.7501 | 14.4 | 1.571 | 38610-7602 | | | | | |
| 03 | 31.5 | 1.1.241 | 12.70 | 1.5001 | 25.40 | 1.1.0001 | 20.8 | 1.821 | 38610-7603 | | | | | |
| 04 | 37.8 | 1.1.491 | 19.05 | 1.7501 | 31.75 | 1.1.2501 | 27.1 | 1.1.071 | 38610-7604 | | | | | |
| 05 | 44.2 | 1.1.741 | 25.40 | 1.1.0001 | 38.10 | 1.1.5001 | 33.5 | 1.1.321 | 38610-7605 | | | | | |
| 06 | 50.5 | 1.1.991 | 31.75 | 1.1.2501 | 44.45 | 1.1.7501 | 39.8 | 1.1.571 | 38610-7606 | | | | | |
| 07 | 56.9 | 1.2.241 | 38.10 | 1.1.5001 | 50.80 | 1.2.0001 | 46.2 | 1.1.821 | 38610-7607 | | | | | |
| 08 | 63.2 | 1.2.491 | 44.45 | 1.1.7501 | 57.15 | 1.2.2501 | 52.5 | 1.2.071 | 38610-7608 | | | | | |
| 09 | 69.6 | 1.2.741 | 50.80 | 1.2.0001 | 63.50 | 1.2.5001 | 58.9 | 1.2.321 | 38610-7609 | | | | | |
| 10 | 75.9 | 1.2.991 | 57.15 | 1.2.2501 | 69.85 | 1.2.7501 | 65.2 | 1.2.571 | 38610-7610 | | | | | |
| E 11 | 82.3 | 1.3.241 | 63.50 | 1.2.5001 | 76.20 | 1.3.0001 | 71.6 | 1.2.821 | 38610-7611 | | | | | |
| 12 | 88.6 | 1.3.491 | 69.85 | 1.2.7501 | 82.55 | 1.3.2501 | 77.9 | 1.3.071 | 38610-7612 | | | | | |
| 13 | 95.0 | 1.3.741 | 76.20 | 1.3.0001 | 88.90 | 1.3.5001 | 84.3 | 1.3.321 | 38610-7613 | | | | | |
| 14 | 101.3 | 1.3.991 | 82.55 | 1.3.2501 | 95.25 | 1.3.7501 | 90.6 | 1.3.571 | 38610-7614 | | | | | |
| 15 | 107.7 | 1.4.241 | 88.90 | 1.3.5001 | 101.60 | 1.4.0001 | 97.0 | 1.3.821 | 38610-7615 | | | | | |
| 16 | 114.0 | 1.4.491 | 95.25 | 1.3.7501 | 107.95 | 1.4.2501 | 103.3 | 1.4.071 | 38610-7616 | | | | | |
| 17 | 120.4 | 1.4.741 | 101.60 | 1.4.0001 | 114.30 | 1.4.5001 | 109.7 | 1.4.321 | 38610-7617 | | | | | |
| 18 | 126.7 | 1.4.991 | 107.95 | 1.4.2501 | 120.65 | 1.4.7501 | 116.0 | 1.4.571 | 38610-7618 | | | | | |
| 19 | 133.1 | 1.5.241 | 114.30 | 1.4.5001 | 127.00 | 1.5.0001 | 122.4 | 1.4.821 | 38610-7619 | | | | | |
| D 20 | 139.4 | 1.5.491 | 120.65 | 1.4.7501 | 133.35 | 1.5.2501 | 128.7 | 1.5.071 | 38610-7620 | | | | | |
| 21 | 145.8 | 1.5.741 | 127.00 | 1.5.0001 | 139.70 | 1.5.5001 | 135.1 | 1.5.321 | 38610-7621 | | | | | |
| 22 | 152.1 | 1.5.991 | 133.35 | 1.5.2501 | 146.05 | 1.5.7501 | 141.4 | 1.5.571 | 38610-7622 | | | | | |
| 23 | 158.5 | 1.6.241 | 139.70 | 1.5.5001 | 152.40 | 1.6.0001 | 147.8 | 1.5.821 | 38610-7623 | | | | | |
| 24 | 164.8 | 1.6.491 | 146.05 | 1.5.7501 | 158.75 | 1.6.2501 | 154.1 | 1.6.071 | 38610-7624 | | | | | |
| 25 | 171.2 | 1.6.741 | 152.40 | 1.6.0001 | 165.10 | 1.6.5001 | 160.5 | 1.6.321 | 38610-7625 | | | | | |
| 26 | 177.5 | 1.6.991 | 158.75 | 1.6.2501 | 171.45 | 1.6.7501 | 166.8 | 1.6.571 | 38610-7626 | | | | | |
| 27 | 183.9 | 1.7.241 | 165.10 | 1.6.5001 | 177.80 | 1.7.0001 | 173.2 | 1.6.821 | 38610-7627 | | | | | |
| 28 | 190.2 | 1.7.491 | 171.45 | 1.6.7501 | 184.15 | 1.7.2501 | 179.5 | 1.7.071 | 38610-7628 | | | | | |
| C 29 | 196.6 | 1.7.741 | 177.80 | 1.7.0001 | 190.50 | 1.7.5001 | 185.9 | 1.7.321 | 38610-7629 | | | | | |
| 30 | 202.9 | 1.7.991 | 184.15 | 1.7.2501 | 196.85 | 1.7.7501 | 192.2 | 1.7.571 | 38610-7630 | | | | | |
| 31 | 209.3 | 1.8.241 | 190.50 | 1.7.5001 | 203.20 | 1.8.0001 | 198.6 | 1.7.821 | 38610-7631 | | | | | |
| 32 | 215.6 | 1.8.491 | 196.85 | 1.7.7501 | 209.55 | 1.8.2501 | 204.9 | 1.8.071 | 38610-7632 | | | | | |



- NOTES:
1. MATERIAL: SEE TABLE
 2. FINISHES: SEE TABLE
 3. PRODUCT SPECIFICATION: NOT REQUIRED
 4. PACKAGING: NOT REQUIRED
 5. MATES WITH: NONE
 6. "XX" REFERS TO NUMBER OF CIRCUITS

| ITEM | QTY. | DESCRIPTION | MATERIAL | FINISH |
|------|------|---------------------------------|---------------|--------------------|
| 3 | XX | SCREW & WASHER, #3-48 (-50 OPT) | STEEL | ZN, CLEAR CHROMATE |
| 2 | XX | TERMINAL, PC, STYLE 5 | BRASS | TIN PLATE |
| 1 | 1 | BARRIER TERMINAL STRIP | THERMOPLASTIC | BLACK |

| | | | | | | | | | |
|---|---|---|-------------------------------------|-----------------------|--|---|----------------------|--|--------------|
| EC NO. RELEASED DRW: CLY CH/K: APPR: | QUALITY SYMBOLS MAJOR CRITICAL SPC | GENERAL TOLERANCES: (UNLESS SPECIFIED) | | SCALE 2:1 | DESIGN UNITS <input type="checkbox"/> mm <input checked="" type="checkbox"/> INCH | THIRD ANGLE PROJECTION | PROJECT NO. - - - | DIMENSIONS: <input checked="" type="checkbox"/> mm <input type="checkbox"/> INCH <input type="checkbox"/> mm ONLY | SHEET REV |
| | | 4 PLACES ±.0015 3 PLACES ±.005 2 PLACES ±.01 1 PLACE ±.3 | DRAWN BY & DATE C. YORK 11-22-04 | CHECKED BY & DATE | APPROVED BY & DATE | TITLE: 6.35mm (.250") SR BTS ASSY, CLAMP WASHER SCREW | REVISE ON CAD ONLY | | |
| A | REV | DRAFT WHERE APPLICABLE MUST REMAIN WITHIN DIMENSIONS | ANGULAR: ±2° | CAD FILENAME 615XX | MATERIAL NO. SEE CHART | DRAWING NO. SD-38610-004 | SHEET NO. 1 OF 1 | SIZE B | |

THIS DRAWING CONTAINS INFORMATION THAT IS PROPRIETARY TO MOLEX INCORPORATED AND SHOULD NOT BE USED WITHOUT WRITTEN PERMISSION.