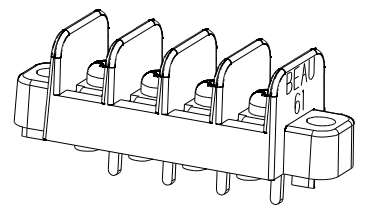
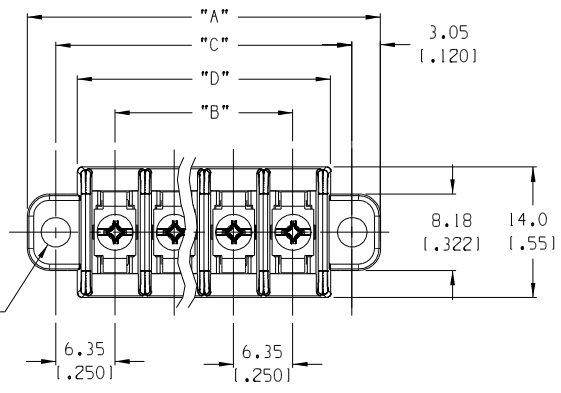
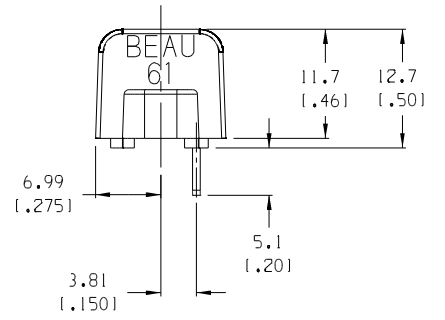
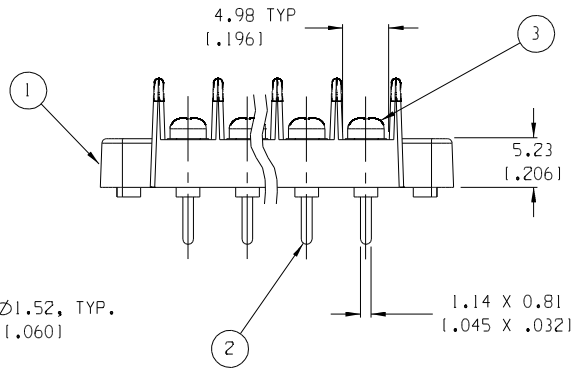


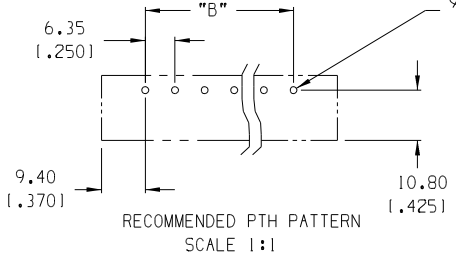
QTY. OF CIRC. "XX"	DIM. "A"	DIM. "B"	DIM. "C"	DIM. "D"	MATERIAL # (STANDARD)
02	25.1 1.991	6.35 1.2501	19.05 1.7501	14.4 1.571	38610-6402
03	31.5 1.241	12.70 1.5001	25.40 1.10001	20.8 1.821	38610-6403
04	37.8 1.491	19.05 1.7501	31.75 1.2501	27.1 1.1071	38610-6404
05	44.2 1.741	25.40 1.10001	38.10 1.5001	33.5 1.1321	38610-6405
06	50.5 1.991	31.75 1.2501	44.45 1.17501	39.8 1.1571	38610-6406
07	56.9 1.241	38.10 1.5001	50.80 1.20001	46.2 1.1821	38610-6407
08	63.2 1.491	44.45 1.17501	57.15 1.22501	52.5 1.2071	38610-6408
09	69.6 1.741	50.80 1.20001	63.50 1.25001	58.9 1.2321	38610-6409
10	75.9 1.991	57.15 1.22501	69.85 1.27501	65.2 1.2571	38610-6410
11	82.3 1.3241	63.50 1.25001	76.20 1.30001	71.6 1.2821	38610-6411
12	88.6 1.3491	69.85 1.27501	82.55 1.32501	77.9 1.3071	38610-6412
13	95.0 1.3741	76.20 1.30001	88.90 1.35001	84.3 1.3321	38610-6413
14	101.3 1.3991	82.55 1.32501	95.25 1.37501	90.6 1.3571	38610-6414
15	107.7 1.4241	88.90 1.35001	101.60 1.40001	97.0 1.3821	38610-6415
16	114.0 1.4491	95.25 1.37501	107.95 1.42501	103.3 1.4071	38610-6416
17	120.4 1.4741	101.60 1.40001	114.30 1.45001	109.7 1.4321	38610-6417
18	126.7 1.4991	107.95 1.42501	120.65 1.47501	116.0 1.4571	38610-6418
19	133.1 1.5241	114.30 1.45001	127.00 1.50001	122.4 1.4821	38610-6419
20	139.4 1.5491	120.65 1.47501	133.35 1.52501	128.7 1.5071	38610-6420
21	145.8 1.5741	127.00 1.50001	139.70 1.55001	135.1 1.5321	38610-6421
22	152.1 1.5991	133.35 1.52501	146.05 1.57501	141.4 1.5571	38610-6422
23	158.5 1.6241	139.70 1.55001	152.40 1.60001	147.8 1.5821	38610-6423
24	164.8 1.6491	146.05 1.57501	158.75 1.62501	154.1 1.6071	38610-6424
25	171.2 1.6741	152.40 1.60001	165.10 1.65001	160.5 1.6321	38610-6425
26	177.5 1.6991	158.75 1.62501	171.45 1.67501	166.8 1.6571	38610-6426
27	183.9 1.7241	165.10 1.65001	177.80 1.70001	173.2 1.6821	38610-6427
28	190.2 1.7491	171.45 1.67501	184.15 1.72501	179.5 1.7071	38610-6428
29	196.6 1.7741	177.80 1.70001	190.50 1.75001	185.9 1.7321	38610-6429
30	202.9 1.7991	184.15 1.72501	196.85 1.77501	192.2 1.7571	38610-6430
31	209.3 1.8241	190.50 1.75001	203.20 1.80001	198.6 1.7821	38610-6431
32	215.6 1.8491	196.85 1.77501	209.55 1.82501	204.9 1.8071	38610-6432



4 CIRCUIT SHOWN



- NOTES:
1. MATERIAL: SEE TABLE
 2. FINISHES: SEE TABLE
 3. PRODUCT SPECIFICATION: NOT REQUIRED
 4. PACKAGING: NOT REQUIRED
 5. MATES WITH: NONE
 6. "XX" REFERS TO NUMBER OF CIRCUITS



ITEM	QTY.	DESCRIPTION	MATERIAL	FINISH
3	XX	SCREW, #3-48 FILLISTER HEAD	BRASS	NICKEL
2	XX	TERMINAL, PC, STYLE 5	BRASS	TIN PLATE
1	1	BARRIER TERMINAL STRIP	THERMOPLASTIC	BLACK

EC NO. ECN# 3936 DRAWN: CY 11-22-04 CHK'G: APPR:	DESCRIPTION	QUALITY SYMBOLS MAJOR CRITICAL C SPC S	GENERAL TOLERANCES: (UNLESS SPECIFIED)		SCALE 2:1	DESIGN UNITS <input type="checkbox"/> mm <input checked="" type="checkbox"/> INCH	THIRD ANGLE PROJECTION	PROJECT NO. -	I	-
			mm	INCH	DRAWN BY & DATE C. YORK 7-09-03	TITLE: 6.35mm (.250") SR BTS ASSY	DIMENSIONS:	SHT	REV	
REV	DESCRIPTION	QUALITY SYMBOLS	4 PLACES	±.0015	CHECKED BY & DATE R. KEMP 7-09-03	APPROVED BY & DATE P. WALTZ 7-10-03	MATERIAL NO. SEE CHART	DRAWING NO. SD-38610-001	SHEET NO. 1 OF 1	SIZE B
			3 PLACES	±.0038 ±.005	REVISIONS: REVISE ON CAD ONLY					
DRAFT WHERE APPLICABLE MUST REMAIN WITHIN DIMENSIONS			ANGULAR: ±2°		THIS DRAWING CONTAINS INFORMATION THAT IS PROPRIETARY TO MOLEX INCORPORATED AND SHOULD NOT BE USED WITHOUT WRITTEN PERMISSION.					