

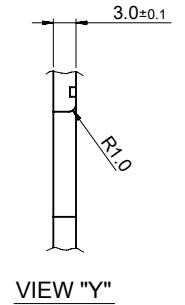
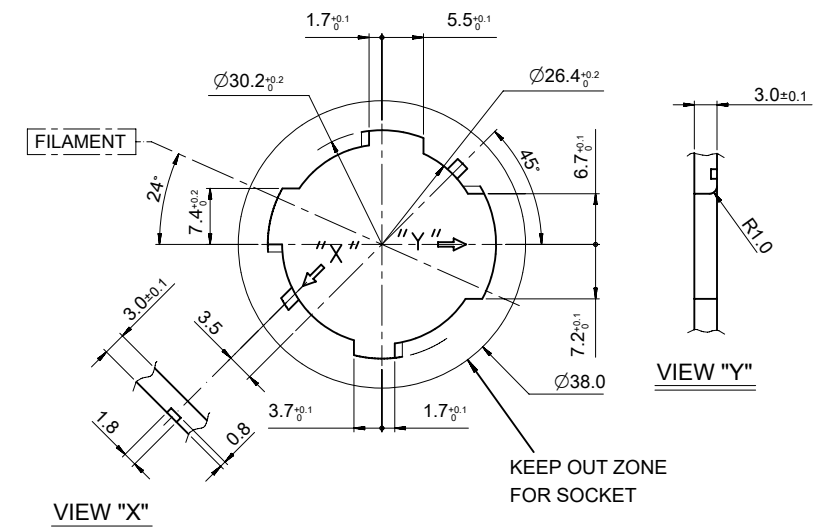
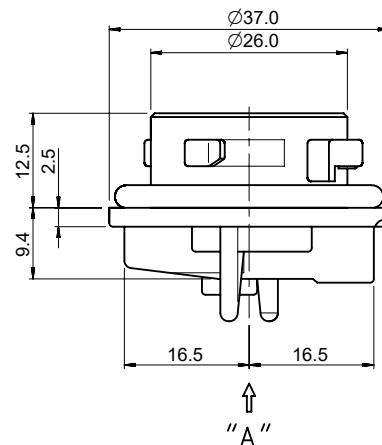
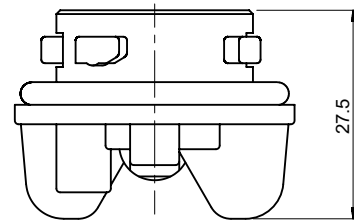
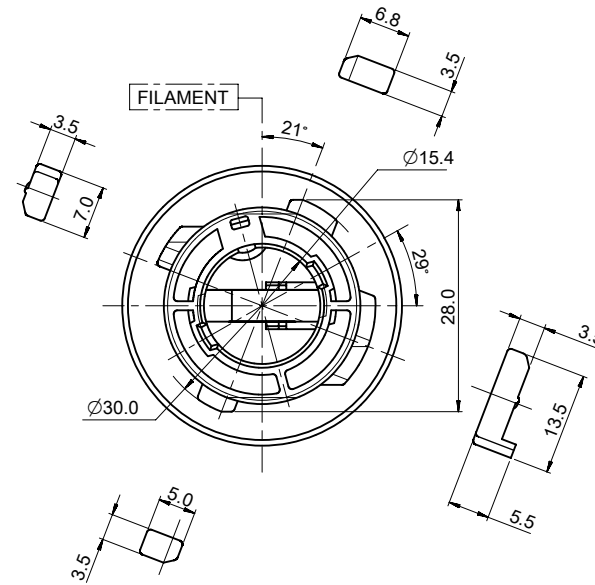
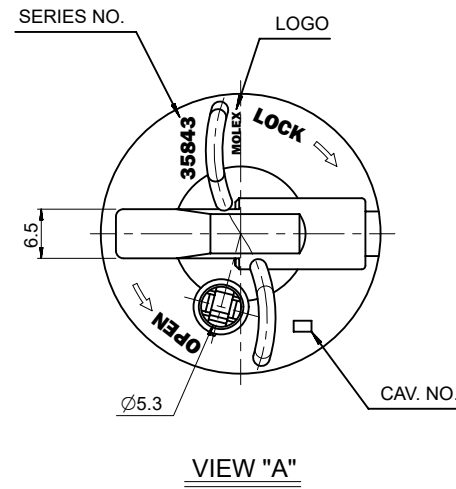
NOTES

1. FOCAL LENGTH =31.8mm
2. PRODUCT SPECIFICATION: PS-35842-001
3. APPLICABLE BULB CAP: P21W(BA15s)
4. MATES WITH

NO.	DESCRIPTION	MATERIAL	ORDER NO.	REMARK
③	POSITIVE TERMINAL	PHOSPHOR BRONZE	35464-8000	UNPLATED
④	POSITIVE WIRE SEAL	SILICONE	35903-0096	BROWN
⑤	EARTH TERMINAL	PHOSPHOR BRONZE	35465-8000	UNPLATED
⑥	EARTH WIRE SEAL	SILICONE	35903-0106	BLUE

<PART LIST>

NO.	DESCRIPTION	MATERIAL	USAGE	REMARK
①	SINGLE SOCKET	PA66 M/F	1	A TYPE
②	SEAL GASKET	NBR	1	BLACK



MOUNTING INTERFACE (MI-1)

<TABLE 1>

MATERIAL NO.	ORDER NO.	COLOR
358431205	35843-1205	GRAY
358431206	35843-1206	WHITE

THIS DRAWING CONTAINS INFORMATION THAT IS PROPRIETARY TO MOLEX ELECTRONIC TECHNOLOGIES, LLC AND SHOULD NOT BE USED WITHOUT WRITTEN PERMISSION

DIMENSION UNITS mm	SCALE 1:1	CURRENT REV DESC: OBSOLETE PART NUMBERS AS PER PCN 508518	<b>molex</b>			
GENERAL TOLERANCES (UNLESS SPECIFIED)		EC NO: 671087				SEALED PT BULB SOCKET SINGLE HOUSING ASS'Y (A-TYPE)
4 PLACES ±	MM INCH	DRWN: RPRABHUM 2021/05/25	PRODUCT CUSTOMER DRAWING			
3 PLACES ±		CHK'D: GGA 2021/08/06	DOCUMENT NUMBER			
2 PLACES ± 0.15		APPR: GGA 2021/08/06	DOC TYPE DOC PART REVISION			
1 PLACE ± 0.25		INITIAL REVISION:	SD-35843-001 PSD 001 F			
0 PLACES ±		DRWN: YSIKKIM 1999/05/13	MATERIAL NUMBER			
ANGULAR TOL ± 2.0°		APPR: CWLEE 1999/05/13	CUSTOMER			
DRAFT WHERE APPLICABLE MUST REMAIN WITHIN DIMENSIONS	THIRD ANGLE PROJECTION	DRAWING A3-SIZE	SERIES 35843	MATERIAL NUMBER SEE TABLE 1	CUSTOMER GENERAL MARKET	SHEET NUMBER 1 OF 1

