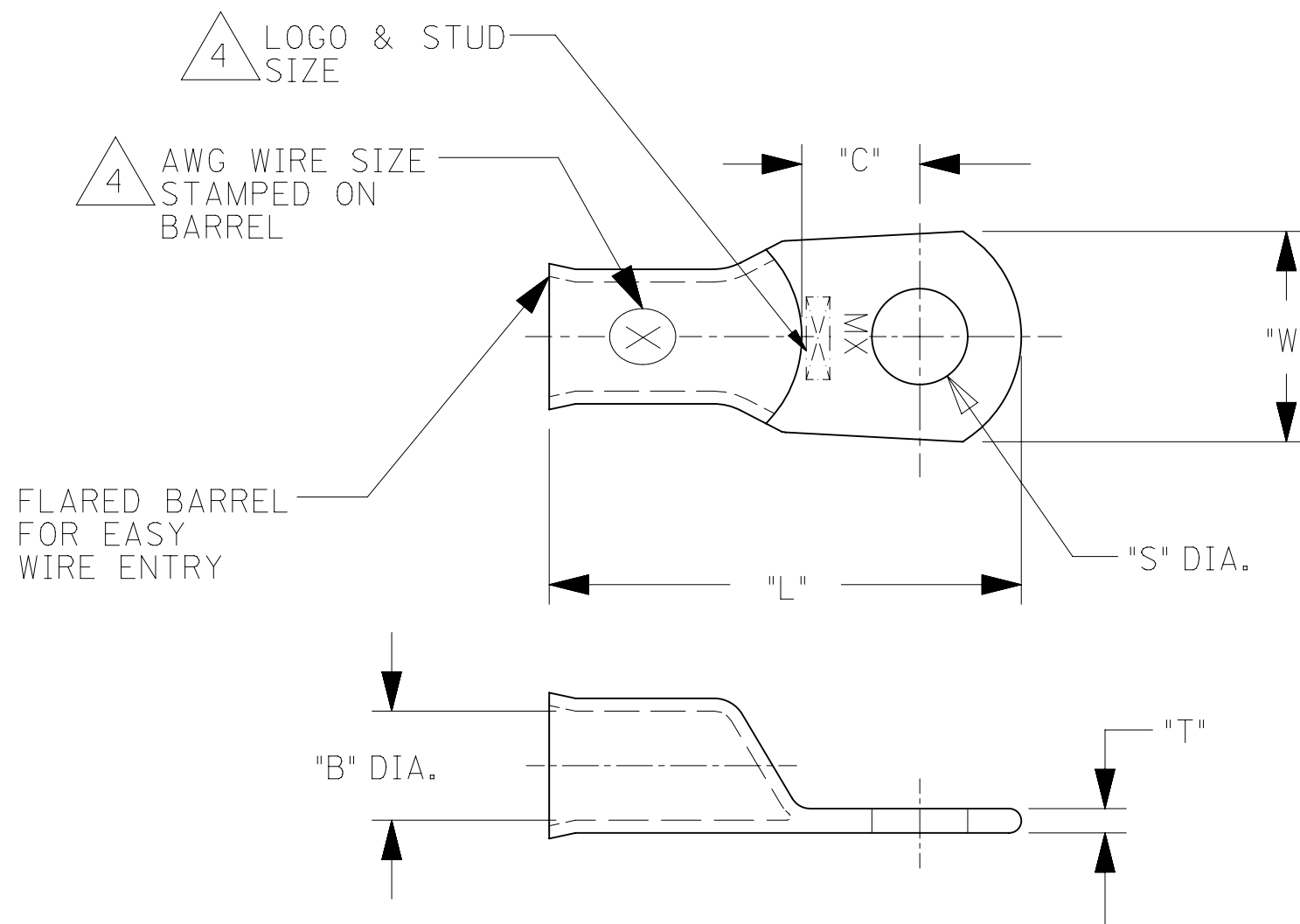


| UNPLATED MATERIAL NUMBER | UNPLATED ENG. NUMBER | PLATED MATERIAL NUMBER | PLATED ENGINEERING NUMBER | STUD SIZE        | AWG WIRE RANGE | "S"<br>±.015/(0.38) | "L"<br>±.100/(2.54)  | "W"<br>±.035/(0.89) | "C"<br>±.050/(1.27) | "B"<br>±.020/(0.51) | "T"<br>±.020/(0.50) |
|--------------------------|----------------------|------------------------|---------------------------|------------------|----------------|---------------------|----------------------|---------------------|---------------------|---------------------|---------------------|
| 192210423                | BCL-1014             | 192210422              | BCL-1014-PL               | 1/4/(6.4)        | 1/0            | .278/(7.06)         | 1.844/(46.84)        | .728/(18.49)        | .460/(11.68)        | .400/(10.16)        | .110/(2.80)         |
| 192210394                | BCL-10516            | 192210240              | BCL-10516-PL              | 5/16/(7.9)       | 1/0            | .340/(8.64)         | 1.844/(46.84)        | .728/(18.49)        | .460/(11.68)        | .400/(10.16)        | .110/(2.80)         |
| 192210377                | BCL-1038             | 192210241              | BCL-1038-PL               | 3/8/(9.5)        | 1/0            | .400/(10.16)        | 1.844/(46.84)        | .728/(18.49)        | .460/(11.68)        | .400/(10.16)        | .110/(2.80)         |
| 192210393                | BCL-1012             | 192210242              | BCL-1012-PL               | 1/2/(12.7)       | 1/0            | .520/(13.21)        | 1.844/(46.84)        | .728/(18.49)        | .460/(11.68)        | .400/(10.16)        | .110/(2.80)         |
| 192210249                | BCL-2014             | 192210234              | BCL-2014-PL               | 1/4/(6.4)        | 2/0            | .278/(7.06)         | 2.062/(52.37)        | .824/(20.93)        | .522/(13.26)        | .461/(11.71)        | .110/(2.80)         |
| 192210398                | BCL-20516            | 192210243              | BCL-20516-PL              | 5/16/(7.9)       | 2/0            | .340/(8.64)         | 2.062/(52.37)        | .824/(20.93)        | .522/(13.26)        | .461/(11.71)        | .110/(2.80)         |
| 192210379                | BCL-2038             | 192210244              | BCL-2038-PL               | 3/8/(9.5)        | 2/0            | .400/(10.16)        | 2.062/(52.37)        | .824/(20.93)        | .522/(13.26)        | .461/(11.71)        | .110/(2.80)         |
| 192210397                | BCL-2012             | 192210245              | BCL-2012-PL               | 1/2/(12.7)       | 2/0            | .520/(13.21)        | 2.062/(52.37)        | .824/(20.93)        | .522/(13.26)        | .461/(11.71)        | .110/(2.80)         |
| 192210597                | BCL-2058             | 192210598              | BCL-2058-PL               | 5/8/(15.9)       | 2/0            | .656/(16.66)        | 2.062/(52.37)        | .824/(20.93)        | .522/(13.26)        | .461/(11.71)        | .110/(2.80)         |
| 192210478                | BCL-3014             | 192210570              | BCL-3014-PL               | 1/4/(6.4)        | 3/0            | .278/(7.06)         | 2.156/(54.76)        | .916/(23.27)        | .501/(12.73)        | .511/(12.93)        | .115/(2.92)         |
| 192210402                | BCL-30516            | 192210246              | BCL-30516-PL              | 5/16/(7.9)       | 3/0            | .340/(8.64)         | 2.156/(54.76)        | .916/(23.27)        | .501/(12.73)        | .511/(12.93)        | .115/(2.92)         |
| 192210381                | BCL-3038             | 192210247              | BCL-3038-PL               | 3/8/(9.5)        | 3/0            | .400/(10.16)        | 2.156/(54.76)        | .916/(23.27)        | .501/(12.73)        | .511/(12.93)        | .115/(2.92)         |
| 192210401                | BCL-3012             | 192210248              | BCL-3012-PL               | 1/2/(12.7)       | 3/0            | .520/(13.21)        | 2.156/(54.76)        | .916/(23.27)        | .501/(12.73)        | .511/(12.93)        | .115/(2.92)         |
| 192210413                | BCL-40516            | 192210412              | BCL-40516-PL              | 5/16/(7.9)       | 4/0            | .340/(8.63)         | 2.344/(59.54)        | .999/(25.37)        | .550/(13.97)        | .559/(14.20)        | .135/(3.43)         |
| 192210382                | BCL-4038             | 192210250              | BCL-4038-PL               | 3/8/(9.5)        | 4/0            | .400/(10.16)        | 2.344/(59.54)        | .999/(25.37)        | .550/(13.97)        | .559/(14.20)        | .135/(3.43)         |
| 192210403                | BCL-4012             | 192210251              | BCL-4012-PL               | 1/2/(12.7)       | 4/0            | .520/(13.21)        | 2.344/(59.54)        | .999/(25.37)        | .550/(13.97)        | .559/(14.20)        | .135/(3.43)         |
| <b>192210652</b>         | <b>BCL-4014</b>      | <b>192210648</b>       | <b>BCL-4014-PL</b>        | <b>1/4/(6.4)</b> | <b>4/0</b>     | <b>.278/(7.061)</b> | <b>2.344/(59.54)</b> | <b>.984/(24.99)</b> | <b>.550/(13.97)</b> | <b>.559/(13.97)</b> | <b>.135/(3.43)</b>  |
| -                        | -                    | 192210847              | BCL-1010MM-PL             | 10mm             | 1/0            | .417/(10.59)        | 1.844/(46.84)        | .728/(18.49)        | .460/(11.86)        | .400/(10.16)        | .110/(2.80)         |
| -                        | -                    | 192210848              | BCL-2010MM-PL             | 10mm             | 2/0            | .417/(10.59)        | 2.062/(52.37)        | .824/(20.93)        | .522/(13.26)        | .461/(11.71)        | .110/(2.80)         |
| -                        | -                    | 192210862              | BCL-3010MM-PL             | 10mm             | 3/0            | .417/(10.59)        | 2.156/(54.76)        | .916/(23.273)       | .501/(12.73)        | .511/(12.93)        | .115/(2.92)         |



- NOTE:**
- FOR INSPECTION SIGHT HOLE, PLEASE CONSULT FACTORY.
  - OTHER STUD SIZES MAY BE AVAILABLE, PLEASE CONSULT FACTORY.
  - MATERIAL: COPPER  
PLATING: TIN
  - MARKINGS CAN BE AT EITHER LOCATION SHOWN.
  - IF TONGUE IS TO BE BENT AT ANY ANGLE, IT MUST BE BENT AROUND A RADIUS ONE HALF THE TONGUE THICKNESS.

J1

|   |  |                     |  |  |  |            |  |   |  |                         |  |
|---|--|---------------------|--|--|--|------------|--|---|--|-------------------------|--|
| THIS DRAWING CONTAINS INFORMATION THAT IS PROPRIETARY TO MOLEX ELECTRONIC TECHNOLOGIES, LLC AND SHOULD NOT BE USED WITHOUT WRITTEN PERMISSION |  |                     |  |  |  |            |  |   |  |                         |  |
| DIMENSION UNITS<br><b>IN/MM</b>   |  | SCALE<br><b>NTS</b> |  | CURRENT REV DESC: OBSOLETE PART NUMBERS AS PER PCN#510807. |  |            |  |   |  | <b>molex</b>            |  |
| GENERAL TOLERANCES (UNLESS SPECIFIED)   |  |                     |  | EC NO: 726454  |  | 2022/09/28 |  | BATTERY CABLE LUG<br>COPPER TERMINALS 1/0, 2/0, 3/0 & 4/0 |  |                         |  |
| 4 PLACES ±  |  | ±                   |  | DRWN: LIKITV   |  | 2022/11/30 |  | PRODUCT CUSTOMER DRAWING                                  |  |                         |  |
| 3 PLACES ±  |  | ± 0.005             |  | CHK'D: GGA   |  | 2022/11/30 |  | DOCUMENT NUMBER   |  |                         |  |
| 2 PLACES ±  |  | 0.13 ± 0.01         |  | APPR: GGA  |  | 2022/11/30 |  | SD-19221-011  |  |                         |  |
| 1 PLACE ±   |  | 0.25 ±              |  | INITIAL REVISION:  |  |            |  | DOC TYPE   DOC PART   REVISION                            |  |                         |  |
| 0 PLACES ±  |  | ±                   |  | DRWN: BRE  |  | 2002/06/24 |  | PSD   001   J2  |  |                         |  |
| ANGULAR TOL ± °   |  | °                   |  | APPR: RWD  |  | 2002/06/24 |  | MATERIAL NUMBER   CUSTOMER                                |  |                         |  |
| DRAFT WHERE APPLICABLE MUST REMAIN WITHIN DIMENSIONS  |  |                     |  | THIRD ANGLE PROJECTION                                     |  | DRAWING    |  | SERIES  |  | SHEET NUMBER            |  |
|   |  |                     |  | C-SIZE   |  | 19221      |  | SEE TABLE   |  | GENERAL MARKET   1 OF 1 |  |