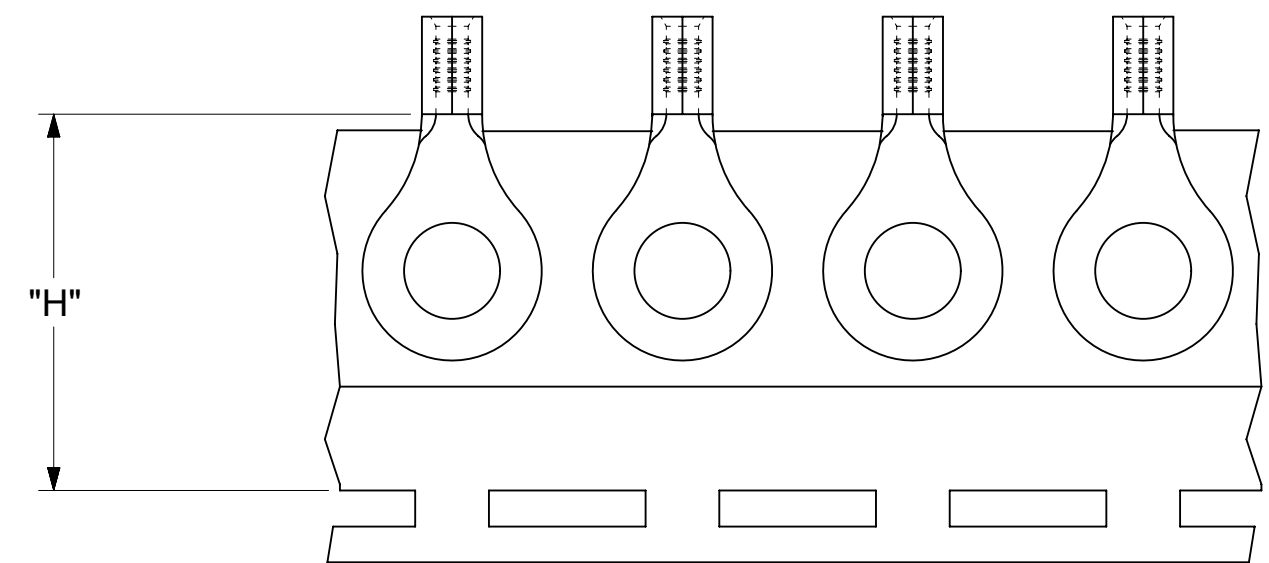
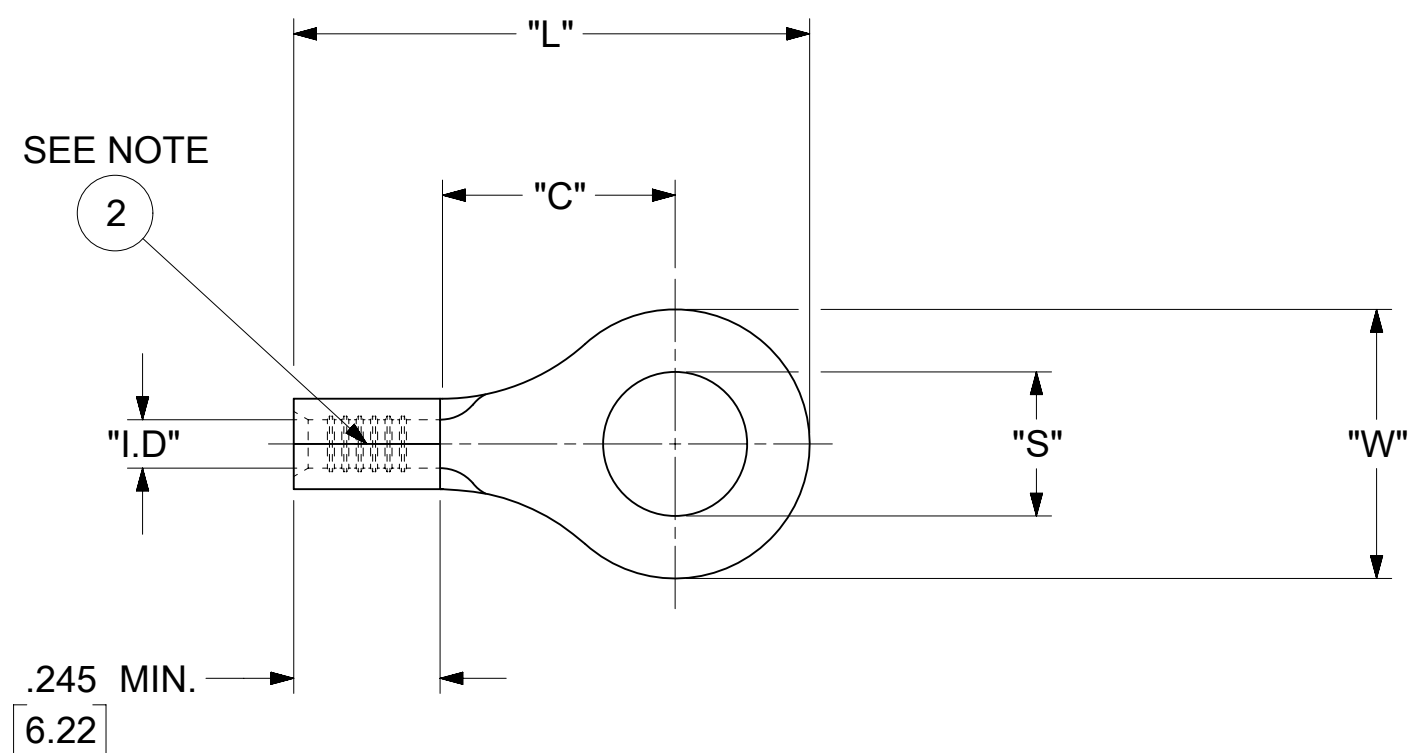


LOOSE PIECE		TAPE MOUNTED		SPECIFICATIONS							
MATERIAL NUMBER	ENGINEERING NUMBER	MATERIAL NUMBER	ENGINEERING NUMBER	STUD SIZE	"S" ±.005 [0.13]	"W" ±.010 [0.25]	"C" MIN.	"L" MAX.	"I.D" MIN.	"H"	STOCK ±.001 [0.025] THICKNESS
190560008	A-320-04	---	---	4	.119 [3.02]	.225 [5.72]	.157 [3.99]	.563 [14.30]	.062 [1.57]	.980 [24.89]	.028 [0.71]
190560010	A-320-06	190560011	A-320-06T	6	.146 [3.71]						
190560013	A-321-06	---	---	6	.146 [3.71]	.312 [7.92]	.270 [6.86]	.720 [18.29]	.062 [1.57]	.980 [24.89]	.028 [0.71]
190560015	A-321-08	---	---	8	.173 [4.39]						
190560018	A-321-10	190560020	A-321-10T	10	.198 [5.03]						
190560023	A-322-14	190560024	A-322-14T	14	.265 [6.73]	.467 [11.86]	.386 [9.80]	.914 [23.22]	.062 [1.57]	.980 [24.89]	.028 [0.71]
190560025	A-322-56	---	---	56	.328 [8.33]						
190560027	A-326-10	---	---	10	.198 [5.03]	.534 [13.56]	.552 [14.02]	1.113 [28.27]	.054 [1.37]	---	.031 [0.79]
190560031	A-326-38	---	---	38	.390 [9.91]						
190560033	A-326-56	---	---	56	.328 [8.33]						
190560037	A-332-06	---	---	6	.146 [3.71]	.254 [6.45]	.240 [6.10]	.661 [16.79]	.062 [1.57]	---	.028 [0.71]
190560039	A-332-08	---	---	8	.173 [4.39]						



PARTS ON TAPE

NOTES:

- MATERIAL: COPPER
PLATING: ELECTRO-TIN (.0003 MIN).
- BRAZED SEAM
- WIRE SIZE: 22-18 AWG
.25-1.5MM²
- ALL DIMENSIONS IN INCHES/[MM].
- PARTS ARE ROHS COMPLIANT.
- DIMS. SHOWN ARE FOR REFERENCE ONLY.

THIS DRAWING CONTAINS INFORMATION THAT IS PROPRIETARY TO MOLEX ELECTRONIC TECHNOLOGIES, LLC AND SHOULD NOT BE USED WITHOUT WRITTEN PERMISSION													
DIMENSION UNITS INCH/MM		SCALE NTS		CURRENT REV DESC: OBSOLETE PART NUMBERS AS PER PCN#512131.									
GENERAL TOLERANCES (UNLESS SPECIFIED)				EC NO: 727779									
		MM	INCH	DRWN: ANIKES1 2022/10/04				RING TONGUE TERMINAL VERSAKRIMP 300-SERIES					
4 PLACES		±	±	CHK'D: GGA 2022/11/29									
3 PLACES		±	± 0.005	APPR: GGA 2022/11/29				PRODUCT CUSTOMER DRAWING					
2 PLACES		± 0.13	± 0.01	INITIAL REVISION:				DOCUMENT NUMBER					
1 PLACE		± 0.25	±	DRWN: JJ 1984/11/28				190560006					
0 PLACES		±	±	APPR: JMACNEIL 2019/07/01				DOC TYPE		DOC PART		REVISION	
ANGULAR TOL		± 0.5 °		THIRD ANGLE PROJECTION				MATERIAL NUMBER		CUSTOMER		SHEET NUMBER	
DRAFT WHERE APPLICABLE MUST REMAIN WITHIN DIMENSIONS				DRAWING C-SIZE		SERIES 19056		GENERAL MARKET		1 OF 1			