



- Features :
 - 2:1 wide input range
 - 4:1 wide input range(optionl)
 - 1500VDC I/O isolation
 - 3000VDC I/O isolation(option)
 - Built-in EMI filter
 - Protections: Short circuit / Overload
 - Cooling by free air convection
 - Six-sided shield metal case
 - 100% burn-in test
 - Low cost / High reliability
 - Approvals: FCC / EAC / CE / UKCA
 - 2 years warranty

■ GTIN CODE

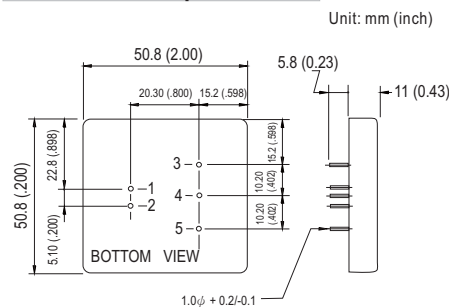
MW Search: <https://www.meanwell.com/serviceGTIN.aspx>

SPECIFICATION



ORDER NO.	DKE15A-05	DKE15B-05	DKE15C-05	DKE15A-12	DKE15B-12	DKE15C-12	DKE15A-15	DKE15B-15	DKE15C-15	DKE15A-24	DKE15B-24	DKE15C-24
OUTPUT	DC VOLTAGE			±12V			±15V			±24V		
	CURRENT RANGE			±62.5 ~ ±625mA			±50 ~ ±500mA			±31.3 ~ ±313mA		
	RATED POWER			15W								
	RIPPLE & NOISE (max.) Note.2			50mVp-p			60mVp-p			80mVp-p		
	LINE REGULATION Note.3			±0.3%								
	LOAD REGULATION Note.4			±0.5%								
	VOLTAGE ACCURACY			±2.0%								
	SWITCHING FREQUENCY			150KHz min.								
INPUT	VOLTAGE RANGE											
	EFFICIENCY (Typ.)											
	DC CURRENT											
	FILTER											
	PROTECTION											
PROTECTION (Note. 5)	OVER CURRENT											
	SHORT CIRCUIT											
ENVIRONMENT	WORKING TEMP.											
	WORKING HUMIDITY											
	STORAGE TEMP., HUMIDITY											
	TEMP. COEFFICIENT											
	VIBRATION											
SAFETY & EMC	SAFETY STANDARDS											
	WITHSTAND VOLTAGE											
	ISOLATION RESISTANCE											
	EMC EMISSION											
OTHERS	EMC IMMUNITY											
	MTBF											
DIMENSION												
PACKING												

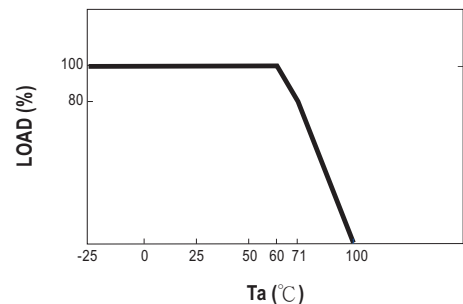
■ Mechanical Specification



■ Pin Configuration

Pin No.	Output
1	+Vin
2	-Vin
3	+Vout
4	COM
5	-Vout

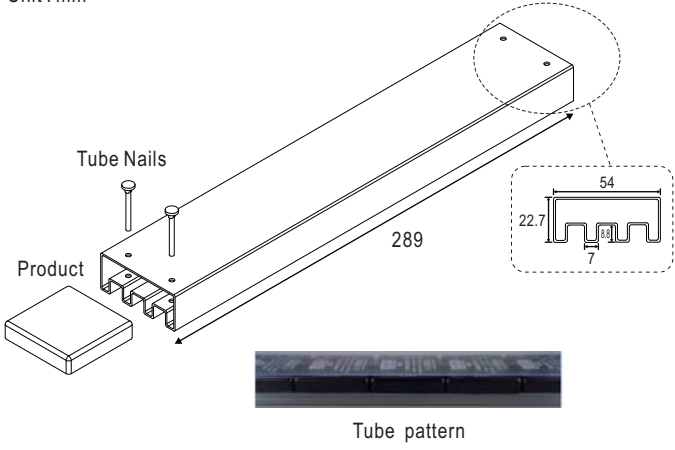
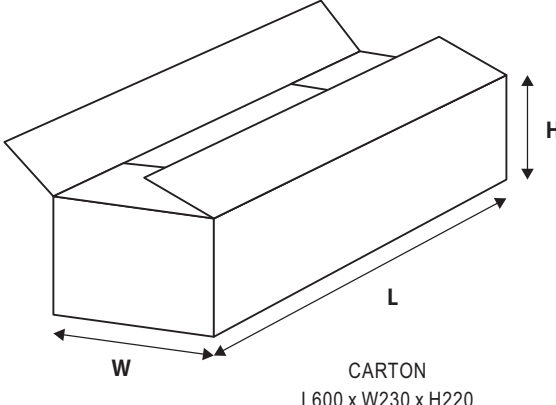
■ Derating Curve



NOTE

- All parameters are specified at normal input, rated load, 25°C 70% RH ambient.
 - Ripple & noise are measured at 20MHz by using a 12" twisted pair terminated with a 0.1uf & 47uf capacitor.
 - Line regulation is measured from low line to high line at rated load.
 - Load regulation is measured from 10% to 100% rated load.
 - Please prevent the converter from operating in overload or short circuit condition for more than 30 seconds.
- ※ Product Liability Disclaimer : For detailed information, please refer to <https://www.meanwell.com/serviceDisclaimer.aspx>

■ Packing

Standard Tube Packing	MPQ Per Tube (PCS)	One Tube G.W.	Max. Q'TY/ Carton(PCS)	One Carton G.W.
<p>Unit : mm</p>  <p>Product</p> <p>Tube Nails</p> <p>289</p> <p>54</p> <p>22.7</p> <p>7</p> <p>Tube pattern</p>  <p>CARTON L600 x W230 x H220</p>	5	360g	200	15.2Kg

■ Installation Manual

Please refer to : <http://www.meanwell.com/manual.html>