

STANDARD SERIES

- SCREW - STAINLESS STEEL
- SHELL - STAINLESS STEEL
- LATCH BUTTON - ZINC, NICKEL PLATED
- INSULATOR - POLYESTER, GREEN
- SOLDER TERMINAL - BRASS, ELECTRO TIN
- LATCH SPRING - STAINLESS STEEL
- CONTACT PIN - PHOSPHOR BRONZE, SILVER PLATED
- HOUSING - ZINC
- RELEASE LEVER - STEEL, NICKEL PLATED

- CONTACT PLATING:
BLANK = SILVER (STANDARD)
AU = GOLD
- HOUSING FINISH:
BLANK = TEXTURED (STANDARD)
S = SANDED
- HOUSING PLATING: SEE NOTE 2
BLANK = NICKEL PLATE (STANDARD)
BX = BLACK RoHS

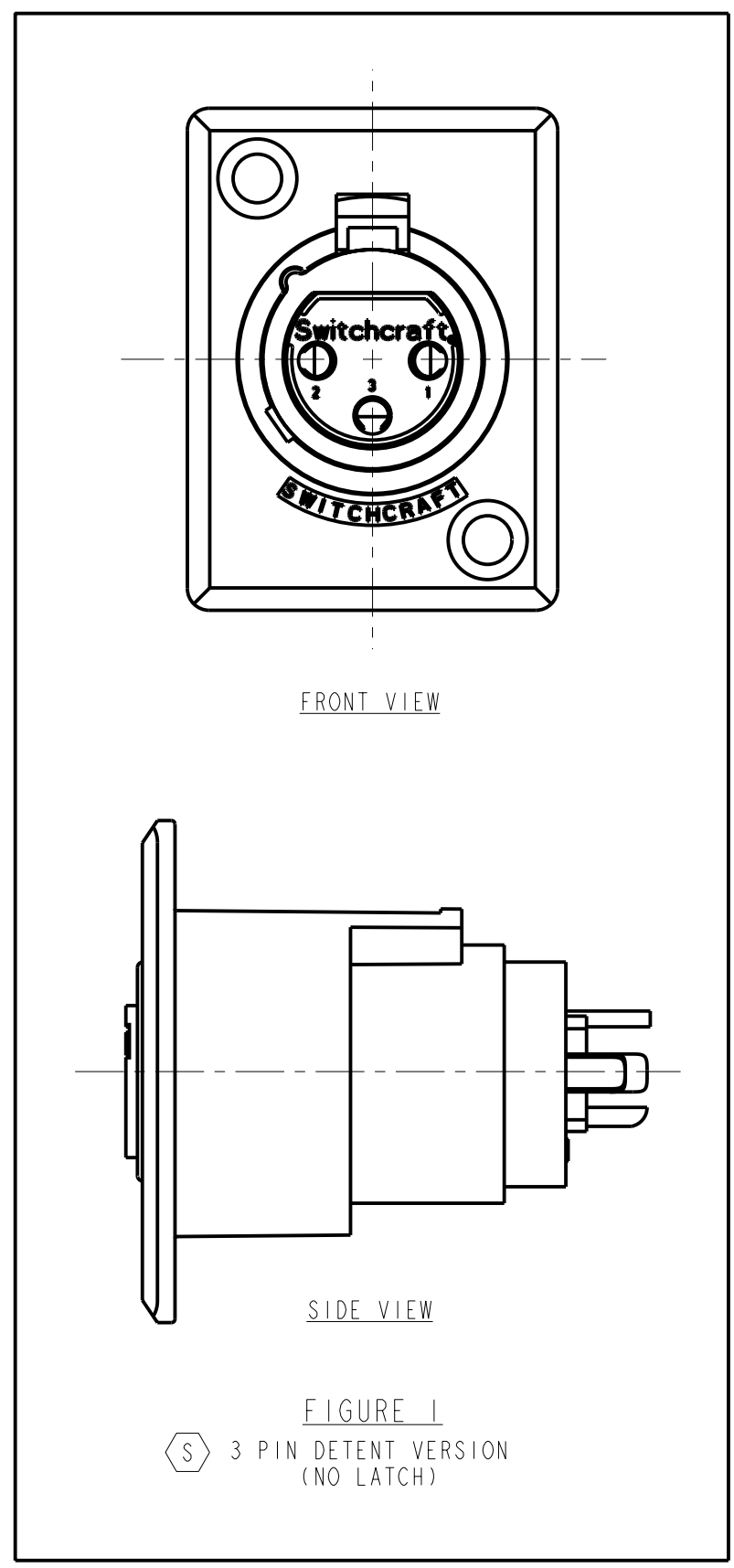
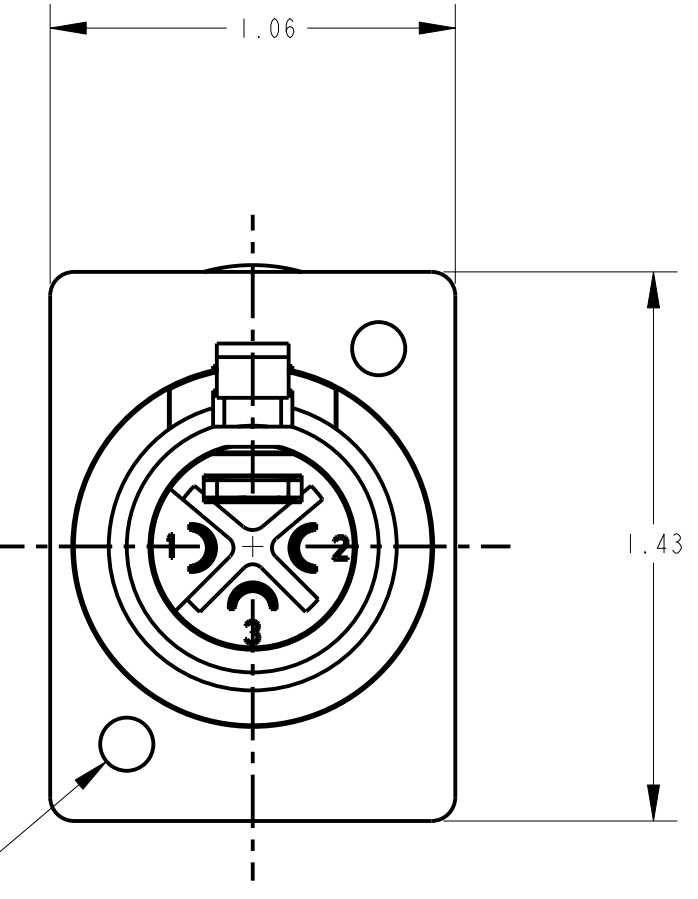
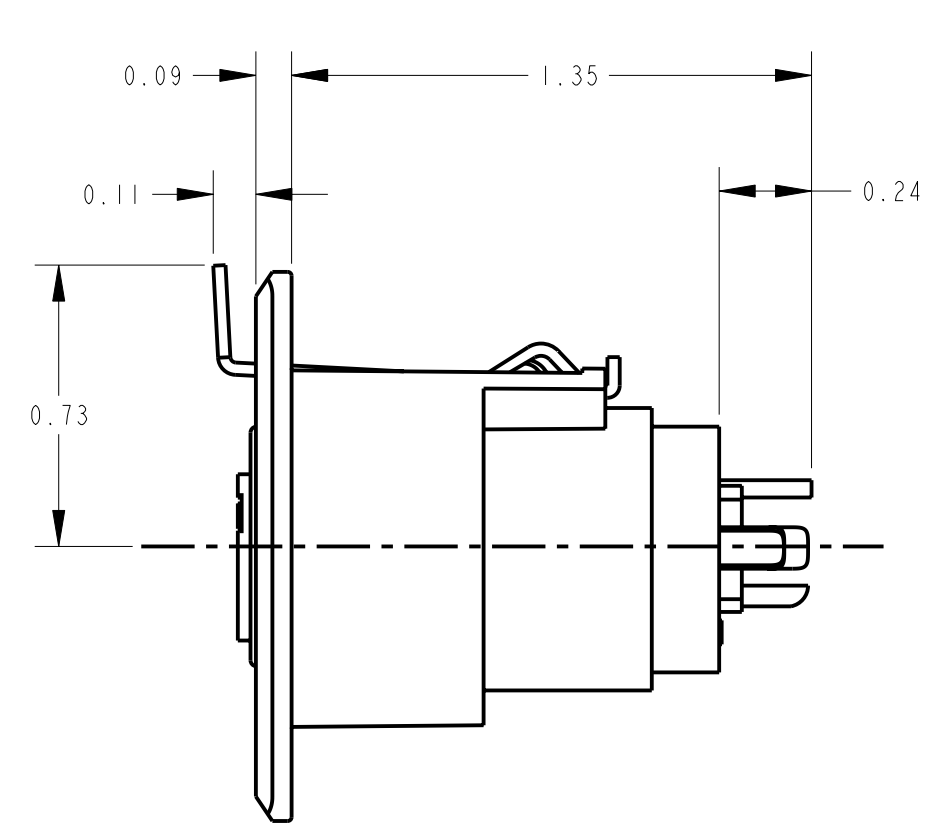
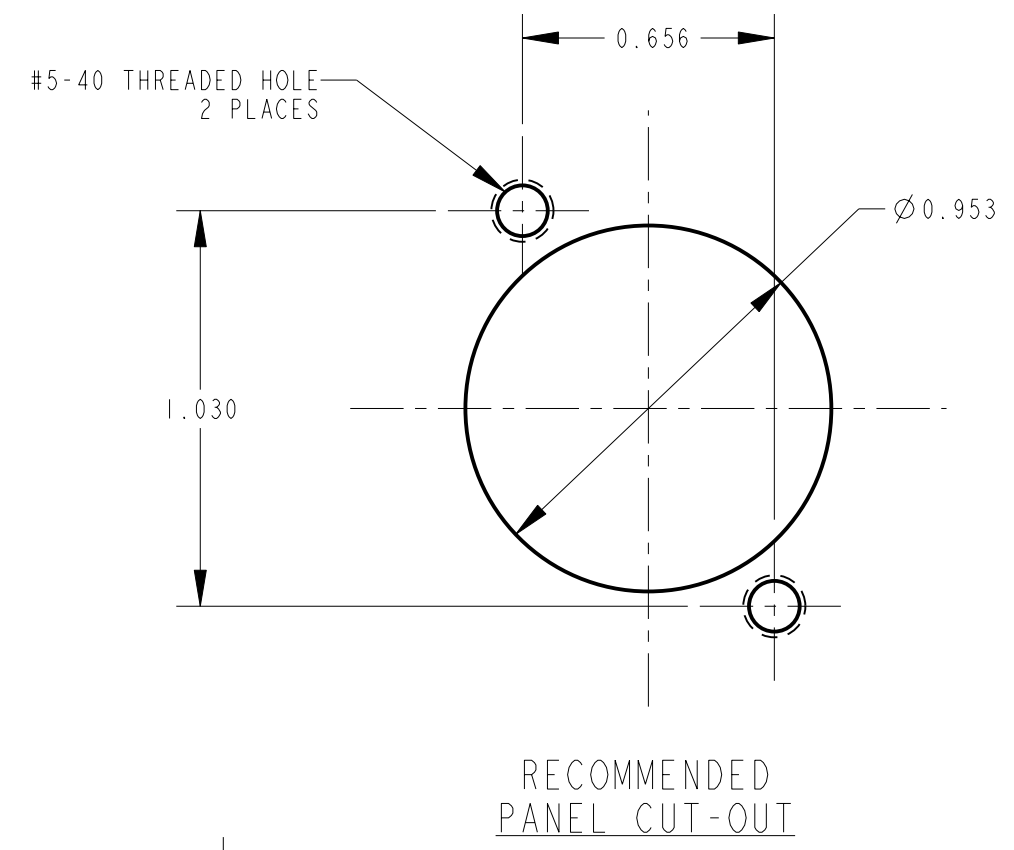
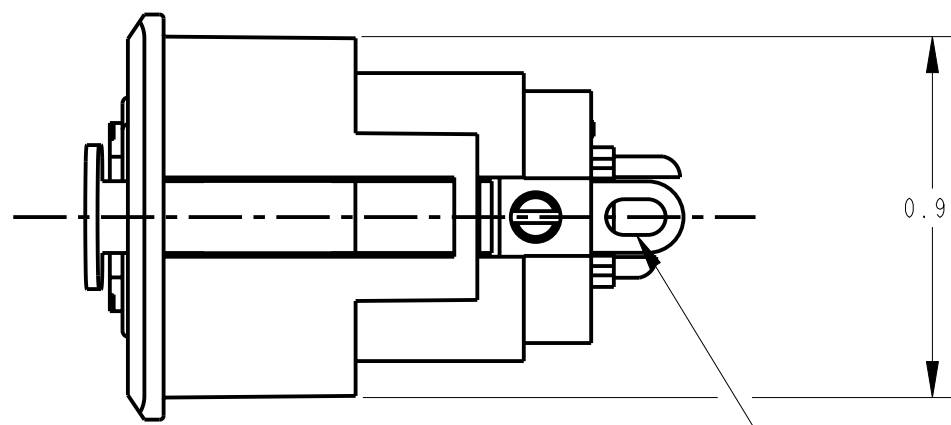
- LATCH TYPE:
BLANK = STANDARD LATCHLOCK
D = FAS-DIS-CONNECT DETENT (SEE FIGURE 1)
(NO LATCH)

- NO. OF CONTACTS:
3 = 3 CONTACTS
4 = 4 CONTACTS
5 = 5 CONTACTS
6 = 6 CONTACTS
7 = 7 CONTACTS

PROFESSIONAL SERIES

- HOUSING FINISH - MATTE CHROME
- CONTACT PLATING - GOLD

- OGP 62
- NO. OF CONTACTS:
3 = 3 CONTACTS



- NOTES:
1. ALL DIMENSIONS REF. UNLESS OTHERWISE SPECIFIED.
 2. BLACK HOUSING AND INSERT WITH SATIN NICKEL PLATED LATCH.
 3. THIS PRODUCT IS RoHS COMPLIANT.

| REV | ECO NUMBER | DATE | BY | APVD |
|-----|------------|---------|-----|------|
| S | 26158 | 10-4-06 | TO | TJK |
| R | ECO #22895 | 9-20-99 | TJK | TJK |

REVISIONS

★ STAR SYMBOL DENOTES CRITICAL DIMENSION

UNLESS OTHERWISE SPECIFIED

1. ALL DIMENSIONS IN INCHES
- TWO PLACE DECIMALS ±0.01
- THREE PLACE DECIMALS ±0.005
- FRACTIONAL DIMENSIONS ±1/64
- ANGLES ±1°
- ALL DIA. CONCENTRIC WITHIN 0.005 T.I.R.
2. FEATURES ON THE SAME CENTERLINE MUST BE ALIGNED WITHIN ±0.002
3. REMOVE ALL BURRS

DO NOT SCALE DRAWING

| | | | | |
|--|-------|------------|-------|------------|
| THIS DRAWING DESCRIBES A DESIGN CONSIDERED PROPRIETARY IN NATURE, DEVELOPED AND MANUFACTURED BY SWITCHCRAFT INC. AND IS RELEASED ON A CONFIDENTIAL BASIS FOR IDENTIFICATION PURPOSES ONLY. | | | | |
| SIZE | WIDTH | MULT | LBS/M | TEMPER |
| FINISH | | SCALE | | MATERIAL |
| SPEC No. | | 2:1 | | SPEC No. |
| FIRST USED ON | | DATE DRAWN | | BY |
| 7-Feb-94 | | 7-Feb-94 | | SG |
| CHKD | | APVD | | |
| AA | | GHJ | | |
| 7-11-94 | | 7-11-94 | | |
| NAME | | | | PART No. |
| D SERIES FEMALE OG, RoHS | | | | D_F SERIES |
| | | | | REV |
| | | | | S |

CUSTOMER DRAWING

Switchcraft