

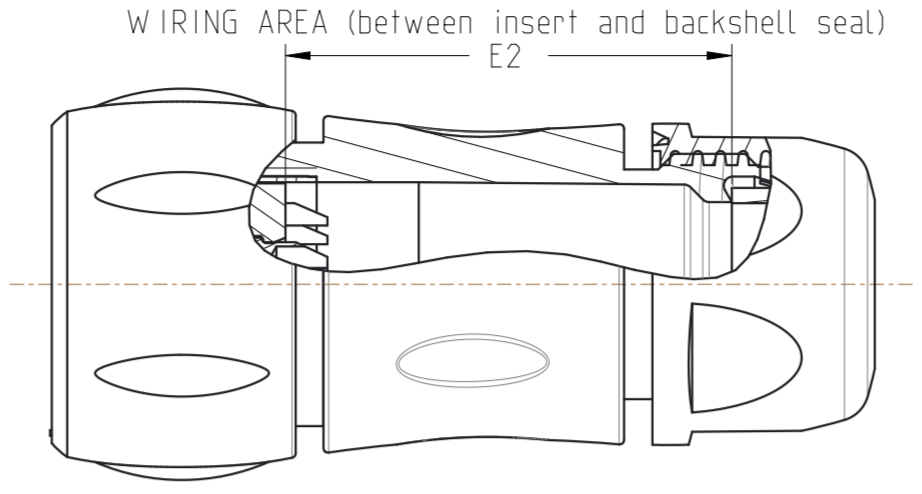
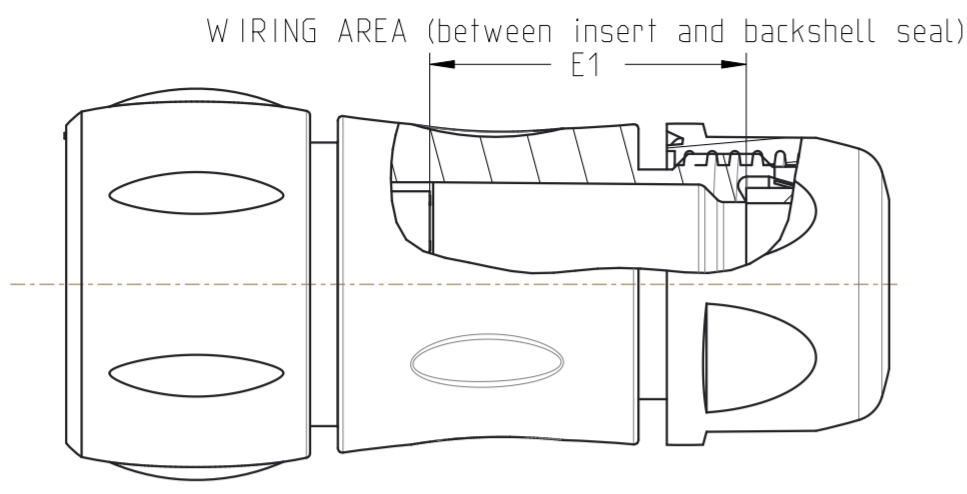
B.2: Validé

SIDE VIEW FOR EACH VERSION

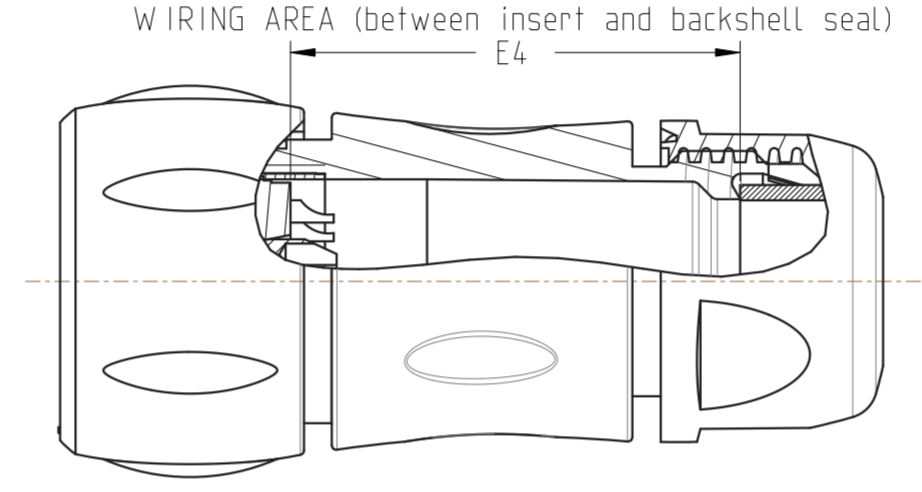
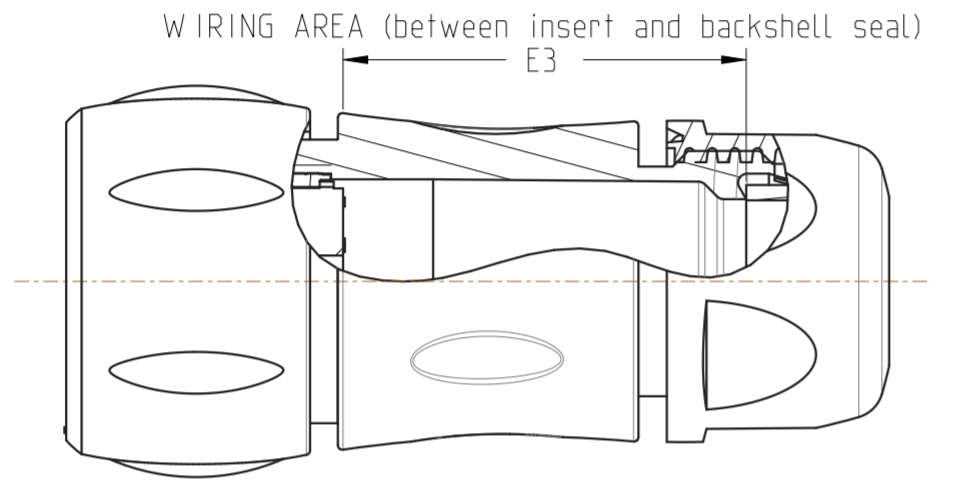
UTSX6JC-----

UTSX6JC--E----

UTSX6JC-----P



UTSX6JC-----S

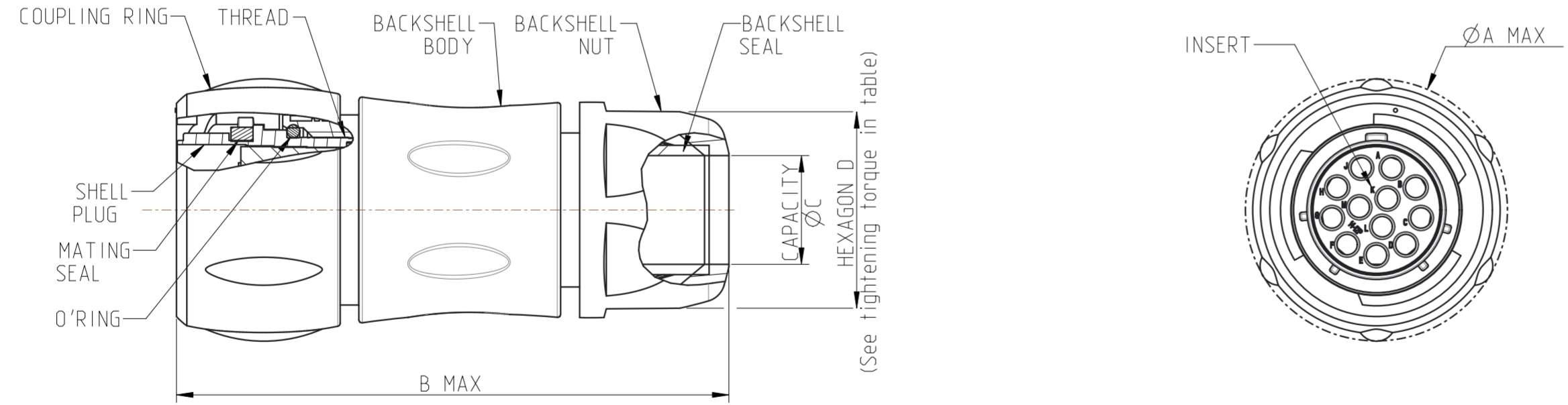


SEALING CONDITIONS

Sealing in MATED conditions with COUNTERPART:
 -IP6x : No ingress of dust
 -IPx8 1 bar during 1 week: immersion under 10 m of water.
 -IPx9K : exposure to high pressure water of cleaning equipment (IEC 60529)

Sealing in MATED conditions with COUNTERPART and UNMATED conditions:
 -IP6x : No ingress of dust
 -IPx8 1 bar during 1 week: immersion under 10 m of water.
 -IPx9K : exposure to high pressure water of cleaning equipment (IEC 60529)

COMMON QUOTES FOR ALL VERSION



MATERIAL :

- SHELL :PA UL94 V0, UL746C F1 Black color
- COUPLING RING: PA UL94 V0 F1 Black color
- BACKSHELLS : PA UL94 V0 F1 Black color
- BACKSHELL Seal : CR
- INSERT (UTSX0-----) : PA UL94 V0, UL746C F1
- INSERT (UTSX0--E----) : Polychloroprene UL94 HB
- O'RING : NITRIL
- MATING SEAL : SILICON
- CONTACTS: brass + coated depending on P/N

PERFORMANCE CHARACTERISTICS :

Operating temperature: -40°C up to 105°C
 Insulation resistance: 5000 MΩmin
 Corrosion salt spray: 500 hours
 Durability: 250 matings and unmatings
 Sealing conditions: SEE TABLE

NOTA:

- 1- Contact to be ordered separately for version UTSX6----- : refer to corresponding catalogue.
- 2- Insert arrangement refer to:

UTX_LAYOUT (Standard Version)
 UTX-HS_LAYOUT (HiSeal Version)

- 3- This part shall be used at the place of the standard seal to accomodate with different cable Ø
- 4- Plug, backshell and the reducing seal are delivered as a kit. The backshell already includes the standard seal.

Country	Jurisdiction & Control List
FR	NOT LISTED

SOURIAU shall not be liable for any non-conformity or damage due to a use of the Products which does not comply with the Specifications issued by either of the Parties or by a third party (professional recommendation, technical notice.)

P/N : CROSS REF TABLE

BASIC SERIES	UTSX	6	JC	14	E	19	P	* P/N for example
SHELL TYPE	6 Plug							Normal (no digit) W.X.Y.Z
BACKSHELL	JC							TYPE OF CONTACTS P: MALE S: FEMALE
SHELL SIZE	10 12 14							INSERT ARRANGEMENT See NOTA 2
TYPE OF LAYOUT	Standard layout (No digit) E : HISEAL Handsolder contacts							

B	15/09/2021	Mass column deleted	25782C
ISS	DATE	Latest modification - by:	Q.LECOMTE
Designed by:		J.GAMBIER	Date: 1 29/10/2020

TITLE: PLUG T6 WITH BACKSHELL JC - SIZE 10 12 & 14, Standard and Hiseal version
 UTSX CONNECTOR

Scale: 3/2
 Dimensions in mm
 General Linear Tolerances: ± 0.2
 NPRDS / PROJECT GBB

www.souriau.com
 This document is the property of SOURIAU
 It must not be reproduced or communicated without permission

SHELL SIZE	MAX	MAX	STANDARD	REDUCING SEAL (NOTA.3)	HEXAGON backshell nut	MAX				THREAD CLASS 2A	
	ØA	B	ØC	D	Tightening torque (N.m)	E1	E2	E3	E4		
10	26.2	66	2.5 / 8	1.5 / 5	18.5	1	21	34.1	29	33.5	9/16-24 UNEF
12	29.7	69	5 / 12	3 / 9	24	2	25	38.1	33	37.5	11/16-24 UNEF
14	34.6	75.5	7 / 14	5 / 12	26	2.5	29	42.1	36	40.5	13/16-20 UNEF

FORMAT: A2
 SOURIAU DRG N° UTSX-0005A-C
 SHEET 1 / 1