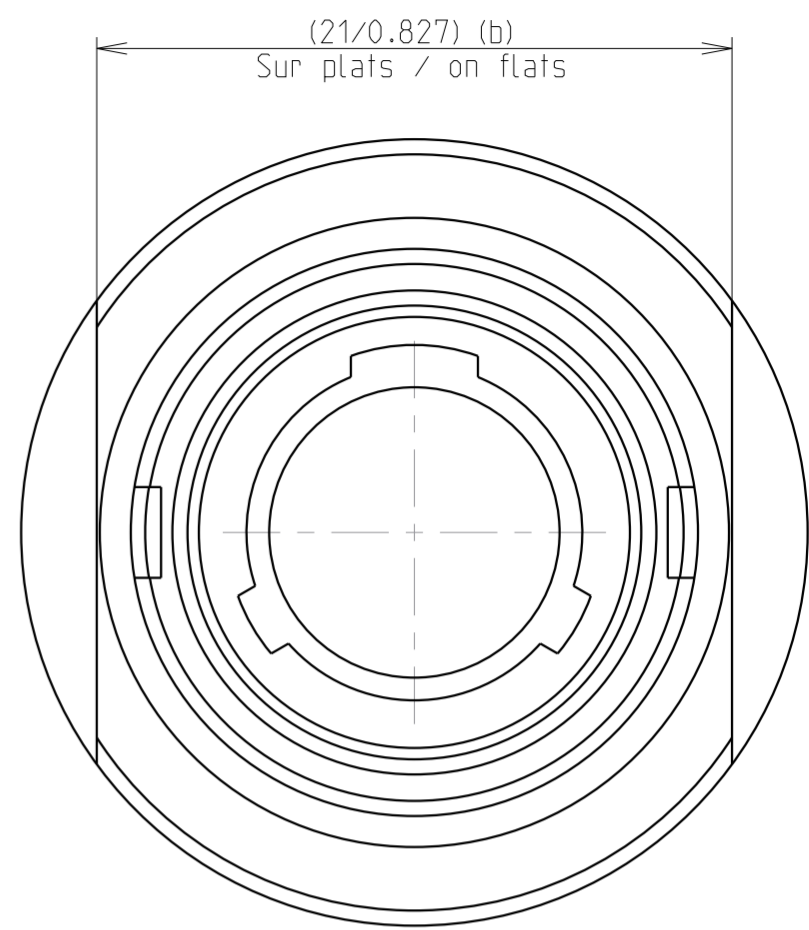
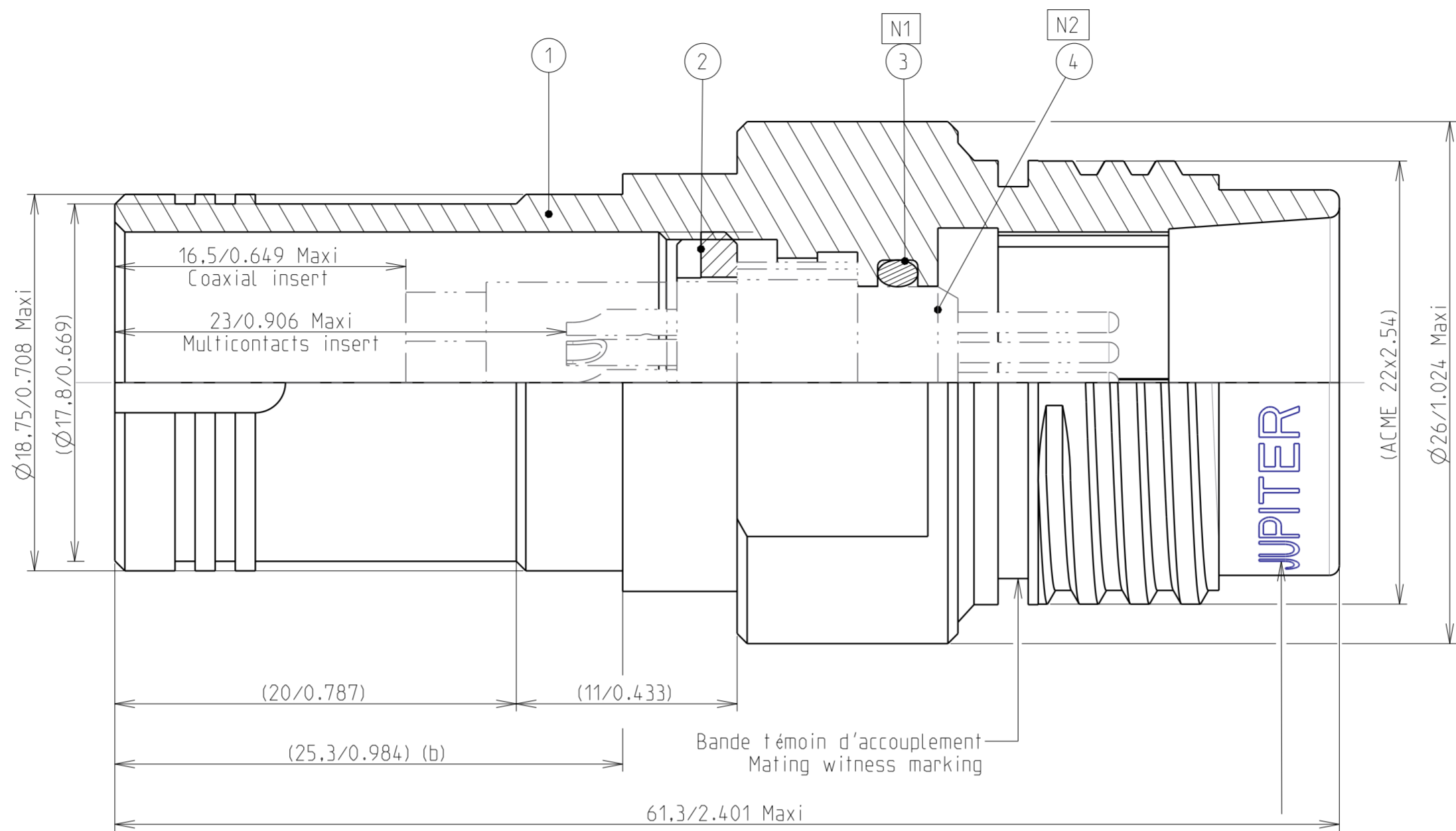
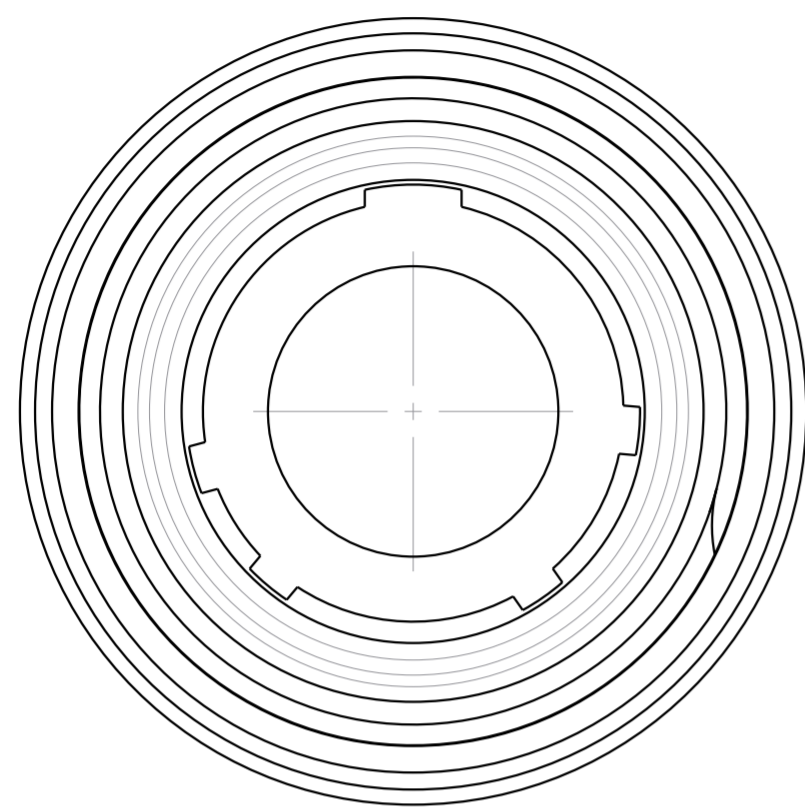


B.2: D enveloppement

Country	Jurisdiction & Control List
FR	NOT LISTED

	critical dimension
	major dimension



REFERENCE COMMERCIALE  
PART NUMBER

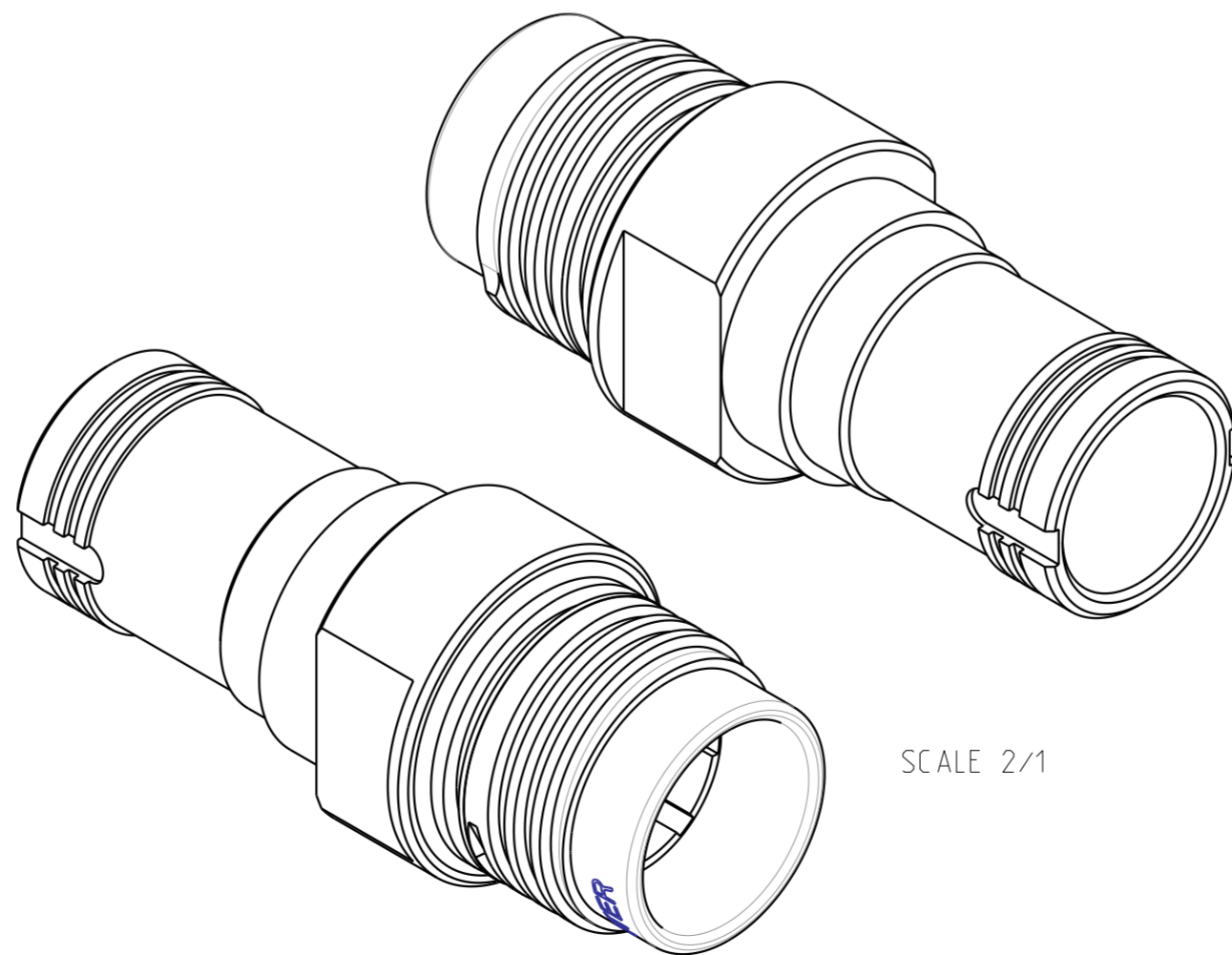
CPE10PLSAY

4	ISOLANT / INSERT
3	JOINT TORIQUE ISOLANT / O'RING INSERT
2	BAGUE DE RETENUE / RETAINING RING
1	PROLONGATEUR PCE / IN-LINE RECEPTACLE
REP	DESIGNATION

MARQUAGE/MARKING

\*\*\*\* JUPITER FR PCE10PLY  
 SEMAINE / WEEK  
 ANNEE / YEAR

- N1 : MONTAGE AVEC GRAISSE / MOUNTING WITH GREASE
- N2 : ISOLANT HORS FOURNITURE / INSERT NOT SUPPLIED



SCALE 2/1

B	23/04/18	Modification of flats + add of retaining	S.Yakoubi	MEFFRE	DIFF
A	28/02/18	Initial drawing	S.Yakoubi	MEFFRE	DIFF
Iss	Date	MODIFICATIONS	Designed by	Checked by	MOD N°
			Naf.		
MATERIAL --			TREATMENT		PROTECTION/PLATING
--			--		--
--			--		CODE --
DIMENSIONS ARE DEFINED BEFORE PLATING					
TITLE					PROJECT
PROLONGATEUR PCE SAY/ IN-LINE RECEPTACLE SAY TYPE					PL54
SERIE PL - TAILLE 10					
Material Reference Voir Référence Commerciale / See Part Number					
		Generates tolerances ISO 2768		<b>SOURIAU</b> 3. RUE DU VALLON ZAC N°2 94440 MAROLLES-EN-BRIE (FRANCE) TEL. 33 (0)1 45 10 78 00	
Scale 4/1		General machining Surface texture			
Geometrical Tolerances: NF EN ISO 1101					
This document is the property of SOURIAU it must not be reproduced or communicated without permission.			FORMAT	SOURIAU DRG N°	Iss SHEET
			A2	<b>542P0030A8C</b>	<b>B</b> 1/1