


SIGN	DATE	DESCRIPTION	APPROVER
△	11/01'05	Electrical standard changed.	Marvin
△	04/20'06	2p to 6p with wedge is changed.	Marvin
△	06/06'06	2p to 6p with wedge is removed.	Marvin
△	8/13'06	Added VDE standard	梁仁松
△	12/15'08	Flange screw changed from "-" slot type to "+/-" slot type	Kind
△	12/15'08	Operating Temp. changed from -30°C~+105°C to -40°C~+115°C	Kind
△	2010.07.09	The solid and Stranded wire is changed from 16-26 to 16-28	Chen Bo

THIS IS CAD DRAWING, DO NOT REVISE MANUALLY!!!

Material

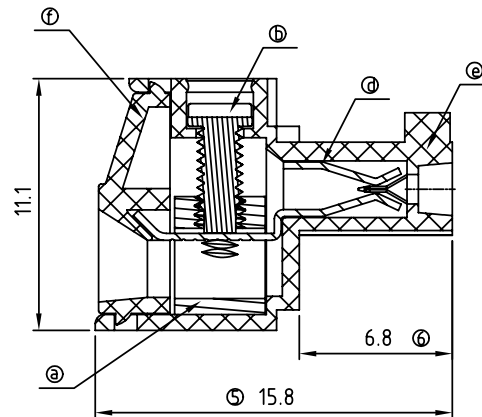
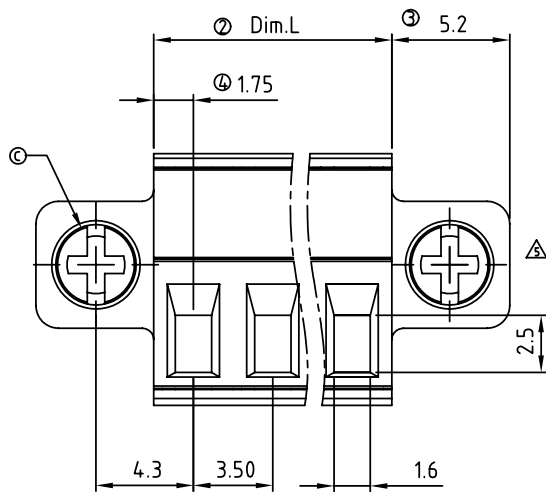
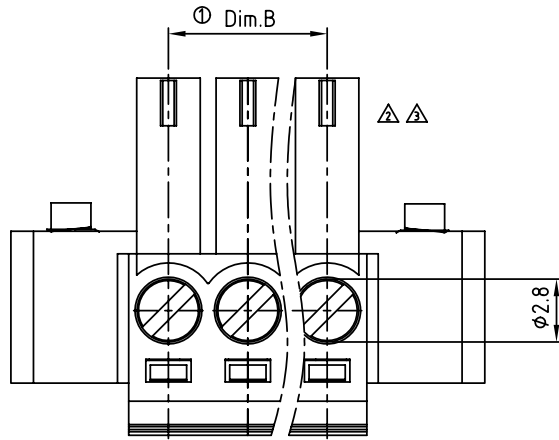
- Item a Clamp: Brass(CuZn) Ni plated
- Item b Terminal screw: Steel Zinc plating "-" slot type
- △ ● Item c With flange screw : steel M2.5 Zinc plating "+/-" slot type
- Item d Female contact: PhBz ,Tin plated
- Item e Terminal (housing): Thermoplastic (UL94V-0)
- Item f Terminal (cover): Thermoplastic (UL94V-0)

△△ Electrical cULus/VDE

- Voltage rating: 300VAC/300VAC
- Current rating: 10A/10.5A
- Wire range: 1.5mm²
- Solid wire(AWG): 16-28/16-28
- △ ● Stranded wire(AWG): 16-28/16-28
- Torque: 3.0Lb-In/0.2Nm
- Screw: M2
- Wire strip length: 6-7mm
- Withstanding Voltage: 1.6KV/2.5KV
- △ ● Operating temperature: -40°C to +115°C
- Safety Approval: 

TJ xx 11 x 2 xxxx G

02 2 CONTACTS	0 Black (RAL9005)	0000 Standard @ Logo	Pb < 40,000ppm
03 3 CONTACTS	2 Red (RAL3001/D)	000A Standard ANY Logo	(RoHS)
... ..	3 Orange(RAL2011/P)	0091 Standard ANY Logo	
24 24 CONTACTS	4 Yellow(RAL1018/A)	Any special item by customer request, please contact sales department.	
	5 Green(RAL6018/T)		
	6 Blue (RAL5015/A)		
	8 Grey(RAL7035/D)		



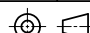
Dim.L = N x 3.5
 Dim.B = (N-1) x 3.5
 N= number of poles

poles	2P-6P	7P-12P	13P-18P	19P-24P
Dim.L	±0.15	±0.20	±0.25	±0.30
Dim.B	±0.15	±0.20	±0.25	±0.30

ANYTEK

CUSTOMER COPY

ALL RIGHTS RESERVED. REPRODUCTION OR ISSUE TO THIRD PARTIES IN ANY FORM WHATSOEVER IS NOT PERMITTED WITHOUT WRITTEN AUTHORITY FROM THE PROPRIETOR. PROPERTY OF ANYTEK TECHNOLOGY CO., LTD

TITLE		TJ-3.5mm Series With flange		
PART NO.	TJxx11x2xxxxG	DWG NO.	8TJ0504	
APPROVED	CHECKED	DESIGNED	DRAWN	CUST NO.
			Chen Bo 2010.07.09	
				Tolerance
				X. ±0.50
				X.X ±0.30
				X.XX ±0.10
				X° ±1°
SHEET: 01/01				UNIT: mm
				SCALE: NONE
				REV.: I