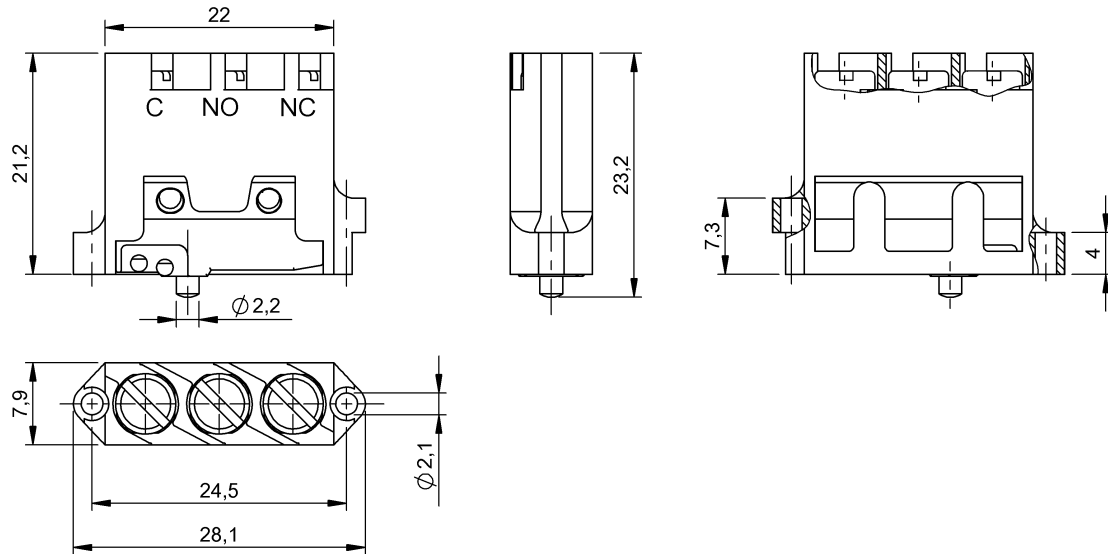


Mechanical Cam Switches
BSE 70.1-RK
 Order Code: **BSE000J**

BALLUFF



Basic features

Bounce time max.	2.0 ms
Switching time	10 ms

Electrical connection

Connection type	1. Switch position: Screw terminal
------------------------	------------------------------------

Electrical data

Contact resistance max.	240 mOhm
Contact resistance max., note	New condition
Continuous current	1. Switch position: 5.0 A
Mechanical life expectancy min.	10 mil. switching operations
Minimum load at 24 V DC	20.0 mA
Nominal voltage	250 VAC
Rated continuous current	6.0 A
Rated operating current Ie	5 A
Rated operating current Ie AC	5 A
Rated operating voltage Ue AC	250 V
Rated operating voltage Ue DC	220 V
Switching actuation force max.	1.50 N
Switching operations per minute	200
Switching principle	Snap switch
Switchover time max.	10.0 ms

Environmental conditions

Ambient temperature	-5...85 °C
----------------------------	------------

Material

Housing material	Thermoplast, GF
Material contacts	Silver
Material contacts	1. Switch position: Silver

Mechanical data

Connection cross-section	0.75 mm ²
Tightening torque max.	12 Ncm

Wiring Diagrams

