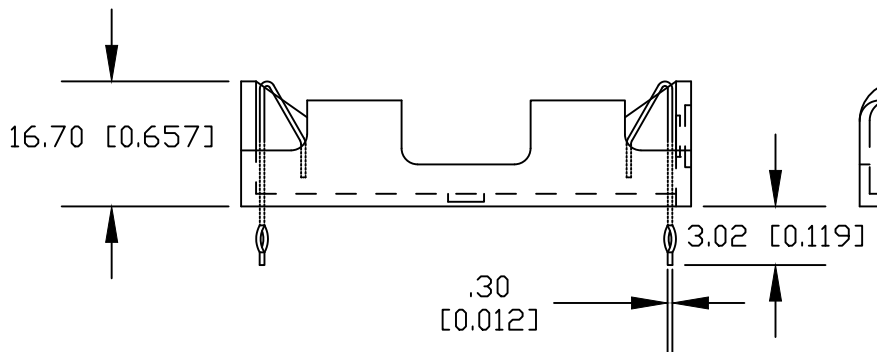
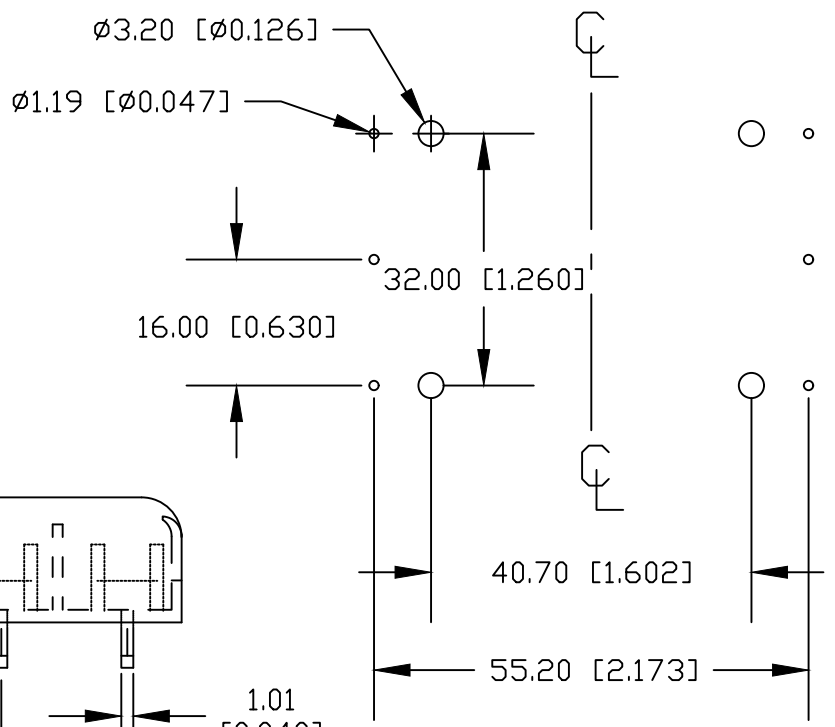
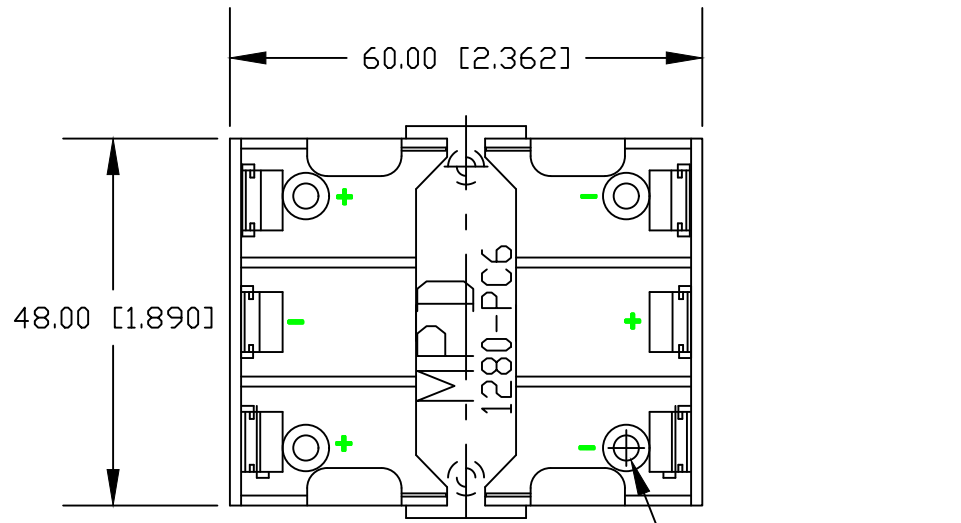



Date	SYM	REVISION RECORD	AUTH	DR.	CK.
5/26/07	A	ADDED TEST RESULTS	T.B.	B.S.	
10/17/14	B	UPDATED TO ROHS 2 COMPLIANT	T.B.	B.S.	
07/14/16	C	ADDED CONTACT DIM. 1.01 AND 0.30	T.B.	B.S.	
04/12/19	D	MILLISECONDS WAS MICRO SECONDS	T.B.	B.S.	



### PCB LAYOUT

**NOTES:**  
 Material: Polypropylene, UL94V-0, UL file No. E255317  
 Contacts: 302 Stainless Steel Spring Temper, Nickel Plated  
 Cover: Polypropylene, UL94V-0  
 Heat Deflection Temperature: 90°C  
 Vibration Test: 10-50-10 Hz swept in 60 seconds  
 X,Y,Z direction: 1 hour each direction  
 Result: No dislodgement of the cell or damage  
 No discontinuity over 10 micro-seconds  
 Shock Test: Half sine wave acceleration 150G. 6 milliseconds  
 3 shock pulses each direction per axis, total of 18 pulses  
 Result: No evidence of physical damage.  
 ROHS COMPLIANT

Tolerance (Inches)	 <b>Memory Protection Devices, Inc</b> 200 Broad Hollow Road, Farmingdale, New York 11735		
Decimal ±.5 (.020)	Scale	Drawn By B.S.	
Fractional ±.8 (.030)	Approved By T.B.		
Angular ± 3°	Title 3 "AA" BATTERY HOLDER FOR MEMORY BACKUP		
	Date 04/12/19	Drawing Number BK-1280-PC6	