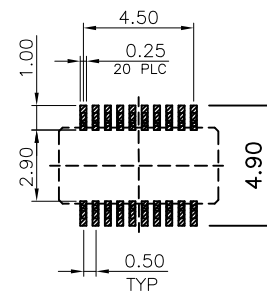
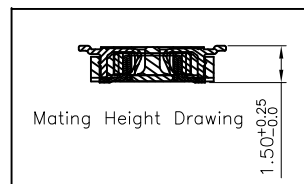
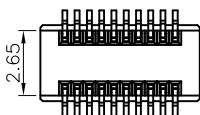
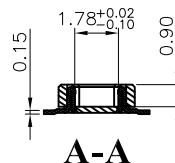
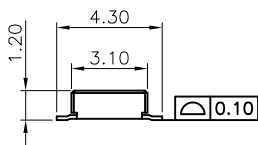
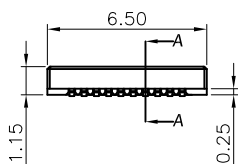
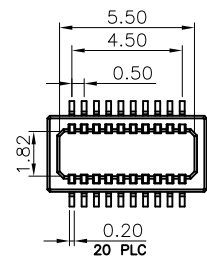


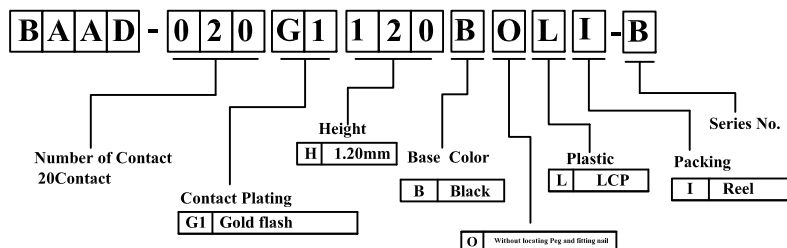
Compliance with:
 PCIe4.0(GT/S),
 USB4 Gen3(40Gbps),
 USB3.2 Gen2(10Gbps).
 Mating with:
 "BBAD-020G1145NOLI-B"



▨ : STAND OFF AREA

P.C.B LAYOUT

RoHS compliant



REV.	DESCRIPTION	DATE
A	New Drawing	2016/04/26

LTR	Part Name	Material	Description	QTY
1	Housing	LCP UL94V-0	260°C for 10 Seconds. Initial : 1000M Ohms Min.	1
2	Contact	Bronze C5191	Current Rating : 0.5 A Initial : 30m Ohms Max.	20

Temperature Rating : -40°C ~ +105°C .
 Dielectric Withstanding Voltage : 300 V AC/Min

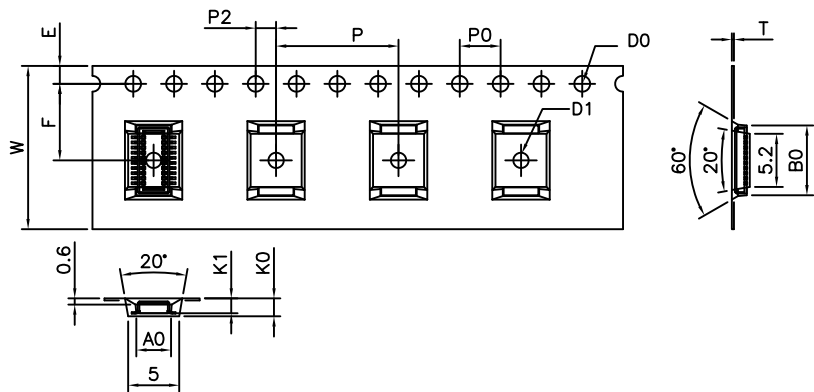
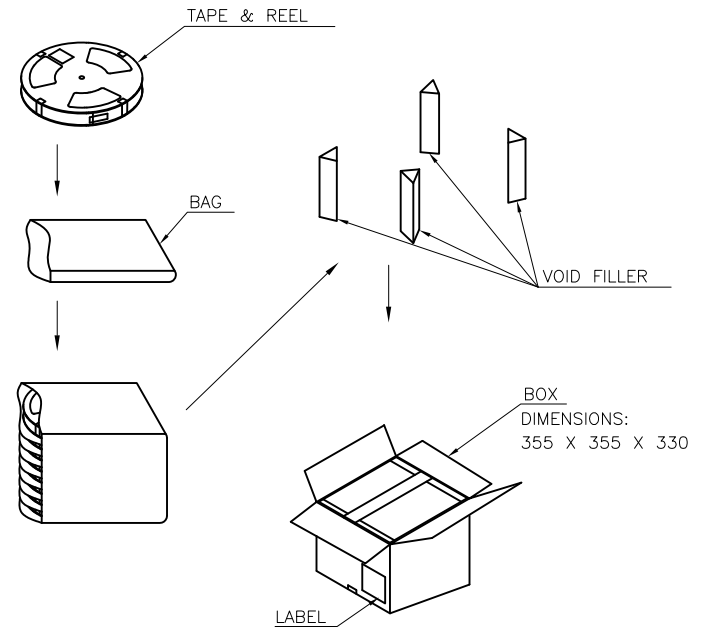
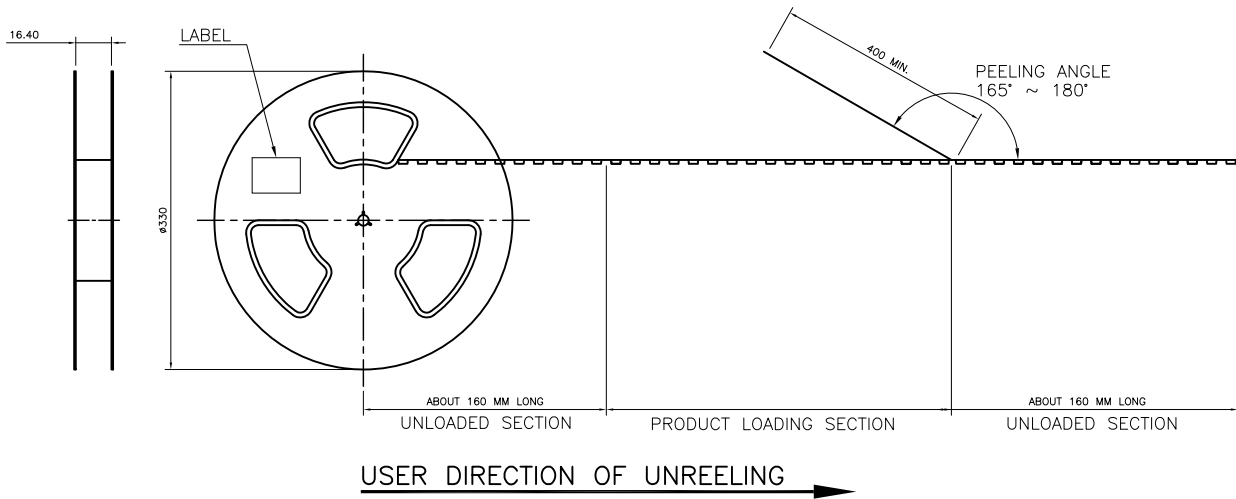
Superior Tech Co., Ltd.

REV.	UNIT	SCALE	
A	mm	1:1	

General Tolerance		TITLE	PH0.5 BT0B H1.2 20PIN Female	
X. ± 0.5		DRAWN Tom	DATE	NO.
.X ± 0.3			04-26-16'	002
.XX ± 0.2		CHECK	DATE	PART NO.
.XXX ± 0.1		APPROVED	DATE	BAAD-020G1120BOLI-B
Angle	± 5°		DATE	CUSTOMER NO.

(Q2-R03-01A) ST-R05-07

REV.	DESCRIPTION	DATE
A	New Drawing	2013/12/09



Note:
 1.All dimensions meet EIA-481-C requirements.
 2.Thickness : 0.3±0.05mm

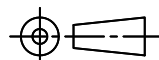
ITEM	W	A ₀	B ₀	K ₀	K ₁	P	T
DIM	16.0 ^{+0.30} _{-0.30}	3.4±0.1	6.85±0.1	1.75±0.1	1.45±0.1	12.0±0.1	10.30±0.05
ITEM	F	E	D ₀	D ₁	P ₀	P ₂	
DIM	7.5±0.1	1.75±0.1	1.50 ^{+0.10} _{-0.00}	1.50 ^{+0.10} _{-0.00}	4.00±0.1	2.00±0.1	

PIN No.	PCS/R	R/CTN
20PIN	2800 PCS	14 R

Superior Tech Co., Ltd.

General Tolerance		TITLE BAAD-020G1120BOLI-B Packing	
X. ± 0.5	DRAWN Tom	DATE 2013/12/09	NO. 002
.X ± 0.3		CHECK	PART NO. BAAD-020G1120BOLI-B
.XX ± 0.2	APPROVED	DATE	CUSTOMER NO. DK
.XXX ± 0.1		DATE	
Angle ± 5°			

REV.	UNIT	SCALE
A	mm	1:1



(Q2-R03-01A) ST-R05-07