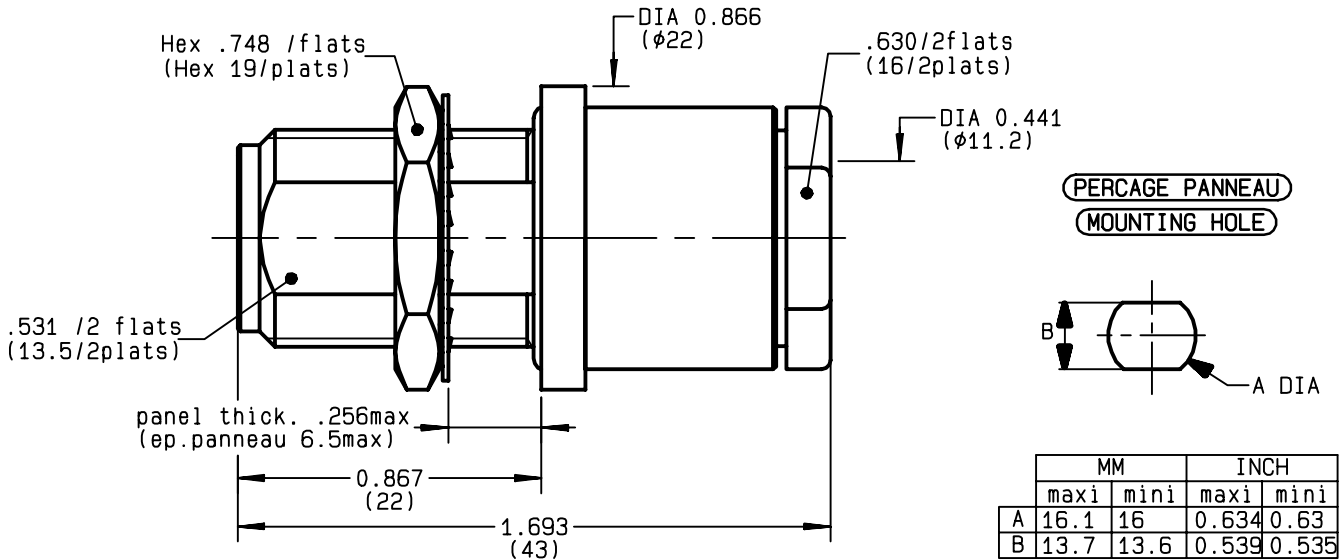


**STRAIGHT BULKHEAD JACK PANEL SEAL  
CLAMP TYPE - CABLE 10+11/50+75 S+D**

**R161.332.000**  
**SERIES N**



NOMINAL IMPEDANCE	<b>50</b>	Ω
FREQUENCY RANGE	<b>0-11</b>	GHz
TEMPERATURE RATING	<b>-55/+155</b>	°C
V.S.W.R	<b>1.30</b> +	x F(GHz)Maxi
RF INSERTION LOSS	<b>0.048</b>	√F(GHz) dB Maxi
VOLTAGE RATING	<b>1400</b>	Veff Maxi
DIELECTRIC WITHSTANDING VOLTAGE	<b>2500</b>	Veff Mini
INSULATION RESISTANCE	<b>5000</b>	MΩMini
HERMETIC SEAL	<b>NA</b>	Atm.cm <sup>3</sup> /s
LEAKAGE (pressurized only)	<b>IP 67</b>	
MECHANICAL DURABILITY	<b>500</b>	Cycles
WEIGHT	<b>54.5</b>	gr
SPECIFICATION		

CABLES :	<b>KX 4</b>
	<b>KX 8</b>
	<b>RG 11</b>
	<b>RG 144</b>
	<b>RG 165</b>
	<b>RG 213</b>
	<b>RG 214</b>
	<b>RG 216</b>
	<b>RG 225</b>
	<b>RG 393</b>
OTHERS CHARACTERISTICS	
CABLE RETENTION	<b>300</b> N Mini
CENTER CONTACT RETENTION	
Axial force - mating end	<b>NA</b> N Mini
Axial force - opposite end	<b>NA</b> N Mini
Torque	<b>NA</b> cm.N Mini
RECOMMENDED TORQUES	
Mating	<b>NA</b> cm.N
Panel nut	<b>500</b> cm.N
Clamp nut	<b>800</b> cm.N

CONNECTOR PARTS:	MATERIALS	FINISH	(all values are given in micrometers)
BODY	BRASS	BBR 2	
OUTER CONTACT	BRASS	BBR 2	
CENTER CONTACT	BERYLLIUM COPPER	GOLD 0.5 OVER NICKEL 2	
INSULATOR	PTFE	-	
GASKET	SILICONE RUBBER	-	
OTHERS PIECES	BRASS	BBR 2	

BONMINI

ISSUE	CREATION DATE	FILE PART-NUMBER
<b>9726R04</b>	<b>09/11/1992</b>	



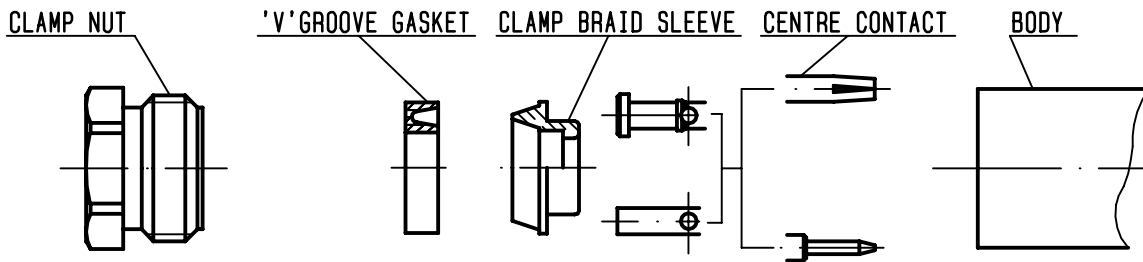
The information given here is subject to change without notice. Design changes may be in order to improve the product.

*Connect to the future*



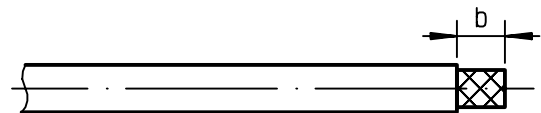
**R161.332.000**

ISSUE 9726R04 SERIES N



①

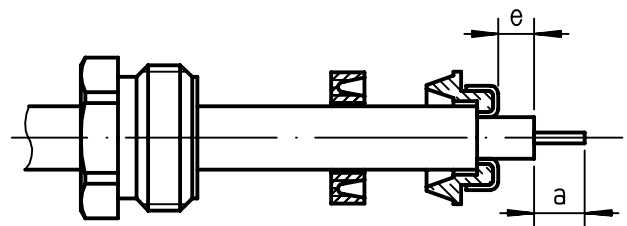
Strip the cable .  
-  
-  
-



Stripping	a	b	c	d	e
inch	0.197	0.335	0	0	0.059
mm	5	8.5			1.5

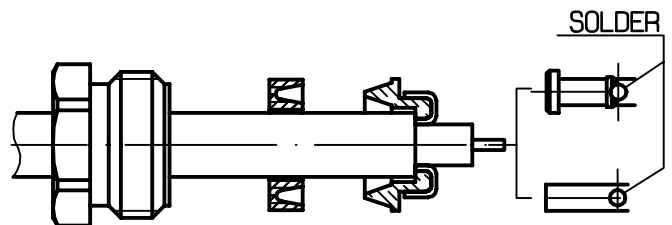
②

Slide the clamp nut and the 'V' groove gasket onto the cable .  
Slide clamp braid sleeve over braid .  
Fold back braid and trim off surplus braid .  
Trim back dielectric as shown .  
-



③

Solder the cable inner conductor into centre contact .  
-  
-  
-



④

Screw sub-assembly into the connector body .  
( recommended coupling torque 70.8 in.lb )  
-  
-

