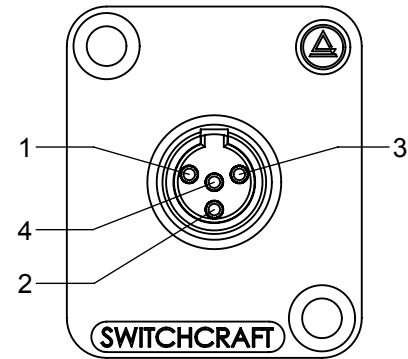
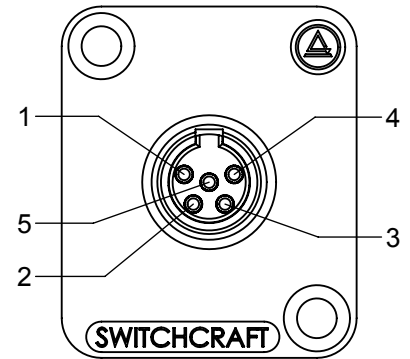


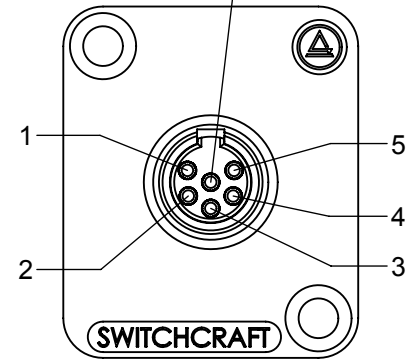
**EHT3M**  
3 PIN



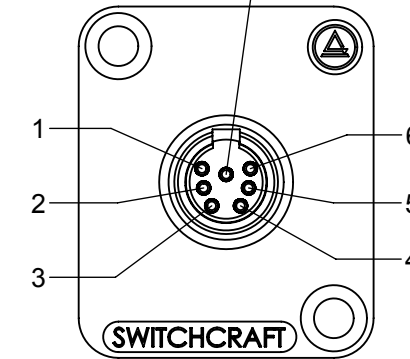
**EHT4M**  
4 PIN



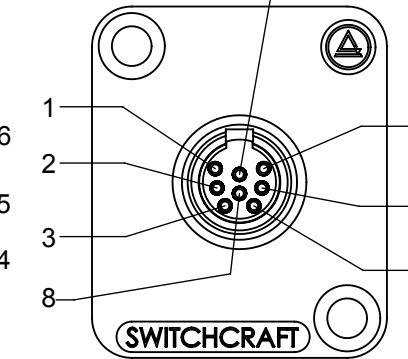
**EHT5M**  
5 PIN



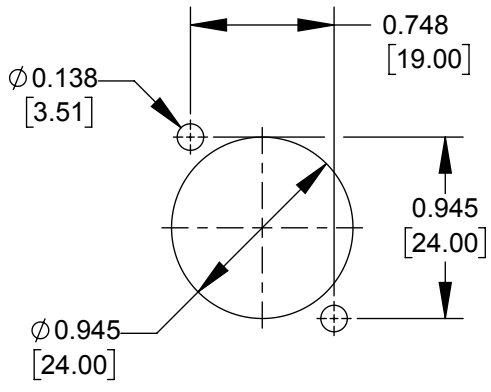
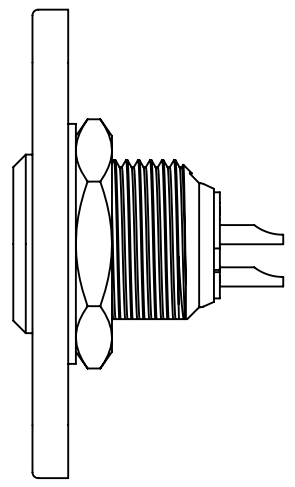
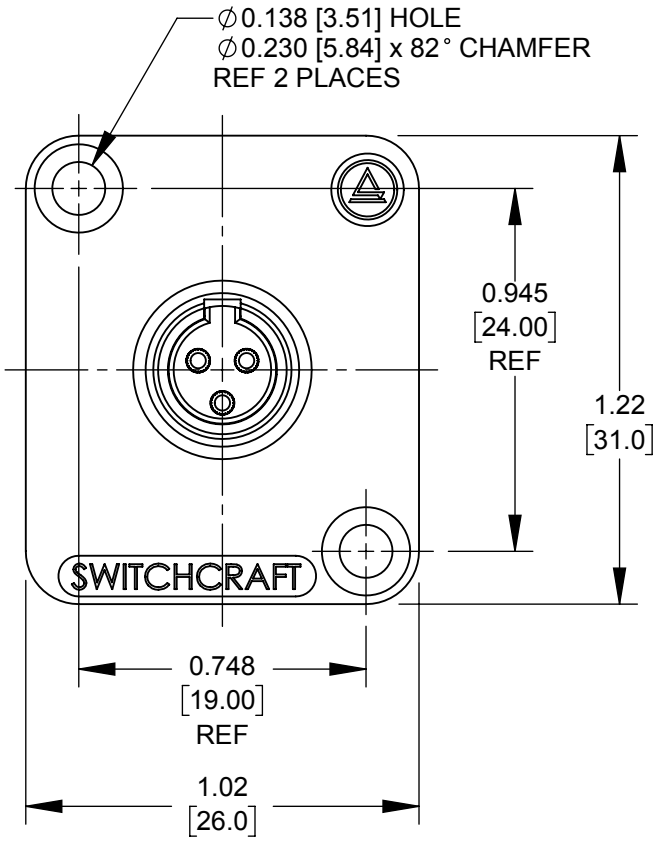
**EHT6M**  
6 PIN



**EHT7M**  
7 PIN



**EHT8M**  
8 PIN



RECOMMENDED  
PANEL CUT - OUT

**EHT**     **M**

NUMBER OF CONTACTS

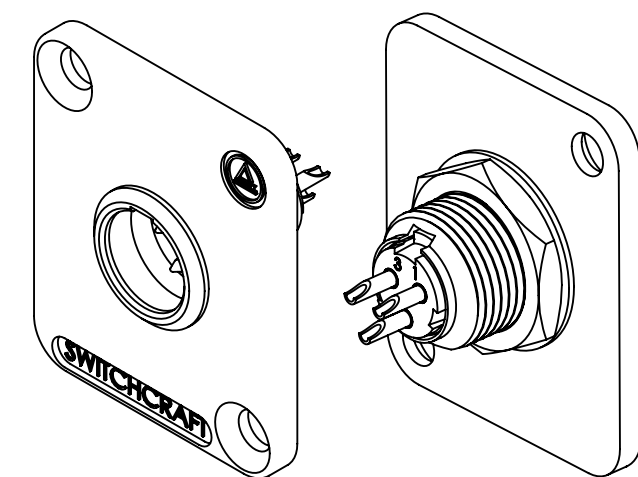
- 3 - 3 CONTACTS
- 4 - 4 CONTACTS
- 5 - 5 CONTACTS
- 6 - 6 CONTACTS
- 7 - 7 CONTACTS
- 8 - 8 CONTACTS

MALE CONNECTOR

BLANK - BULK PACKAGING  
PKG - INDIVIDUAL PACKAGE  
WITH #4-40 x 0.50 LONG SCREWS

CONTACT PIN PLATING  
BLANK - SILVER (STANDARD)  
AU - GOLD

MOUNTING PLATE & CONNECTOR HOUSING FINISH  
BLANK - NICKEL  
B - BLACK



**CUSTOMER DRAWING**

**NOTES:**

**1. MATERIALS:**

MOUNTING PLATE - ZINC ALLOY, NICKEL PLATED OR BLACK PAINTED  
CONNECTOR HOUSING - COPPER ALLOY, NICKEL PLATED OR BLACK CHROME  
INSERT - THERMOPLASTIC, BROWN  
CONTACT PINS - COPPER ALLOY, SILVER OR GOLD PLATED  
WASHER - COPPER ALLOY, NICKEL PLATED  
NUT - COPPER ALLOY, NICKEL PLATED

**2. THIS PRODUCT IS RoHS COMPLIANT.**

REV	ECO NUMBER	DATE	BY	APVD
A	27402	2-13-15	PC	TJK
REVISIONS				

UNLESS OTHERWISE SPECIFIED  
1. ALL DIMENSIONS IN INCHES [mm]  
- TWO PLACE DECIMALS ±0.02 [0.5]  
- THREE PLACE DECIMALS ±0.005 [0.13]

DO NOT SCALE DRAWING

THIS DRAWING DESCRIBES A DESIGN CONSIDERED PROPRIETARY IN NATURE, DEVELOPED AND MANUFACTURED BY SWITCHCRAFT INC. AND IS RELEASED ON A CONFIDENTIAL BASIS FOR IDENTIFICATION PURPOSES ONLY.									
SIZE	WIDTH	MULT	LBS/M	TEMPER					
FINISH					MATERIAL				
SPEC No.					SPEC No.				
FIRST USED ON					SCALE				
					2:1				
DATE DRAWN	BY	CHKD	APVD						
12-14-12	SRC	SRC	TJK						
			12-14-12	2-13-15					
NAME MALE TINI QG SERIES					PART No.				
WITH EH SERIES MOUNTING					EHT3M - EHT8M SERIES				
					REV				
					A				