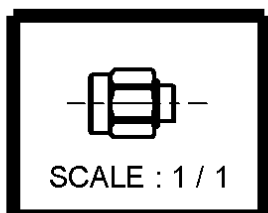
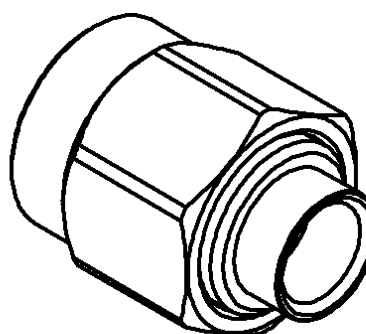
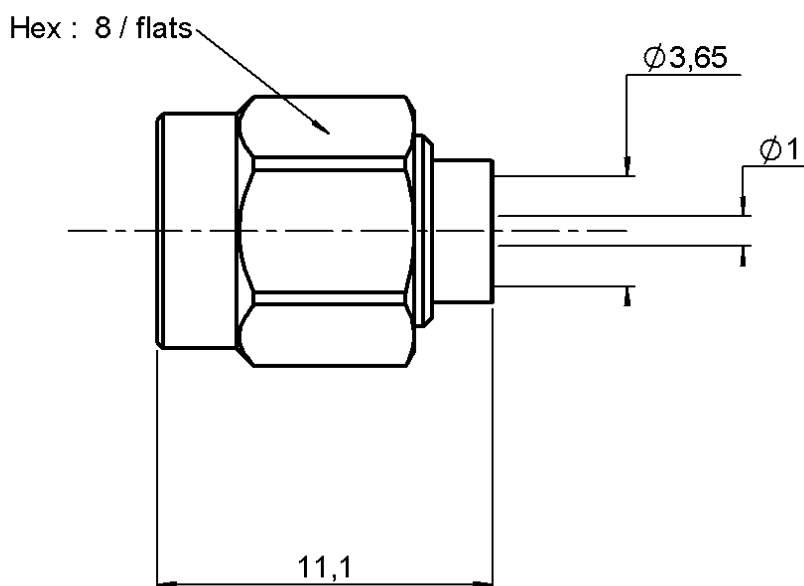


**STRAIGHT PLUG SOLDER TYPE**

**R125.055.000**

**CABLE .141**

Series : SMA



All dimensions are in mm.



COMPONENTS	MATERIALS	PLATINGS (µm)
BODY	STAINLESS STEEL	GOLD 0.5 OVER NICKEL 2
CENTER CONTACT	BRASS	GOLD 1.3 OVER NICKEL 2
OUTER CONTACT	-	-
INSULATOR	PTFE	-
GASKET	SILICONE RUBBER	-
OTHERS PARTS	STAINLESS STEEL	GOLD 0.5 OVER NICKEL 2
-	-	-
-	-	-

Issue : 0701 M

In the effort to improve our products, we reserve the right to make changes judged to be necessary.



**STRAIGHT PLUG SOLDER TYPE**

**R125.055.000**

**CABLE .141**

Series : SMA

**PACKAGING**

Standard	Unit	Other
<b>100</b>	<b>'W' option</b>	<b>Contact us</b>

**SPECIFICATION**

**CABLE ASSEMBLY**

Stripping	a	b	c	d	e	f
mm	3,17	0,00	0,00	0,00	0,00	0,00

**ELECTRICAL CHARACTERISTICS**

Assembly instruction : **Solder 01**  
 Recommended cable(s)  
 RG 402  
 KS 2  
 Characteristics indicated on this data sheet are those that can be achieved with the highest performance cable. Intrinsic limitations of the cable may diminish the performance of the assembly  
 Cable retention  
 - pull off **270 N mini**  
 - torque **NA N.cm**

Impedance **50 Ω**  
 Frequency **0-26.5 GHz**  
 VSWR **1.05 + 0,0080** x F(GHz) Maxi  
 Insertion loss **0.03** √F(GHz) dB Maxi  
 RF leakage - (**90** - F(GHz)) dB Maxi  
 Voltage rating **500** Veff Maxi  
 Dielectric withstanding voltage **1000** Veff mini  
 Insulation resistance **5000** MΩ mini

**TOOLING**

Part Number	Description	Hexagon
.	.	.
R282.053.000	STRIPPING TOOL	
R282.067.000	POINTER GAUGE	
. And - (et)		
R282.120.010	SMA TOOLBOX	
. Or spare tools	-	
R282.730.040	INSULATOR MOUNTING TOOL	
R282.740.000	SOLDERING MOUNTING	
R282.744.061	SOLDERING POSITIONER (BODY)	
R282.744.220	SOLDERING POSITIONER (CENTER CONTACT)	
R282.862.060	CONTROL GAUGE	
R282.915.010	DIELECTRIC RECESS TOOL	
R282.914.000	CONTROLE GAUGE	

**MECHANICAL CHARACTERISTICS**

Center contact retention  
 Axial force – Mating end **NA N mini**  
 Axial force – Opposite end **NA N mini**  
 Torque **NA N.cm mini**

Recommended torque  
 Mating **100 N.cm**  
 Panel nut **NA N.cm**  
 Clamp nut **NA N.cm**  
 A/F clamp nut **0,0000 mm**

Mating life **500 Cycles mini**  
 Weight **2,2280 g**

**ENVIRONMENTAL**

Operating temperature **-65/+105 °C**  
 Hermetic seal **NA Atm.cm3/s**  
 Panel leakage **NA**

**OTHERS CHARACTERISTICS**

Pb-free process compatible

Issue : 0701 M

In the effort to improve our products, we reserve the right to make changes judged to be necessary.

