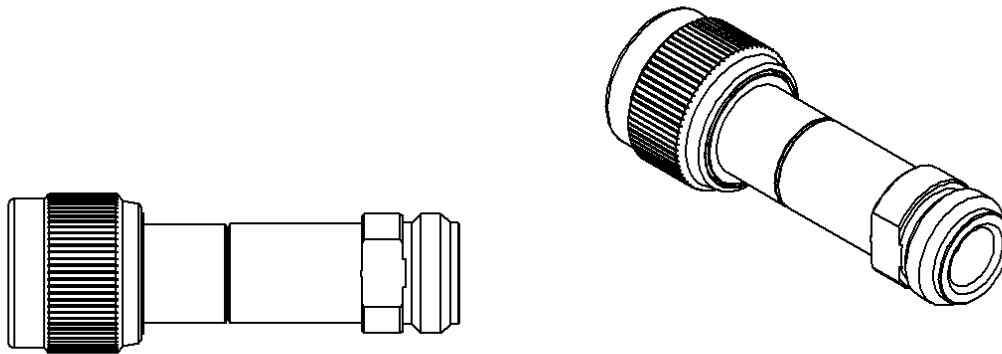
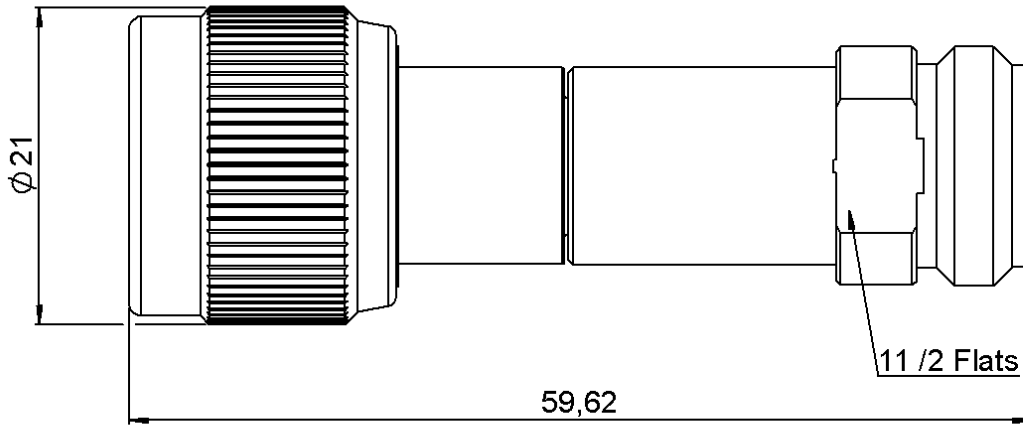


**N ATTENUATOR**  
**40 DB 12.4 GHZ 2W**

**R414.740.000**  
 Series : ATTENUATOR



SCALE 1:1

All dimensions are in mm.

COMPONENTS	MATERIALS	PLATING(µm)
<b>BODY</b>	<b>LAITON</b>	<b>NICKEL 5</b>
<b>MALE CENTER CONTACT</b>	<b>CUPRO BERYLLIUM</b>	<b>OR 2.5 SUR NICKEL 1</b>
<b>FEMALE CENTER CONTACT</b>	<b>CUPRO BERYLLIUM</b>	<b>OR 2.5 SUR NICKEL 1</b>
<b>OUTER CONTACT</b>		
<b>INSULATOR</b>	<b>PTFE</b>	
<b>GASKET</b>	<b>ELASTOMERE SILICONE</b>	
<b>SUBSTRATE</b>	<b>ALUMINE</b>	
<b>RESISTOR</b>	<b>Couche mince</b>	
<b>OTHERS PARTS</b>		

Issue : 0817 R

In the effort to improve our products, we reserve the right to make changes judged to be necessary.

**N ATTENUATOR**  
**40 DB 12.4 GHZ 2W**

**R414.740.000**  
 Series : ATTENUATOR

**ELECTRICAL CHARACTERISTICS**

Frequency (GHz)	DC - 4	4 - 8	8 - 12.4
V.S.W.R (≤)	1.15	1.20	1.25
Deviation(±dB)	0.80	0.80	1.30

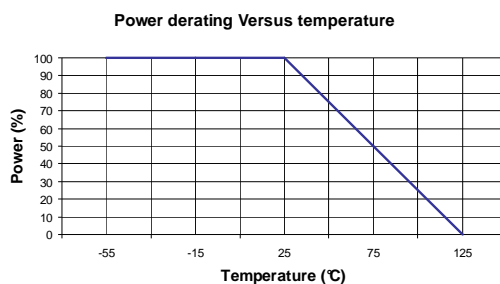
Operating Frequency Range	DC - 12.4	GHz
Impedance	50	Ω
Nominal Attenuation	40	dB
Peak power at 25°C (1μs, 1%)	100	W
Average power at 25°C	2	W (Free Air Cooled)
		W (Conduction Cooled)

**MECHANICAL CHARACTERISTICS**

Connectors            N            Male Female    MIL-C 39012  
 Weight                70,3300 g

**ENVIRONMENTAL CHARACTERISTICS**

Operating temperature range            -55 /+125 °C  
 Storage temperature range              -55 /+125 °C



**SPECIFICATION**

**OTHER CHARACTERISTICS**

Issue : 0817 R

In the effort to improve our products, we reserve the right to make changes judged to be necessary.