

EJ Series

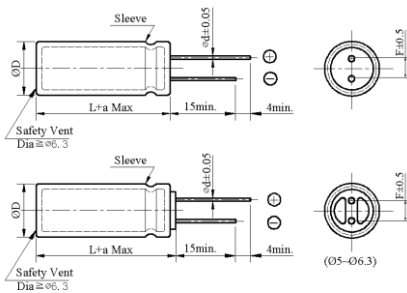
- Low impedance and High ripple current
- Load life 3,000 to 5,000 hours at 105°C



◆ SPECIFICATIONS

Item	Performance Characteristics																
Category Temperature Range	-55~ +105°C																
Working Voltage Range	6.3 ~ 63Vdc																
Capacitance Range	10 ~ 10,000µF																
Capacitance Tolerance	±20% (at 25°C and 120Hz)																
Dissipation Factor (tanδ) (at 25°C, 120Hz)	<table border="1"> <tr> <td>Rated Voltage (V)</td> <td>6.3</td> <td>10</td> <td>16</td> <td>25</td> <td>35</td> <td>50</td> <td>63</td> </tr> <tr> <td>tanδ(Max)</td> <td>0.22</td> <td>0.19</td> <td>0.16</td> <td>0.14</td> <td>0.12</td> <td>0.10</td> <td>0.09</td> </tr> </table>	Rated Voltage (V)	6.3	10	16	25	35	50	63	tanδ(Max)	0.22	0.19	0.16	0.14	0.12	0.10	0.09
	Rated Voltage (V)	6.3	10	16	25	35	50	63									
tanδ(Max)	0.22	0.19	0.16	0.14	0.12	0.10	0.09										
The above values should be increased by 0.02 for every additional 1000µF																	
Leakage Current	I=0.01CV or 3µA whichever is greater I : Leakage current (µA) C : Rated capacitance (µF) V : Rated voltage (V) Impress the rated voltage for 2 minutes																
Low Temperature Characteristics Impedance Ratio(MAX)	<table border="1"> <tr> <td>Rated voltage (V)</td> <td>6.3</td> <td>10</td> <td>16</td> <td>25</td> <td>35</td> <td>50</td> <td>63</td> </tr> <tr> <td>Z(-55°C)/Z(+20°C)</td> <td>4</td> <td>3</td> <td>3</td> <td>3</td> <td>3</td> <td>3</td> <td>3</td> </tr> </table>	Rated voltage (V)	6.3	10	16	25	35	50	63	Z(-55°C)/Z(+20°C)	4	3	3	3	3	3	3
	Rated voltage (V)	6.3	10	16	25	35	50	63									
Z(-55°C)/Z(+20°C)	4	3	3	3	3	3	3										
(at 120Hz)																	
Endurance	The following specifications shall be satisfied when the capacitors are restored to 25 °C after subjected to DC voltage with the rated ripple current is applied for 3,000~5,000 hours at 105 °C																
	<table border="1"> <tr> <td>Capacitance change</td> <td>≒ ±25% of the initial value</td> <td>Size</td> <td>Life time (hours)</td> </tr> <tr> <td>Dissipation factor(tanδ)</td> <td>≒ 200% of the specified value</td> <td>≤ 6.3Φ</td> <td>3,000</td> </tr> <tr> <td>Leakage current</td> <td>≒ specified value</td> <td>= 8 Φ</td> <td>4,000</td> </tr> <tr> <td></td> <td></td> <td>≒ 10 Φ</td> <td>5,000</td> </tr> </table>	Capacitance change	≒ ±25% of the initial value	Size	Life time (hours)	Dissipation factor(tanδ)	≒ 200% of the specified value	≤ 6.3Φ	3,000	Leakage current	≒ specified value	= 8 Φ	4,000			≒ 10 Φ	5,000
	Capacitance change	≒ ±25% of the initial value	Size	Life time (hours)													
	Dissipation factor(tanδ)	≒ 200% of the specified value	≤ 6.3Φ	3,000													
Leakage current	≒ specified value	= 8 Φ	4,000														
		≒ 10 Φ	5,000														
Shelf Life	The following requirements shall be satisfied when the capacitor are restored to 25 °C after exposing them for 1,000 hours at 105 °C without voltage applied.																
	<table border="1"> <tr> <td>Capacitance change</td> <td>≒ ±25% of the initial value</td> </tr> <tr> <td>Dissipation factor(tanδ)</td> <td>≒ 200% of the specified value</td> </tr> <tr> <td>Leakage current</td> <td>≒ 200% of the specified value</td> </tr> </table>	Capacitance change	≒ ±25% of the initial value	Dissipation factor(tanδ)	≒ 200% of the specified value	Leakage current	≒ 200% of the specified value										
	Capacitance change	≒ ±25% of the initial value															
	Dissipation factor(tanδ)	≒ 200% of the specified value															
Leakage current	≒ 200% of the specified value																
Others	Conforms to JIS-C-5101-4 (1998), characteristic W																

◆ DIMENSIONS (mm)



ΦD	5	6.3	8	10	12.5	16	18
ΦD	ΦD + 0.5 Max						
Φd	0.5	0.5	0.6	0.6	0.6	0.8	0.8
F	2.0	2.5	3.5	5.0	5.0	7.5	7.5
a	L + 1.5 Max				≤ 35 L+1.5Max ≥ 40 L+2.0 Max	L + 1.5 Max	

◆ PART NUMBER SYSTEM(Example : 6.3V 10000 µF)

E J 0 J 1 0 3 M N N 1 6 P 1

Special Request

Size code(16P1 : 16×35.5)

Lead length code

Lead forming Type code

Capacitance tolerance code(M: ±20%)

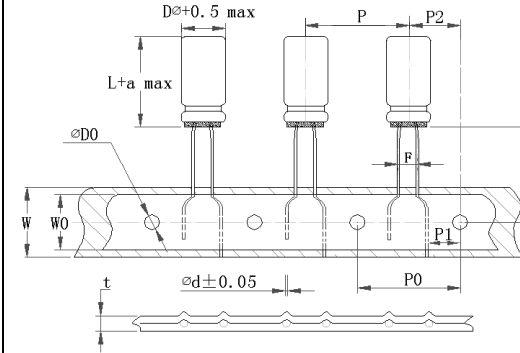
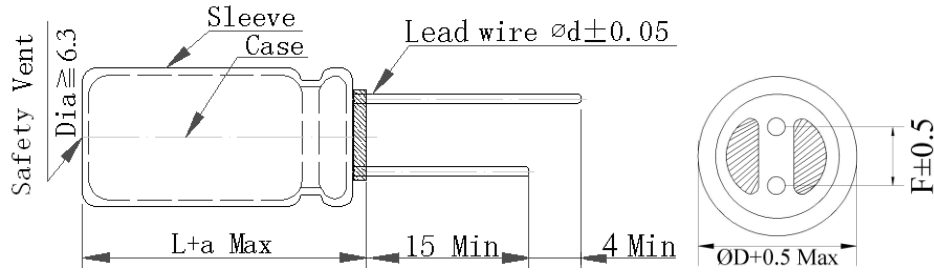
Capacitance code (10000µF)

Voltage code (6.3V)

Series code (EJ)

Aluminum Electrolytic Capacitor

Customer	Digi-Key	SERIES	EJ	NO.:	PUBLISH DATE	2022-03-25
-----------------	-----------------	---------------	-----------	-------------	---------------------	-------------------



Unit (mm):

P=12.7±1.0

H=18.5±0.5

P0=12.7±0.2

P1=3.85±0.5

P2=6.35±1.0

W=18.0±0.5

F=2.5+0.8/-0.2

W0=12.5MIN

ΦD0=4.0±0.2

t=0.7±0.2

Original

FIG-1

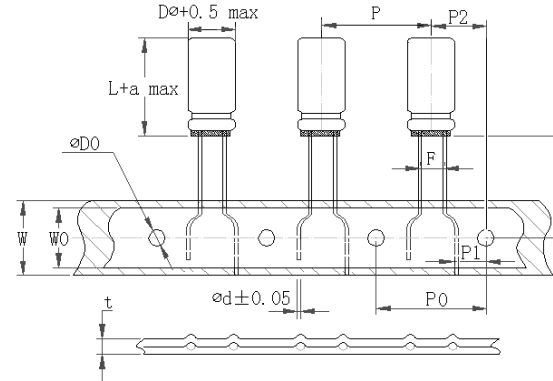
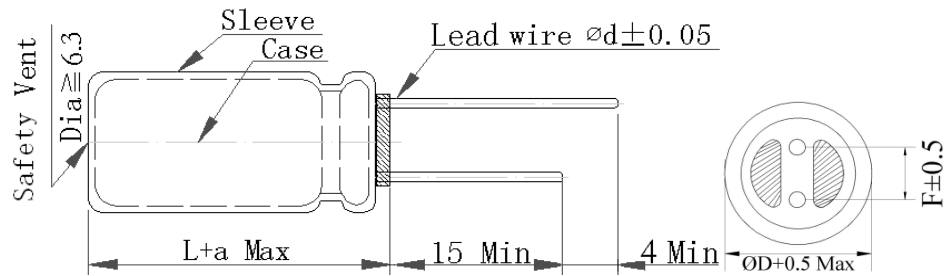
No.	CHINSAN Part No.	Customer Part No.	Capacitance (uF)	Tolerance On rated Capacitance (%)	Working Voltage (Vdc)	Surge Voltage (Vdc)	Category Temp Range (°C)	Tanδ @ 25°C (120Hz) (Max)	Leakage Current (uA) (2 min.)	Rated Ripple Current (mA rms) @ 105°C 120Hz	Rated Ripple Current (mA rms) @ 105°C 100kHz	Impedance @20°C (mΩ max/ 100kHz)	Endurance @ 105°C (Hours)	Dimensions (mm)					Appearance Drawing No
														D Φ	L	a	d	F	
1	EJ1E470MP20511EF2U	/	47 μF	±20%	25 V	/	-55~+105	/	/	/	210	1000	2000	5	11	/	/	2.5	FIG-1
2	EJ1C470MP20511EU	/	47 μF	±20%	16 V	/	-55~+105	/	/	/	155	900	3000	5	11	/	/	2.5	FIG-1
3	EJ1H100MP20511U	/	10 μF	±20%	50 V	/	-55~+105	/	/	/	140	1800	3000	5	11	/	/	2.5	FIG-1
4	EJ1C470MP20511U	/	47 μF	±20%	16 V	/	-55~+105	/	/	/	155	800	3000	5	11	/	/	2.5	FIG-1
5	EJ1V330MNN0511U	/	33 μF	±20%	35 V	/	-55~+105	/	/	/	210	1200	3000	5	11	/	/	2	Original

※Test leakage current before testing dissipation factor and capacitance during the electric characteristic test.

REMARKS:	APPROVED BY	CHECKED BY	PREPARED BY
1.Sleeve Color: Brown. 2.Suffix U indicates convex rubber cover. 3. Suffix F2 indicates the life of the capacitor is 2000 hrs.	张洪斌	曾爱娥	梁慧妍

Aluminum Electrolytic Capacitor

Customer	Digi-Key	SERIES	EJ	NO.:	PUBLISH DATE	2022-03-25
----------	----------	--------	----	------	--------------	------------



Unit (mm):

P=12.7±1.0 H=18.5±0.5
P0=12.7±0.2 P1=3.85±0.5
P2=6.35±1.0 W=18.0±0.5
F=2.5+0.8/-0.2 W0=12.5MIN
ΦD0=4.0±0.2 t=0.7±0.2

Original

FIG-1

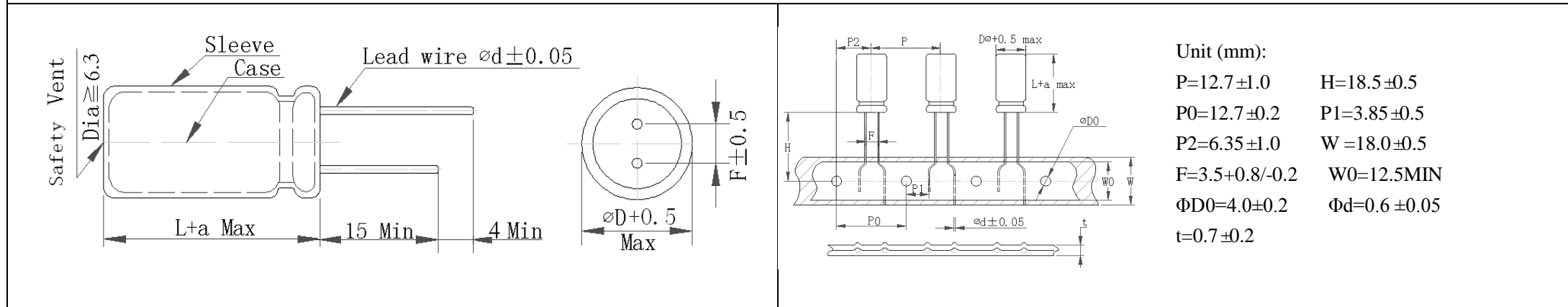
No.	CHINSAN Part No.	Customer Part No.	Capacitance (uF)	Tolerance On rated Capacitance (%)	Working Voltage (Vdc)	Surge Voltage (Vdc)	Category Temp Range (°C)	Tanδ @ 25°C (120Hz) (Max)	Leakage Current (uA) (2 min.)	Rated Ripple Current (mA rms) @ 105°C 120Hz	Rated Ripple Current (mA rms) @ 105°C 100kHz	Impedance @20°C (mΩ max/ 100kHz)	Endurance @ 105°C (Hours)	Dimensions (mm)					Appearance Drawing No
														DΦ	L	a	d	F	
1	EJ1E101MP26311U	/	100 μF	±20%	25 V	/	-55~+105	/	/	170	340	850	3000	6.3	11	/	/	2.5	FIG-1
2	EJ1C101MP26311RU	/	100 μF	±20%	16 V	/	-55~+105	/	/	/	265	/	3000	6.3	11	/	/	2.5	FIG-1
3	EJ1V101MP26311P9U	/	100 μF	±20%	35 V	/	-55~+105	/	/	/	300	550	3000	6.3	11	/	/	2.5	FIG-1
4	EJ1V151MP26311U	/	150 μF	±20%	35 V	/	-55~+105	/	/	/	450	350	3000	6.3	11	/	/	2.5	FIG-1
5	EJ1E101MNN6311U	/	100 μF	±20%	25 V	/	-55~+105	/	/	/	340	850	3000	6.3	11	/	/	2.5	Original

※Test leakage current before testing dissipation factor and capacitance during the electric characteristic test.

REMARKS:	APPROVED BY	CHECKED BY	PREPARED BY
1.Sleeve Color: Brown. 2.Suffix P9 : indicates Black PET sleeve. 3.Suffix U indicates convex rubber cover.	张洪斌	曾爱娥	梁慧妍

Aluminum Electrolytic Capacitor

Customer	Digi-Key	SERIES	EJ	NO.:	PUBLISH DATE	2022-03-25
-----------------	-----------------	---------------	-----------	-------------	---------------------	-------------------



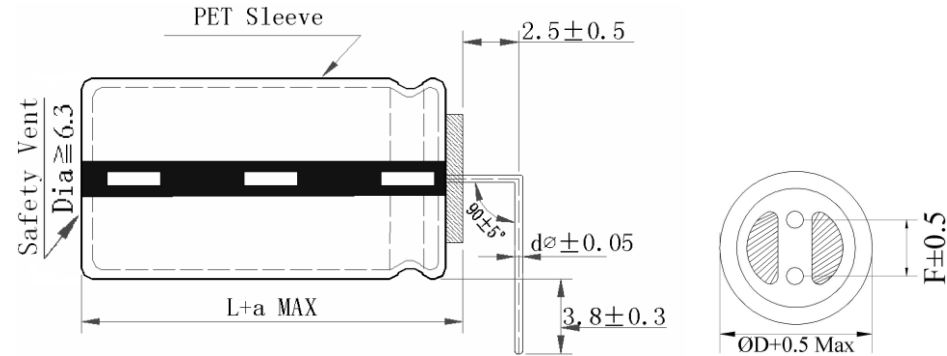
Original										FIG-1									
No.	CHINSAN Part No.	Customer Part No.	Capacitance (uF)	Tolerance On rated Capacitance (%)	Working Voltage (Vdc)	Surge Voltage (Vdc)	Category Temp Range (°C)	Tanδ @ 25°C (120Hz) (Max)	Leakage Current (uA) (2 min.)	Rated Ripple Current (mA rms) @ 105°C 120Hz	Rated Ripple Current (mA rms) @ 105°C 100kHz	Impedance @20°C (mΩ max/ 100kHz)	Endurance @ 105°C (Hours)	Dimensions (mm)					Appearance Drawing No
														DΦ	L	a	d	F	
1	EJ1H101MP30812	/	100 μF	±20%	50 V	/	-55~+105	/	/	/	555	250	4000	8	12	/	/	3.5	FIG-1
2	EJ1V101MNN0812ER	/	100 μF	±20%	35 V	/	-55~+105	/	/	/	445	170	4000	8	12	/	/	3.5	Original

※Test leakage current before testing dissipation factor and capacitance during the electric characteristic test.

REMARKS:	APPROVED BY	CHECKED BY	PREPARED BY
Sleeve Color: Brown.	张洪斌	曾爱娥	梁慧妍

Aluminum Electrolytic Capacitor

Customer	Digi-Key	SERIES	EJ	NO.:	PUBLISH DATE	2022-03-25
-----------------	-----------------	---------------	-----------	-------------	---------------------	-------------------



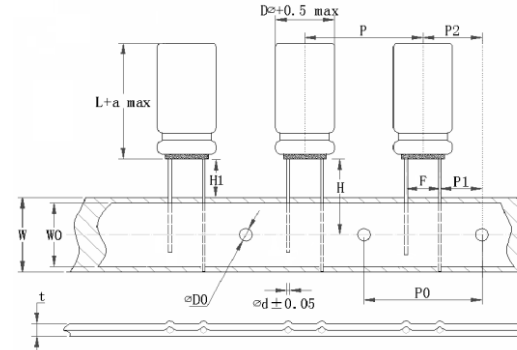
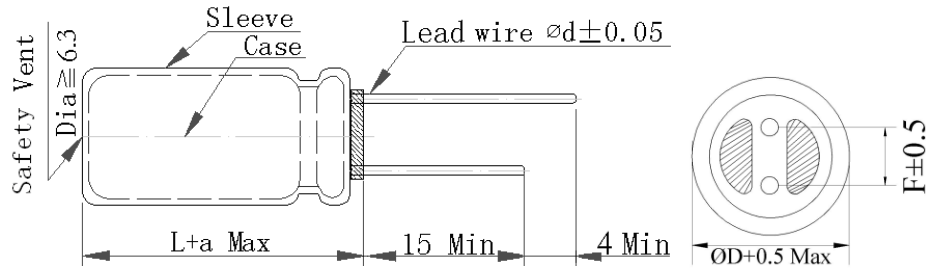
No.	CHINSAN Part No.	Customer Part No.	Capacitance (uF)	Tolerance On rated Capacitance (%)	Working Voltage (Vdc)	Surge Voltage (Vdc)	Category Temp Range (°C)	Tan δ @ 25°C (120Hz) (Max)	Leakage Current (uA) (2 min.)	Rated Ripple Current (mA rms) @ 105°C 120Hz	Rated Ripple Current (mA rms) @ 105°C 100kHz	Impedance @20°C (m Ω max/ 100kHz)	Endurance @ 105°C (Hours)	Dimensions (mm)					Appearance Drawing No
														D Φ	L	a	d	F	
1	EJ1E221MLT0812UR	/	220 μ F	$\pm 20\%$	25 V	/	-55~+105	/	/	/	730	1300	4000	8	12	/	/	3.5	---

※Test leakage current before testing dissipation factor and capacitance during the electric characteristic test.

REMARKS:	APPROVED BY	CHECKED BY	PREPARED BY
1.Sleeve Color: Brown. 2.Suffix U indicates convex rubber cover.	张洪斌	曾爱娥	梁慧妍

Aluminum Electrolytic Capacitor

Customer	Digi-Key	SERIES	EJ	NO.:	PUBLISH DATE	2022-03-25
----------	----------	--------	----	------	--------------	------------



Unit (mm):

$P=12.7 \pm 1.0$	$H=18.5 \pm 0.5$
$P_0=12.7 \pm 0.2$	$W=18.0 \pm 0.5$
$P_1=3.85 \pm 0.5$	$W_0=12.5 MIN$
$P_2=6.35 \pm 1.0$	$\phi D_0=4.0 \pm 0.2$
$F=5.0 \pm 0.8 / -0.2$	$t=0.7 \pm 0.2$
$H_1=9.5 \pm 1.0$	

Original

FIG-1

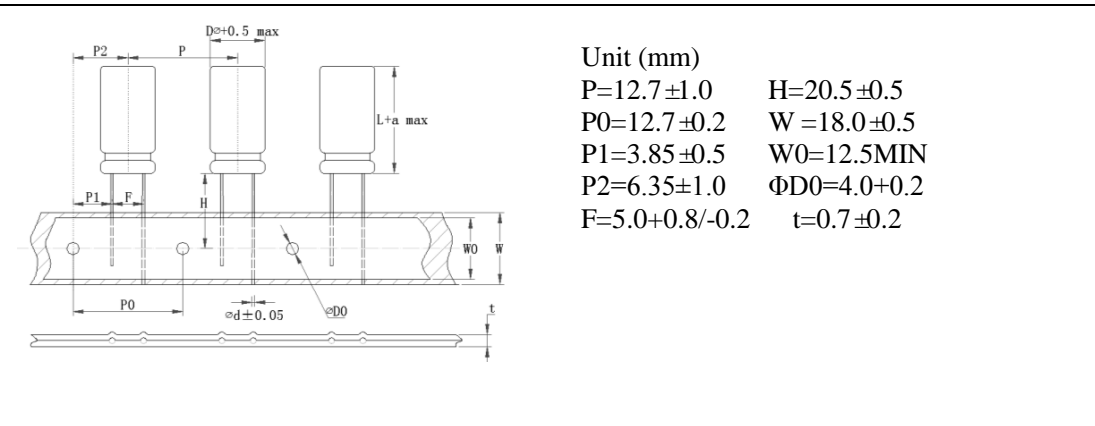
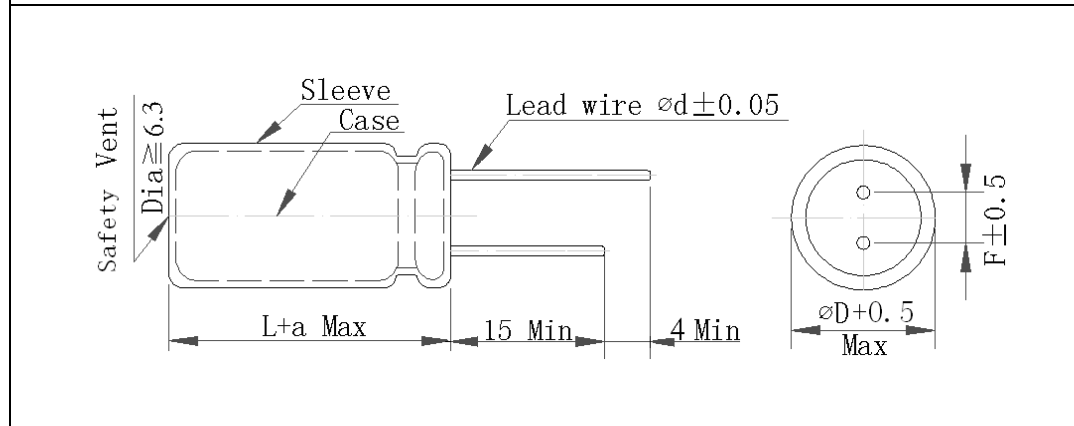
No.	CHINSAN Part No.	Customer Part No.	Capacitance (uF)	Tolerance On rated Capacitance (%)	Working Voltage (Vdc)	Surge Voltage (Vdc)	Category Temp Range (°C)	Tanδ @ 25°C (120Hz) (Max)	Leakage Current (uA) (2 min.)	Rated Ripple Current (mA rms) @ 105°C 120Hz	Rated Ripple Current (mA rms) @ 105°C 100kHz	Impedance @ 20°C (mΩ max/ 100kHz)	Endurance @ 105°C (Hours)	Dimensions (mm)					Appearance Drawing No
														DΦ	L	a	d	F	
1	EJ1V331MP51016F4U	/	330 μF	±20%	35 V	/	-55~+105	/	/	/	1210	60	4000	10	16	/	/	5	FIG-1
2	EJ1C681MP51016U	/	680 μF	±20%	16 V	/	-55~+105	/	/	/	1200	68	5000	10	16	/	/	5	FIG-1
3	EJ1H221MP51013RU	/	220 μF	±20%	50 V	/	-55~+105	/	/	/	950	130	5000	10	13	/	/	5	FIG-1
4	EJ1H470MP51009U	/	47 μF	±20%	50 V	/	-55~+105	/	/	/	520	500	5000	10	9	/	/	5	FIG-1

*Test leakage current before testing dissipation factor and capacitance during the electric characteristic test.

REMARKS:	APPROVED BY	CHECKED BY	PREPARED BY
1.Sleeve Color: Brown. 2.Suffix U indicates convex rubber cover.	张洪斌	曾爱娥	梁慧妍

Aluminum Electrolytic Capacitor

Customer	Digi-Key	SERIES	EJ	NO.:	PUBLISH DATE	2022-03-25
-----------------	-----------------	---------------	-----------	-------------	---------------------	-------------------



Original **FIG-1**

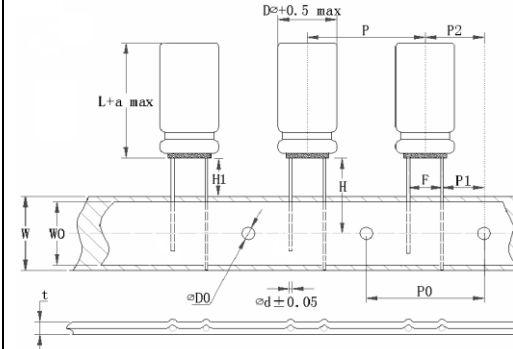
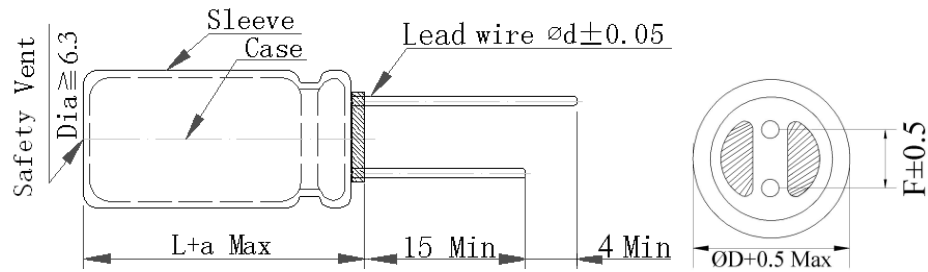
No.	CHINSAN Part No.	Customer Part No.	Capacitance (uF)	Tolerance On rated Capacitance (%)	Working Voltage (Vdc)	Surge Voltage (Vdc)	Category Temp Range (°C)	Tan δ @ 25°C (120Hz) (Max)	Leakage Current (uA) (2 min.)	Rated Ripple Current (mA rms) @ 105°C 120Hz	Rated Ripple Current (mA rms) @ 105°C 100kHz	Impedance @20°C (m Ω max/ 100kHz)	Endurance @ 105°C (Hours)	Dimensions (mm)					Appearance Drawing No
														D Φ	L	a	d	F	
1	EJ1V102MPH1025	/	1000 μ F	\pm 20%	35 V	/	-55~+105	/	/	/	2400	38	5000	10	25	/	/	5	FIG-1

※Test leakage current before testing dissipation factor and capacitance during the electric characteristic test.

REMARKS:	APPROVED BY	CHECKED BY	PREPARED BY
Sleeve Color: Brown.	张洪斌	曾爱娥	梁慧妍

Aluminum Electrolytic Capacitor

Customer	Digi-Key	SERIES	EJ	NO.:	PUBLISH DATE	2022-03-25
-----------------	-----------------	---------------	-----------	-------------	---------------------	-------------------



Unit (mm):

P=12.7±1.0	H=18.5±0.5
P0=12.7±0.2	W =18.0±0.5
P1=3.85±0.5	W0=12.5MIN
P2=6.35±1.0	ΦD0=4.0+0.2
F=5.0+0.8/-0.2	t=0.7±0.2
H1=9.5±1.0	

Original

FIG-1

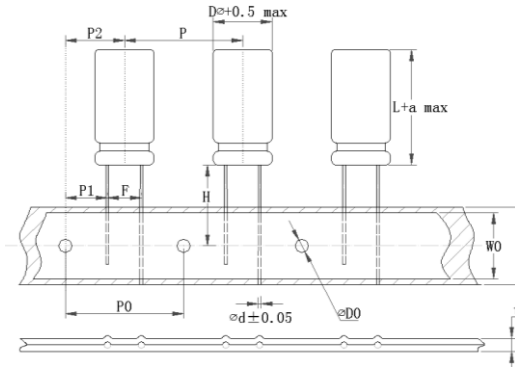
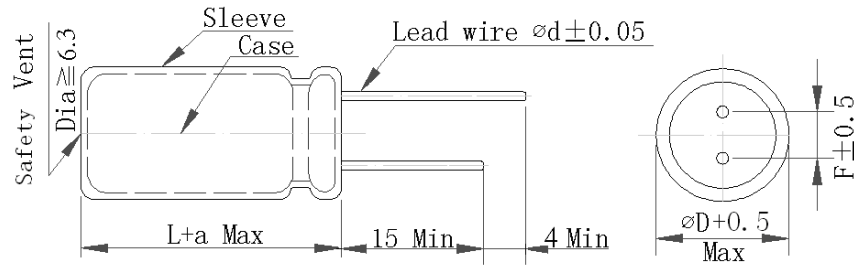
No.	CHINSAN Part No.	Customer Part No.	Capacitance (uF)	Tolerance On rated Capacitance (%)	Working Voltage (Vdc)	Surge Voltage (Vdc)	Category Temp Range (°C)	Tanδ @ 25°C (120Hz) (Max)	Leakage Current (uA) (2 min.)	Rated Ripple Current (mA rms) @ 105°C 120Hz	Rated Ripple Current (mA rms) @ 105°C 100kHz	Impedance @20°C (mΩ max/ 100kHz)	Endurance @ 105°C (Hours)	Dimensions (mm)					Appearance Drawing No
														DΦ	L	a	d	F	
1	EJ1J101MPN1012RU	/	100 μF	±20%	63 V	/	-55~+105	/	/	/	800	430	5000	10	12	/	/	5	FIG-1

※Test leakage current before testing dissipation factor and capacitance during the electric characteristic test.

REMARKS:	APPROVED BY	CHECKED BY	PREPARED BY
1.Sleeve Color: Brown. 2.Suffix U indicates convex rubber cover.	张洪斌	曾爱娥	梁慧妍

Aluminum Electrolytic Capacitor

Customer	Digi-Key	SERIES	EJ	NO.:	PUBLISH DATE	2022-03-25
-----------------	-----------------	---------------	-----------	-------------	---------------------	-------------------



Unit(mm):

P=12.7±1.0	H=18.5±0.5
P0=12.7±0.2	W=18.0±0.5
P1=3.85±0.5	W0=12.5MIN
P2=6.35±1.0	ΦD0=4.0±0.2
F=5.0+0.8/-0.2	t=0.7±0.2

Original

FIG-1

No.	CHINSAN Part No.	Customer Part No.	Capacitance (uF)	Tolerance On rated Capacitance (%)	Working Voltage (Vdc)	Surge Voltage (Vdc)	Category Temp Range (°C)	Tanδ @ 25°C (120Hz) (Max)	Leakage Current (uA) (2 min.)	Rated Ripple Current (mA rms) @ 105°C 120Hz	Rated Ripple Current (mA rms) @ 105°C 100kHz	Impedance @20°C (mΩ max/ 100kHz)	Endurance @ 105°C (Hours)	Dimensions (mm)					Appearance Drawing No
														DΦ	L	a	d	F	
1	EJ1C102MPN1016RF6P	/	1000 μF	±20%	16 V	/	-55~+105	/	/	/	1750	65	6000	10	16	/	/	5	FIG-1

※Test leakage current before testing dissipation factor and capacitance during the electric characteristic test.

REMARKS:	APPROVED BY	CHECKED BY	PREPARED BY
1.Sleeve Color: Brown. 2.Suffix P : indicates PET sleeve. 3.Suffix F6 indicates the life of the capacitor is 6000 hrs.	张洪斌	曾爱娥	梁慧妍

Aluminum Electrolytic Capacitor

Customer	Digi-Key	SERIES	EJ	NO.:	PUBLISH DATE	2022-03-25
----------	----------	--------	----	------	--------------	------------

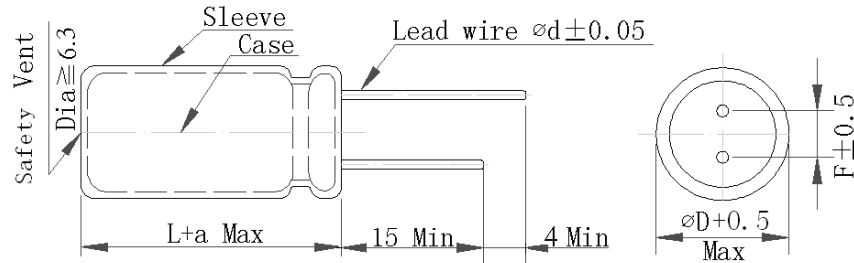


FIG-1

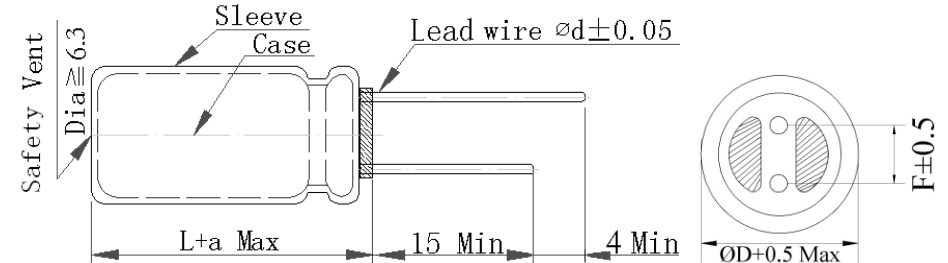


FIG-2

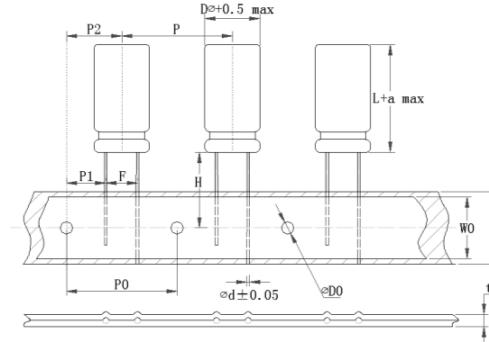
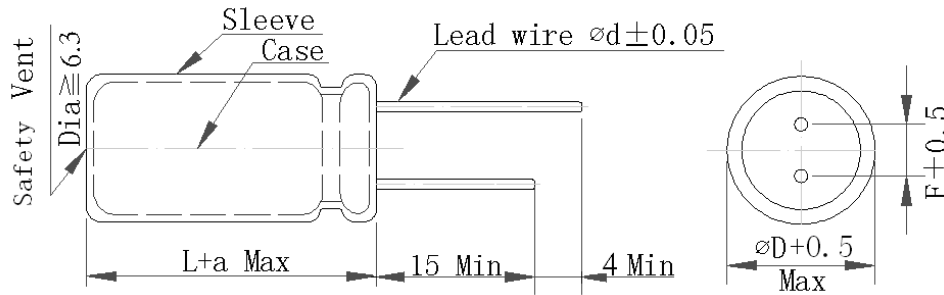
No.	CHINSAN Part No.	Customer Part No.	Capacitance (uF)	Tolerance On rated Capacitance (%)	Working Voltage (Vdc)	Surge Voltage (Vdc)	Category Temp Range (°C)	Tanδ @ 25°C (120Hz) (Max)	Leakage Current (uA) (2 min.)	Rated Ripple Current (mA rms) @ 105°C 120Hz	Rated Ripple Current (mA rms) @ 105°C 100kHz	Impedance @20°C (mΩ max/ 100kHz)	Endurance @ 105°C (Hours)	Dimensions (mm)					Appearance Drawing No
														DΦ	L	a	d	F	
1	EJ1J471MNN1230ERU	/	470 μF	±20%	63 V	/	-55~+105	/	/	/	2250	39	5000	12.5	30	/	/	5	FIG-2
2	EJ1C332MNN1235	/	3300 μF	±20%	16 V	/	-55~+105	/	/	/	2880	35	5000	12.5	35	/	/	5	FIG-1
3	EJ1J681MNN1240	/	680 μF	±20%	63 V	/	-55~+105	/	/	/	1180	70	5000	12.5	40	/	/	5	FIG-1
4	EJ1H102MNN1640E	/	1000 μF	±20%	50 V	/	-55~+105	/	/	/	1780	27	5000	16	40	/	/	7.5	FIG-1
5	EJ1V102MNN1620	/	1000 μF	±20%	35 V	/	-55~+105	/	/	/	2230	27	5000	16	20	/	/	7.5	FIG-1
6	EJ1H821MNN1820	/	820 μF	±20%	50 V	/	-55~+105	/	/	/	2150	36	5000	18	20	/	/	7.5	FIG-1

※Test leakage current before testing dissipation factor and capacitance during the electric characteristic test.

REMARKS:	APPROVED BY	CHECKED BY	PREPARED BY
1.Sleeve Color: Brown. 2.Suffix U indicates convex rubber cover.	张洪斌	曾爱娥	梁慧妍

Aluminum Electrolytic Capacitor

Customer	Digi-Key	SERIES	EJ	NO.:	PUBLISH DATE	2022-03-25
----------	----------	--------	----	------	--------------	------------



Unit(mm):

P=12.7±1.0

H=18.5±0.5

P0=12.7±0.2

W=18.0±0.5

P1=3.85±0.5

W0=12.5MIN

P2=6.35±1.0

ΦD0=4.0±0.2

F=5.0+0.8/-0.2

t=0.7±0.2

Original

FIG-1

No.	CHINSAN Part No.	Customer Part No.	Capacitance (uF)	Tolerance On rated Capacitance (%)	Working Voltage (Vdc)	Surge Voltage (Vdc)	Category Temp Range (°C)	Tanδ @ 25°C (120Hz) (Max)	Leakage Current (uA) (2 min.)	Rated Ripple Current (mA rms) @ 105°C 120Hz	Rated Ripple Current (mA rms) @ 105°C 100kHz	Impedance @20°C (mΩ max/ 100kHz)	Endurance @ 105°C (Hours)	Dimensions (mm)					Appearance Drawing No
														D Φ	L	a	d	F	
1	EJ1C102MP51016ER	/	1000 μF	±20%	16 V	/	-40~+105	/	/	/	1300	30	5000	10	16	/	/	5	FIG-1
2	EJ1C222MP51025E	/	2200 μF	±20%	16 V	/	-55~+105	/	/	/	2100	27	5000	10	25	/	/	5	FIG-1
3	EJ1C471MP51012	/	470 μF	±20%	16 V	/	-55~+105	/	/	/	840	/	5000	10	12	/	/	5	FIG-1
4	EJ1E471MP51016	/	470 μF	±20%	25 V	/	-55~+105	/	/	/	1210	60	5000	10	16	/	/	5	FIG-1
5	EJ1V152MNN1040	/	1500 μF	±20%	35 V	/	-55~+105	/	/	/	2880	60	5000	10	40	/	/	5	Original
6	EJ1V471MNN1020	/	470 μF	±20%	35 V	/	-55~+105	/	/	/	1400	150	5000	10	20	/	/	5	Original
7	EJ1V221MP51012	/	220 μF	±20%	35 V	/	-55~+105	/	/	/	1060	250	5000	10	12	/	/	5	FIG-1
8	EJ1H101MP51016	/	100 μF	±20%	50 V	/	-55~+105	/	/	/	707	900	5000	10	16	/	/	5	FIG-1
9	EJ2A271MNN1040	/	270 μF	±20%	100 V	/	-55~+105	/	/	/	2000	200	5000	10	40	/	/	5	Original

※Test leakage current before testing dissipation factor and capacitance during the electric characteristic test.

REMARKS:	APPROVED BY	CHECKED BY	PREPARED BY
Sleeve Color: Brown.	张洪斌	曾爱娥	梁慧妍